

DRUM FILTER OPERATING BY GRAVITY
MAXIMUM INLET WATER SPEED:
 0.8m/s
MAXIMUM HEAD LOSS:
 100mm
DISTANCE FOR MAINTENANCE:
 600mm all around the machine

APPROVED BY
 DATE:
 SIGNATURE:
 COMPANY STAMP:

NON CONTRACTUAL PLAN AMENDMENTS OF TECHNICAL DATA AS WELL AS OF MEASUREMENTS AND WEIGHTS SPECIFIED IN THIS DRAWING ARE RESERVED.
 PLAN NON CONTRACTUEL. LES COTES SONT DONNEES A TITRE INDICATIF, LA SOCIETE SE RESERVANT LE DROIT A TOUTE MODIFICATION EVENTUELLE.

| | | |
|--|--|--------------------------------|
| Echelle / Scale 1:6 | FILTRE SERIE 40 40 FILTER SERIE | Créé par : XF Le 05/06/2015 |
| Page 1/2 | | Matière |
|  FAIVRE ETS 7 Rue de l'Industrie 25110 Baume-Les-Dames | Ref. FT04000C LR 2205 | Révision ET |
| | Tel : +333.81.84.01.32 / Fax: +333.81.84.16.15 Mail: info@faivre.fr | Affaire |
| Format A3 | | Client |

*** AISI 2205: Euronorm 1.4462 Duplex Stainless Steel**

PVC BACKWASH RAMP

AISI 2205* FILTER DRUM

GEARED MOTOR

OUTLET PIPE Ø125

AISI 2205* MESH

AISI 2205* COVER

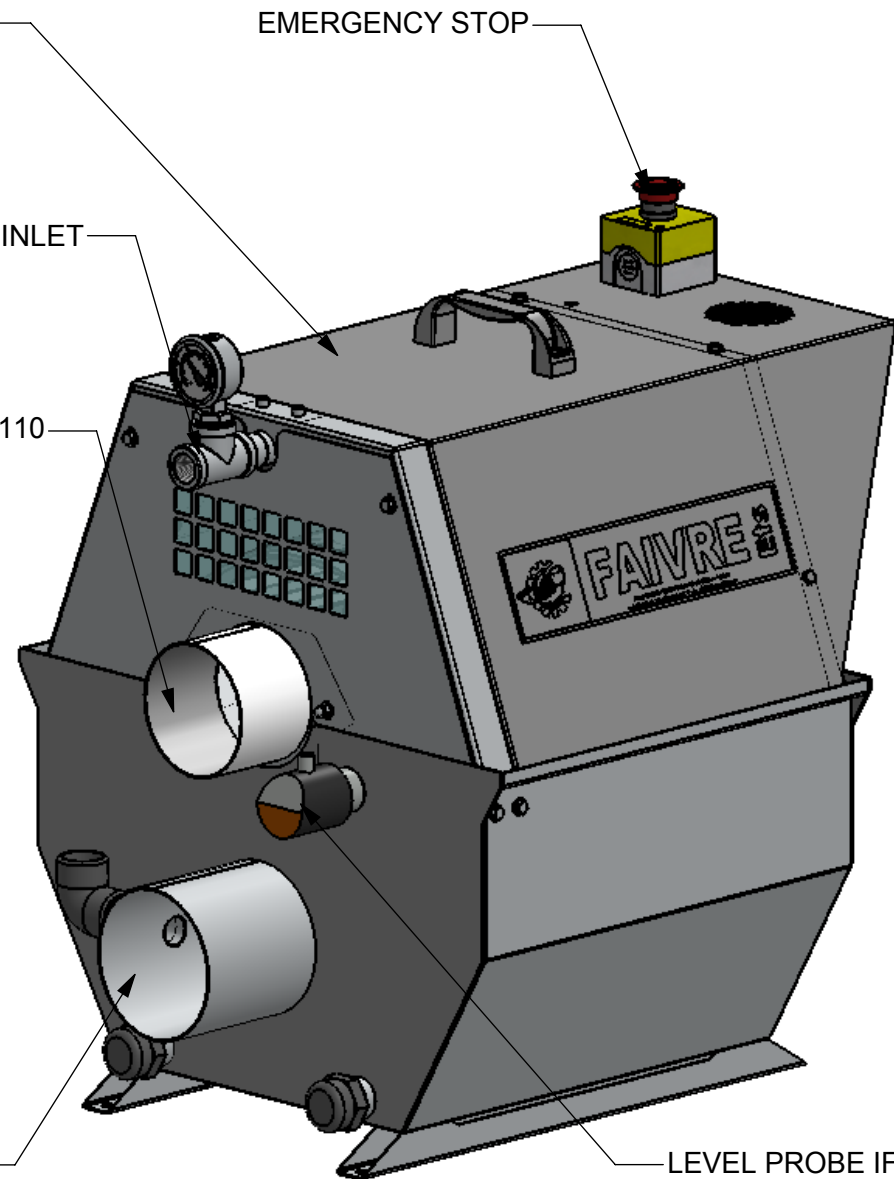
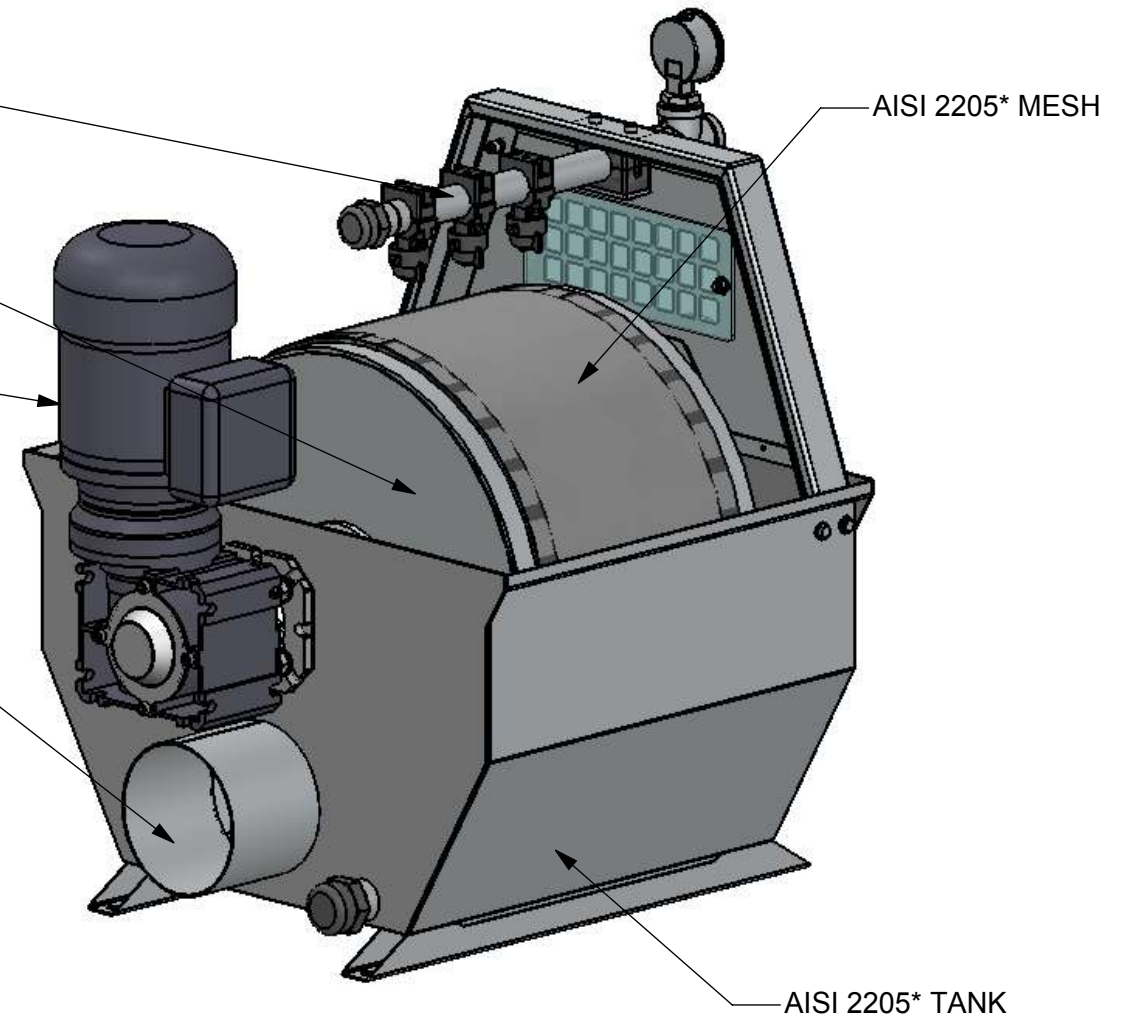
EMERGENCY STOP

BACKWASH RAMP INLET

SLUDGE OUTLET Ø110

INLET PIPE Ø125

LEVEL PROBE IFM LR7000



DRUM FILTER OPERATING BY GRAVITY
MAXIMUM INLET WATER SPEED:
 0.8m/s
MAXIMUM HEAD LOSS:
 100mm
DISTANCE FOR MAINTENANCE:
 600mm all around the machine

APPROVED BY
 DATE:
 SIGNATURE:
 COMPANY STAMP:

| | |
|-----------------|------------|
| Echelle / Scale | 1:6 |
| Page | 2/2 |
| Format | A3 |

FAIVRE ETS
 7 Rue de l'Industrie
 25110 Baume-Les-Dames

Tel : +333.81.84.01.32 / Fax: +333.81.84.16.15
 Mail: info@faivre.fr

FILTRE SERIE 40 40 FILTER SERIE

Ref. **FT04000C LR 2205**

Révision **ET**

Créé par : XF
 Le 05/06/2015
 Matière
 Masse
 Affaire
 Client

NON CONTRACTUAL PLAN AMENDMENTS OF TECHNICAL DATA AS WELL AS OF MEASUREMENTS AND WEIGHTS SPECIFIED IN THIS DRAWING ARE RESERVED.
 PLAN NON CONTRACTUEL. LES COTES SONT DONNEES A TITRE INDICATIF, LA SOCIETE SE RESERVANT LE DROIT A TOUTE MODIFICATION EVENTUELLE.