

DRUM FILTER OPERATING BY GRAVITY
MAXIMUM INLET WATER SPEED:
 0.8m/s
MAXIMUM HEAD LOSS:
 100mm
DISTANCE FOR MAINTENANCE:
 600mm all around the machine

APPROVED BY
DATE:
SIGNATURE:
COMPANY STAMP:

Echelle / Scale 1:6	FILTRE SERIE 40 40 FILTER SERIE	Créé par : XF Le 05/06/2015
Page 1/2		Matière
Format A3	FAIVRE ETS 7 Rue de l'Industrie 25110 Baume-Les-Dames Tel : +333.81.84.01.32 / Fax: +333.81.84.16.15 Mail: info@faivre.fr	Masse
		Ref. FT04000C LR 2507 Révision ET
		Client

NON CONTRACTUAL PLAN. AMENDMENTS OF TECHNICAL DATA AS WELL AS OF MEASUREMENTS AND WEIGHTS SPECIFIED IN THIS DRAWING ARE RESERVED.
 PLAN NON CONTRACTUEL. LES COTES SONT DONNEES A TITRE INDICATIF, LA SOCIETE SE RESERVANT LE DROIT A TOUTE MODIFICATION EVENTUELLE.

*** AISI 2507: Euronorm 1.4410 Duplex Stainless Steel**

PVC BACKWASH RAMP

AISI 2507* FILTER DRUM

GEARED MOTOR

OUTLET PIPE Ø125

AISI 2507* MESH

AISI 2507* COVER

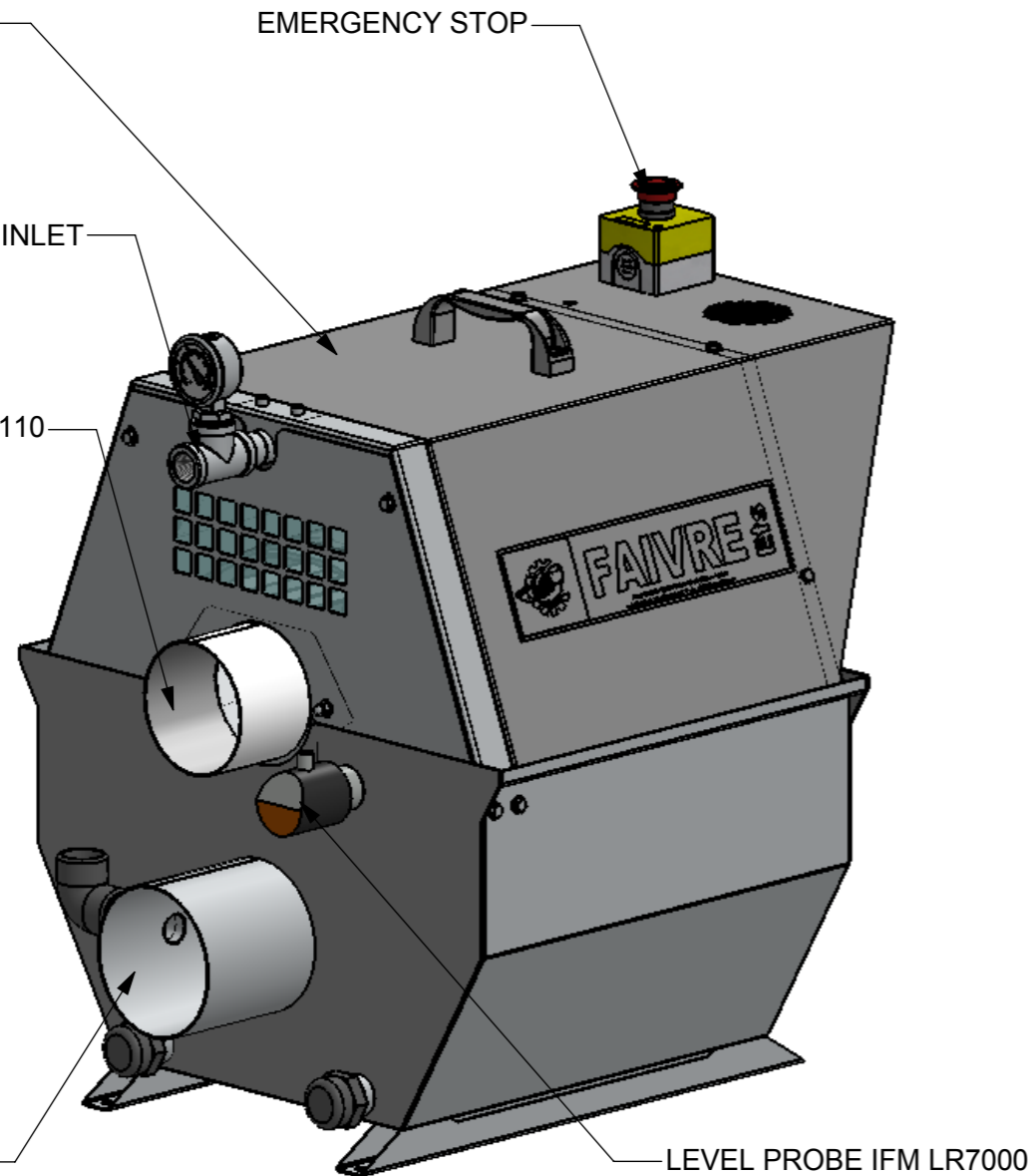
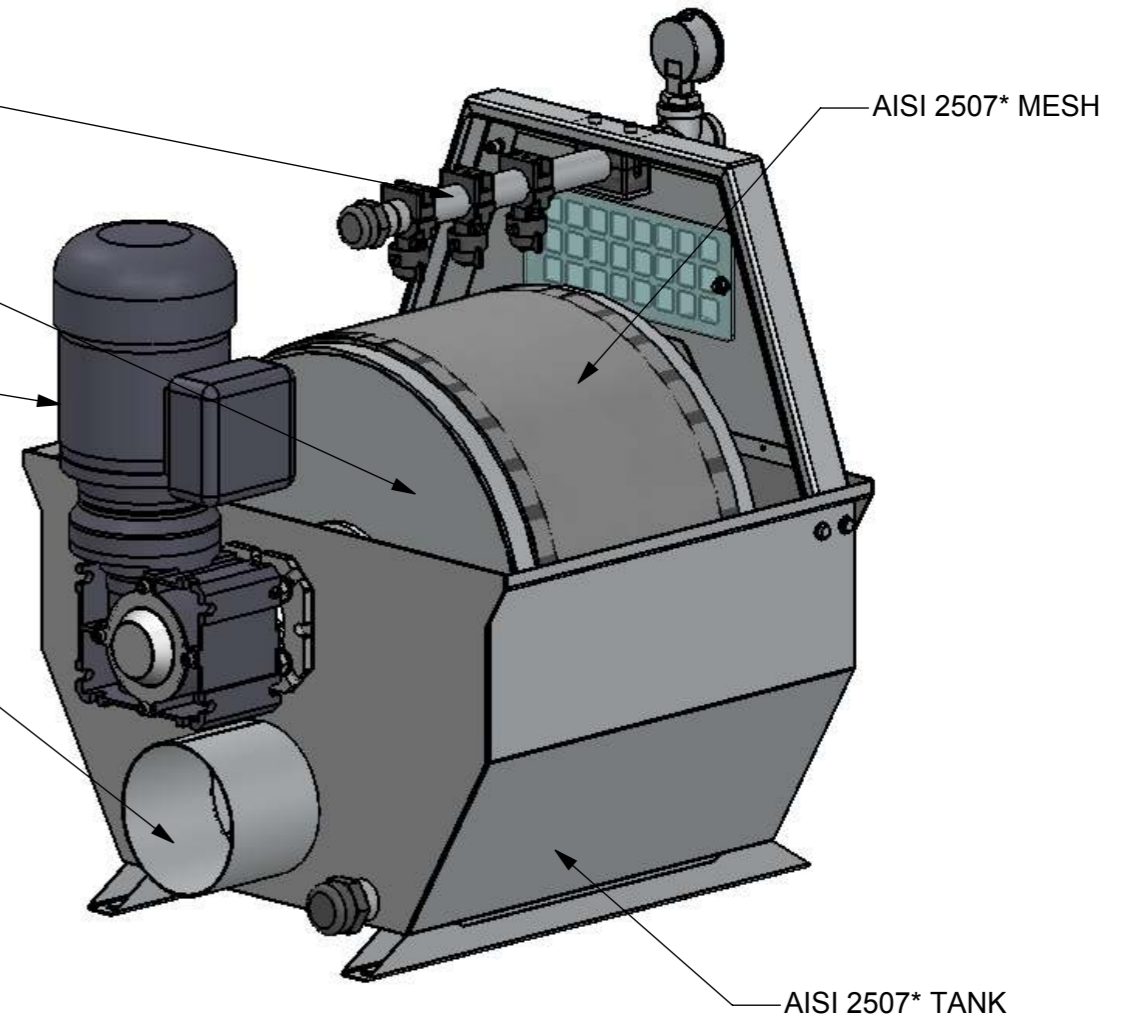
EMERGENCY STOP

BACKWASH RAMP INLET

SLUDGE OUTLET Ø110

INLET PIPE Ø125

LEVEL PROBE IFM LR7000



DRUM FILTER OPERATING BY GRAVITY
MAXIMUM INLET WATER SPEED:
 0.8m/s
MAXIMUM HEAD LOSS:
 100mm
DISTANCE FOR MAINTENANCE:
 600mm all around the machine

APPROVED BY
 DATE:
 SIGNATURE:
 COMPANY STAMP:

Echelle / Scale 1:6	FILTRE SERIE 40 40 FILTER SERIE		Créé par : XF Le 05/06/2015
Page 2/2			Matière
Format A3	FAIVRE ETS 7 Rue de l'Industrie 25110 Baume-Les-Dames	Ref. FT04000C LR 2507	Révision ET
	Tel : +333.81.84.01.32 / Fax: +333.81.84.16.15 Mail: info@faivre.fr		Affaire Client

NON CONTRACTUAL PLAN. AMENDMENTS OF TECHNICAL DATA AS WELL AS OF MEASUREMENTS AND WEIGHTS SPECIFIED IN THIS DRAWING ARE RESERVED.
 PLAN NON CONTRACTUEL. LES COTES SONT DONNEES A TITRE INDICATIF, LA SOCIETE SE RESERVANT LE DROIT A TOUTE MODIFICATION EVENTUELLE.