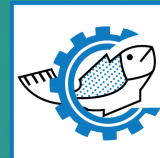
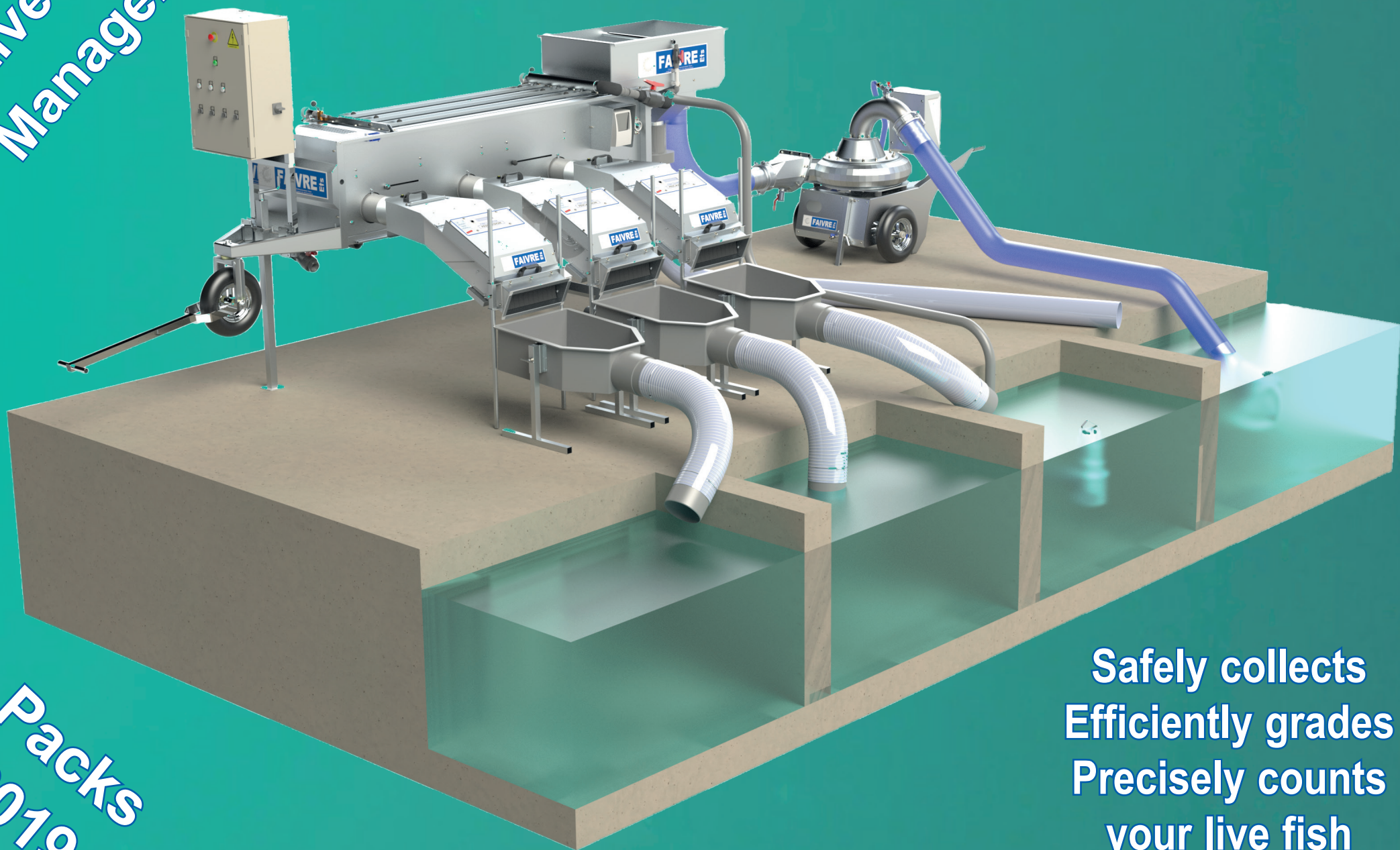


Live stock  
Management



**FAIVRE**



Packs  
2019

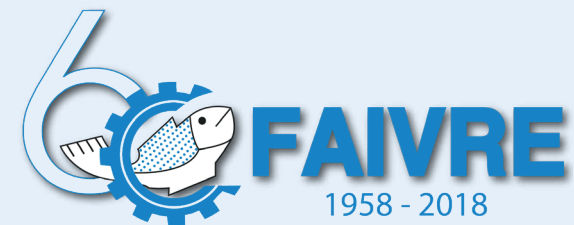
Safely collects  
Efficiently grades  
Precisely counts  
your live fish

# Machines and people at the service of fish farming



FAIVRE Company has established a reputation due to the reliability, the quality of its products and its ability to innovate and adapt to the needs of fish farmers.

Since 1958,  
Faivre story is ongoing.



*Claude FAIVRE, founder of the company in 1958*

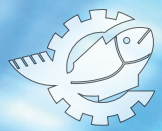




# Summary

	Page
<b>Live grading packs board.....</b>	<b>4</b>
<b>Live stock management product range.....</b>	<b>5</b>
<b>Nursery packs .....</b>	<b>6</b>
<b>Smolt pack.....</b>	<b>15</b>
<b>Grow out packs.....</b>	<b>19</b>
<b>Harvesting packs.....</b>	<b>40</b>
<b>Fittings and pipes .....</b>	<b>52</b>

# Live grading packs Board



## Why buy a full pack?

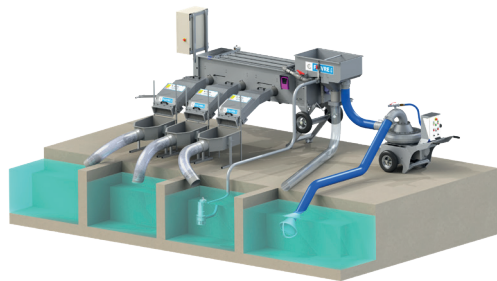
This ensures that all your equipment will be compatible with each other.

The fish pump will be adapted to the size and speed of the grader and the counters will also be adapted to size and speed of the grader.

Power supply is centralized, all machines are plugged to a unique control box.

The assembly is supplied with all the connecting elements to operate at commissioning.

All packs are given as an example and can be modified according to the needs of the customer.



### Nursery packs



Weight (g) mini - max	Weight (g) mini - max	Weight (g) mini - max	Weight (g) mini - max	Fish per hour	Pescamotion 6 Red 6->4 PH0602	Helios 10 TH105	Helios 100 TH108	PescaSight 15 PESIG15	Pescavision 10 PESCA10	Reception Tank CBRC200	Control box THC002	Water Pump TPOW106T5 TPOW306T5	Page
5 - 150	5 - 120	5 - 80	5 - 120	**	●	●			x4	x4	●	●	P8
0,8 - 50	0,8 - 50	0,8 - 50	0,8 - 50	**	●	●		x4		x4	●	●	P10
5 - 150	5 - 120	5 - 80	5 - 120	***	●		●		x4	x4	●	●	P12

### Super Smolt pack



Weight (g) mini - max				Fish per hour	Pescamotion 8 PH0801	Helios 4000 TH4010	Pescavision 30 PESCA30	Pescavision 50 PESCA50	Reception Tank CBRC200	Control box THC002	Water Pump TPOW506T50	Page
40 - 1200				***	●	●	x3	x1	x4	●	●	P13

### Grow Out packs



Weight (g) mini - max	Weight (g) mini - max	Weight (g) mini - max	Weight (g) mini - max	Fish per hour	Pescamotion 6 PH0602	Pescavac 8 PV0801	Pescamotion 8 PH0802	Helios 30 TH303	Helios 40 TH403	Heliovision 40 TC40	Helios 400 TH405	Pescavision 30 PESCA30	Pescavision 50 PESCA50	Reception Tank CBRC200	Control box THC002	Water Pump TPOW306T5 TPOW406T5	Page
40 - 700	30 - 500	40 - 500	40 - 500	*	●			●				x3	-	x3	●	●	P22
40 - 700	30 - 500	40 - 500	40 - 500	**	●				●			x4	-	x4	●	●	P24
40 - 700	30 - 500	40 - 500	40 - 500	**	●					●			Integrated	-	●	●	P26
40 - 700	30 - 500	40 - 500	40 - 500	***	●						●	x4	-	x4	●	●	P28
40 - 1500	30 - 800	40 - 800	40 - 800	**		●				●			Integrated	-	●	●	P30
40 - 1500	30 - 800	40 - 800	40 - 800	**		●			●			x1	x3	x4	●	●	P32
40 - 1500	30 - 800	40 - 800	40 - 800	***		●					●	x2	x2	x4	●	●	P34
40 - 1500	30 - 800	40 - 800	40 - 800	**			●			●			Integrated		●	●	P36
40 - 1500	30 - 800	40 - 800	40 - 800	**			●		●			x1	x3	x4	●	●	P38
40 - 1500	30 - 800	40 - 800	40 - 800	***			●				●	x2	x2	x4	●	●	P40

### Harvesting packs



Weight (g) mini - max	Weight (g) mini - max	Weight (g) mini - max	Weight (g) mini - max	Fish per hour	Pescavac 8 PV0801	Pescamotion 8 PH0802	Helios 50 TH50R3	Heliovision 50 TC50	Helios 60 TH602	Helios 600 TH603	Pescavision 30 PESCA30	Pescavision 50 PESCA50	Reception Tank CBRC250	Control box THC002	Water Pump TPOW506T5	Page
40 - 2500	30 - 1500	40 - 1500	40 - 1500	**		●	●				x1	x2	x3	●	●	P44
40 - 2500	30 - 1500	40 - 1500	40 - 1500	***	●			●				Integrated	-	●	●	P46
400 - 3500	300 - 2500	300 - 2500	400 - 2500	**	●				●			x3	x3	●	●	P48
400 - 3500	300 - 2500	300 - 2500	400 - 2500	***	●					●		x3	x3	●	●	P50



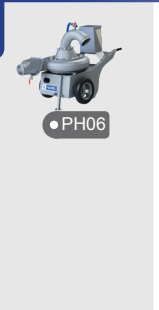
Nursery

Grow Out

Harvesting

**Fish pump**  
Pescamotion- Pescavac

**PESCAMOTION**  
Fish pump  
**PESCAVAC**  
Fish pump



**Fish grader**  
Helios

**HELIOS**  
Life Fish Grader

Standard

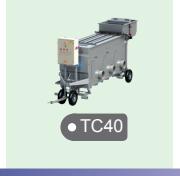


High capacity



**Grader counter**  
Heliovision

**HELIOVISION**  
FISH GRADER



**Fish counter**  
Pescavision

**PescaVISION**  
FISH COUNTER  
**Pescasight**  
FISH COUNTER



All packs are given as an example and can be modified according to the customer needs



# Nursery Packs







# Nursery packs

## Why buy a full Nursery pack?

This ensures that all your equipment will be compatible with each other.

We have 2 packs with different hourly flow :

You just need to choose the right Nursery pack for your farm.

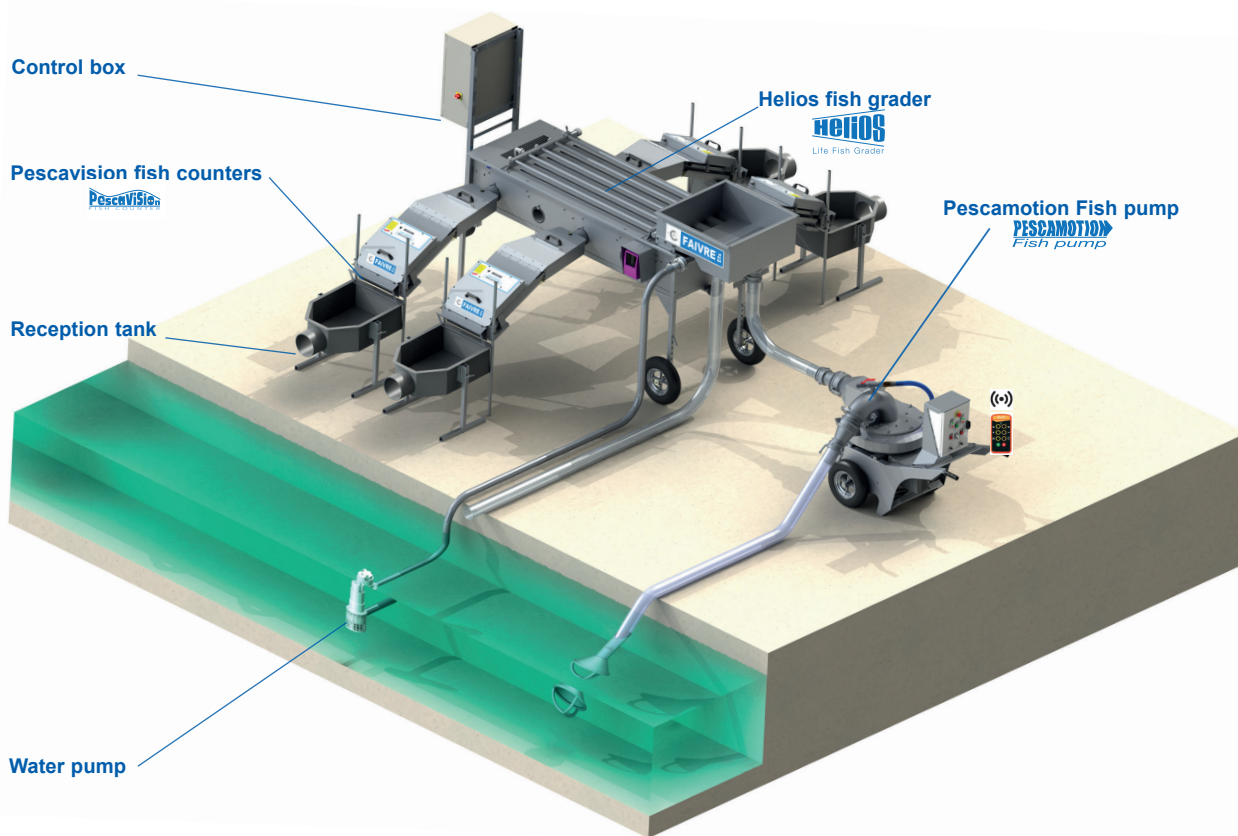
**PESCAMOTION**  
Fish pump



**HELIOS**  
Life Fish Grader



**PescaVISION**  
FISH COUNTER



**1**

**Standard**  
Page 8

**5g to 150g - 1000 kg/hour**

**4 sizes :**

- 1 Fish pump Pescamotion Plus 6-4 (3g to 250g)
- 2 6" F to 4" M reduction unit PH061102
- 1 Grader Helios 10 (1g-120g)
- 1 Water pump 20m<sup>3</sup>/h
- 1 Control box
- 4 Fish counters PescaVision 10 (5g-150g)
- 4 Reception tanks CBRC200

Fresh and Sea water pack      Ref : PACN-STD16

**2**

**Sight**  
Page 10

**0,8g to 20g - 1000 kg/hour**

**4 sizes :**

- 1 Fish pump Pescamotion Plus 6-4 (3g to 250g)
- 2 6" F to 4" M reduction unit PH061102
- 1 Grader Helios 10 (0,8g-120g)
- 1 Water pump 20m<sup>3</sup>/h
- 1 Control box
- 4 Fish counters PescaSight 15 (0,2g-20g)
- 4 Reception tanks CBRC200

Fresh and Sea water pack      Ref : PACN-SIGHT16

**3**

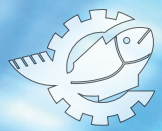
**Fast**  
Page 12

**5g to 150g - 1500 kg/hour**

**4 sizes :**

- 1 Fish pump Pescamotion Plus 6-4 (3g to 250g)
- 2 6" F to 4" M reduction unit PH061102
- 1 Grader Helios 100 (1g-120g)
- 1 Water pump 30m<sup>3</sup>/h
- 1 Control box
- 4 Fish counters PescaVision 10 (5g-150g)
- 4 Reception tanks CBRC200

Fresh and Sea water pack      Ref : PACN-FAST16



## 1 Standard Pack

1000 kg/hour

### 4 sizes :

- 1 Fish pump Pescamotion Plus 6-4" (3g-250g)
- 2 6" F to 4" M reduction unit PH061102
- 1 Grader Helios 10 (1g-120g) / 5 Channel Counter
- 1 Water pump 20m<sup>3</sup>/h
- 1 Control box THC002
- 4 Fish counters PescaVision 10 (5g-150g)
- 4 Reception tanks CBRC 200

Fresh and Sea water pack  
Ref : PACN-STD16

5g to 150g



Trout / Salmon

5g to 120g



Tilapia

5g to 80g

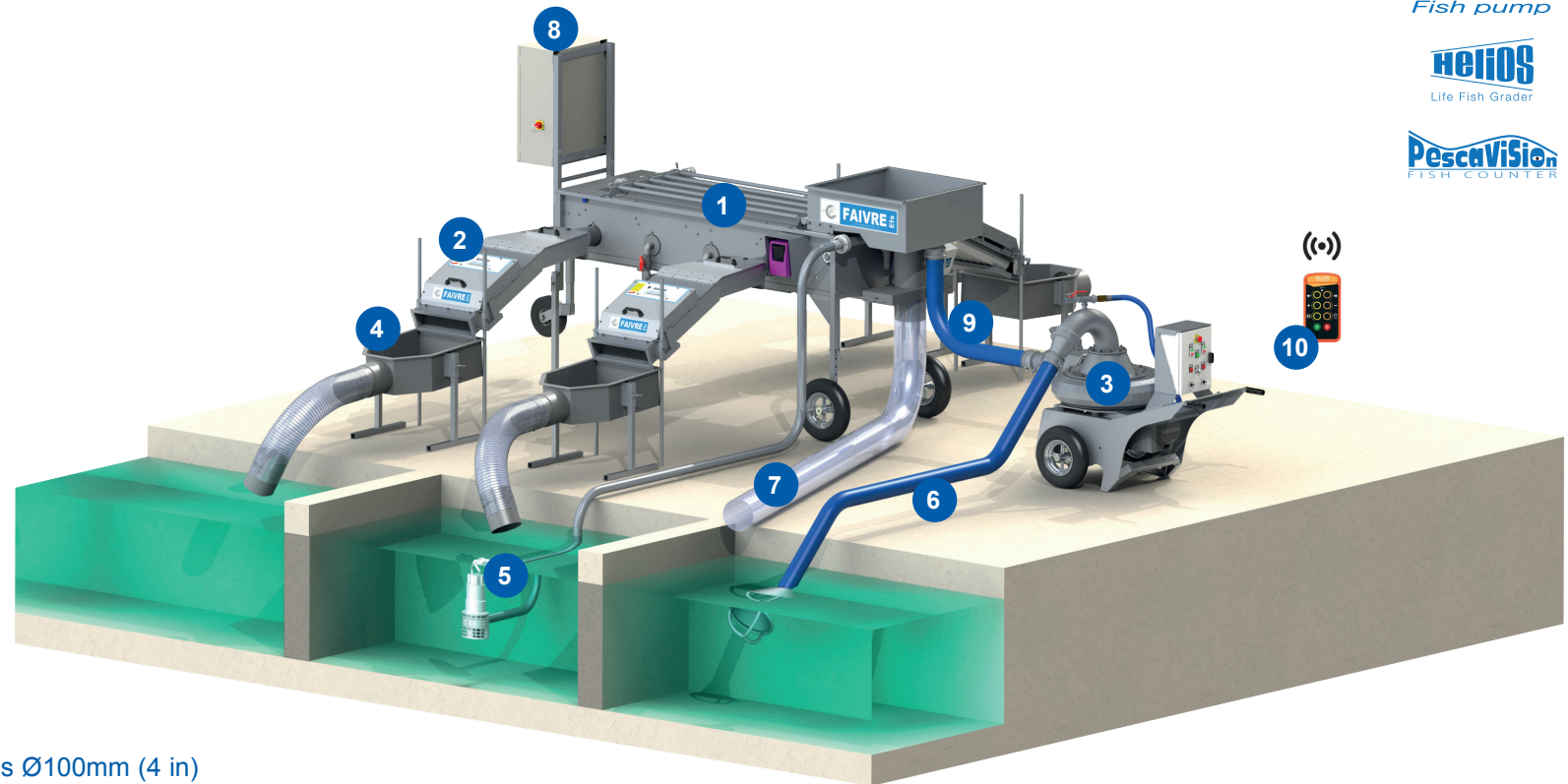


Sea Bream

5g to 120g



Sea Bass



**PESCAMOTION**  
Fish pump

**HELIOS**  
Life Fish Grader

**PescaVision**  
FISH COUNTER

- 1 1 Fish grader Helios 10
- 2 4 Fish counters PescaVision 10
- 3 1 Fish pump Pescamotion 6 Plus
- 4 4 Reception tanks outlet Ø200mm
- 5 1 Submersible water pump 20m<sup>3</sup>/h
- 6 4 m «Spiraliss» suction flexible pipes Ø100mm (4 in)
- 7 5 m dewatering pipes Ø 150mm (6 in)
- 8 1 Control box
- 9 6 m «Spiraliss» discharge flexible pipes Ø100mm (4 in)
- 10 Fish pump remote control



8

Electrical box to plug fish pump counters and water pump  
Ref. (3x400v 50/60Hz) : THC002  
Ref. (3x230v 50/60Hz) : THC006



5

Submersible water pump delivered with 5m of flexible pipe and storz fittings to plug at grader  
Ref. (Sea water 316L) : TPOW1016T5



## • Pescamotion 6 Plus



### • Specifications

Fish pump model	<b>PESCAMOTION 6 Plus</b>
Main drive motor:	3kW 400V 3ph 50Hz
Prime control:	Frequency variator
Prime drive motor:	0,3kW 400V 3ph 50Hz
Inlet Ø:	(152mm) 6" male camlock
Outlet Ø:	(152mm) 6" male camlock
Total dynamic head	12m - 40ft (3m suction and 9m discharge)
Fish size max.:	700 g Trouts/Salmon
Pump speed:	200 to 540 rpm
Water flow:	232 m3/h - 1021 gpm
Dimensions (m)	1.76 L x 0.86 l x 1.06 H 70 in L x 34 in W x 42 in H
Reference (fresh and sea water)	PH0602

## • Pescavision 10



### • Specifications

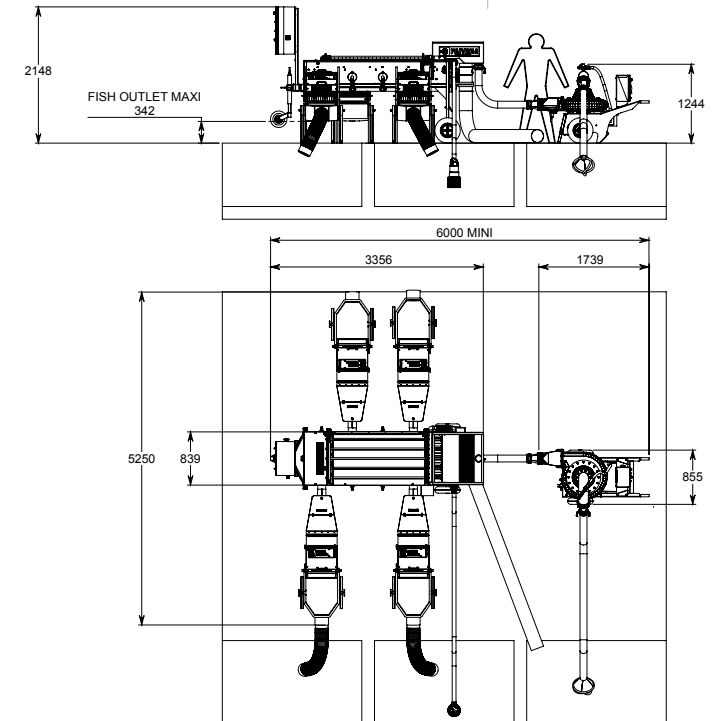
Fish counter model	<b>PESCAVISION 10</b>	
Fish species	Trouts Salmons	Bass/Bream/Tilapia/ Carps/Perch
Fish from	5g to 150	5g to 100g
Capacity (maxi)	1,5T/h 35.000fish/ hour	1,5T/h 35.000fish/ hour
Channels number	8	8
Channels width	50mm	50mm
Connection diameter	160mm	160mm
Accuracy	98% - 100%	98% - 100%
Dimensions	1,3x0,4x0,5m	
Reference (fresh and sea water)	PESCA10	

## • Helios 10



### • Specifications

Grader model	<b>HELIOS 10</b>
Nbr of channels	5
Nbr of size	4
Length of grading channels(mm)	1600
Max. channels opening (mm)	28
Nbr of outlets Ø (mm)	8xØ125
Weight min.-max. Trout/Salmon	1g - 120g
Weight min.-max. Bass/Bream/Tilapia/Carp	0,8g - 80g
Hourly rate (tons/hour)	1
Dimensions (m)	3,3x1,00
Height (m)	1,40
Reference (Sea water 316L)	TH1056

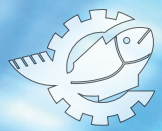


### • Power ratings and weights summary

Machines	Power	Weight
Fish grader Helios 10	0,25 kw	260 kg - 445 lbs
Fish pump Pescamotion 6 plus	4 kw	202 kg - 445 lbs
Fish counter (one unit)	0,05 kw	24 kg - 53 lbs
Water pump 20 m3/h	0,55 kw	20 kg - 44 lbs

All packs are given as an example and can be modified according to the customer needs





## 2 Sight Pack

1000 kg/hour

4 sizes :

- 1 Fish pump Pescamotion 6 plus 4" (3g-250g)
- 2 6»F to 4»M reduction unit PH061102
- 1 Grader Helios 10 (0,8g-120g) / 5 Channel Counter
- 1 Water pump 20m3/h
- 1 Control box THC002
- 4 Fish counters Pescasight 15 (0,2g-20g)
- 4 Reception tanks ref : CBRC 200

Fresh and Sea water pack  
Ref : PACN-SIGHTI6

0,8g to 20g



Trout / Salmon

0.5g to 20g



Tilapia

0.8g to 20g



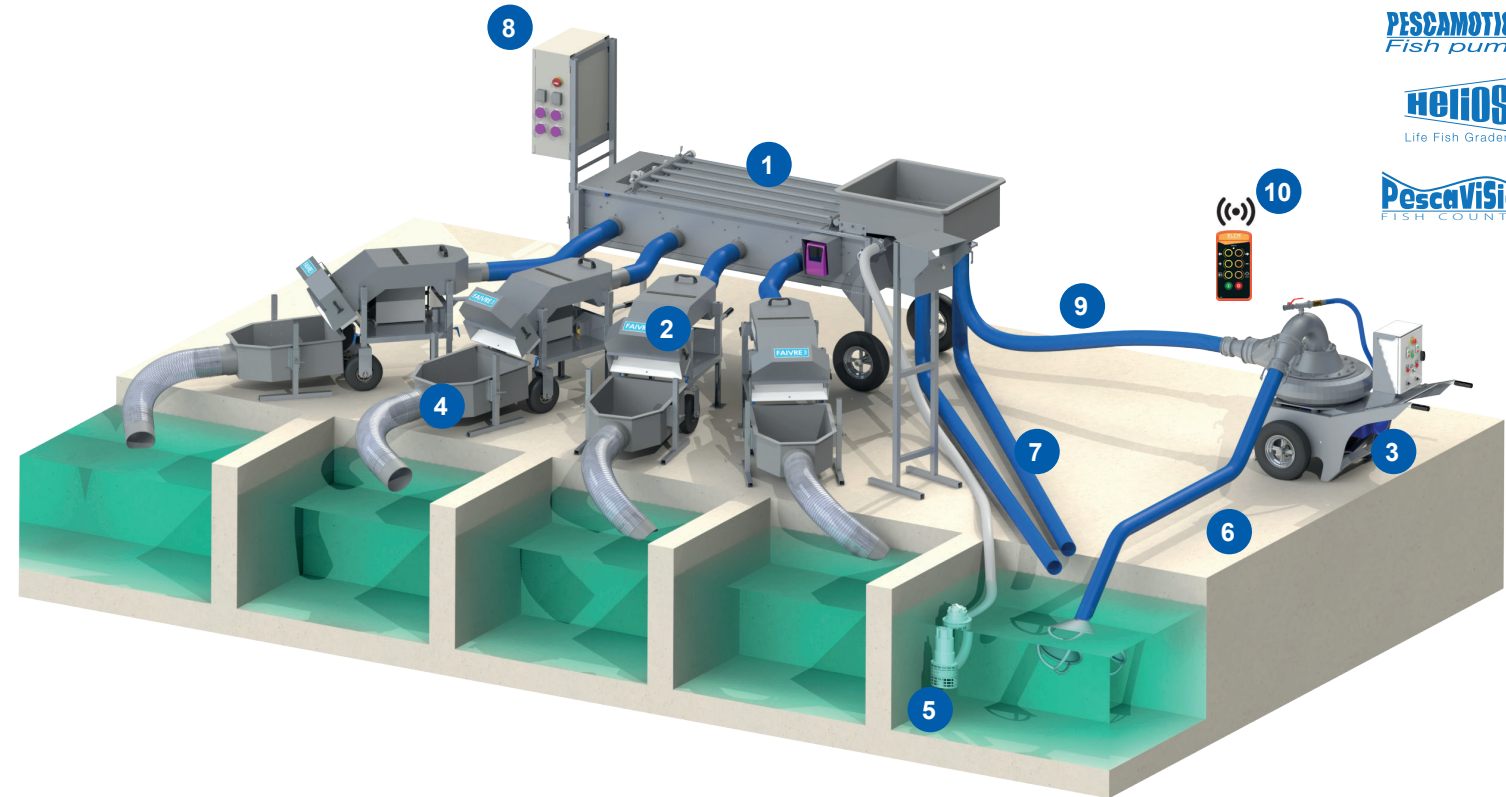
Sea Bream

0.8g to 20g



Sea Bass

- 1 1 Fish grader Helios 10
- 2 4 Fish counters Pescasight 15
- 3 1 Fish pump Pescamotion 6 Plus
- 4 4 Reception tanks outlet Ø200mm
- 5 1 Submersible water pump 20m3/h
- 6 4 m «Spiraliss» suction flexible pipes Ø100mm (4 in)
- 7 5 m dewatering pipes Ø 150mm (6 in)
- 8 1 Control box
- 9 6 m «Spiraliss» discharge flexible pipes Ø100mm (4 in)
- 10 Fish pump remote control



**PESCAMOTION**  
Fish pump

**HELIOS**  
Life Fish Grader

**PescaVision**  
FISH COUNTER



8

Electrical box to plug fish pump counters and water pump  
Ref. (3x400v 50/60Hz) : THC002  
Ref. (3x230v 50/60Hz) : THC006



5

Submersible water pump delivered with 5m of flexible pipe and storz fittings to plug at grader  
Ref. (Sea water 316L) : TPOW2016T5



● **Pescamotion 6 Plus**



● **Specifications**

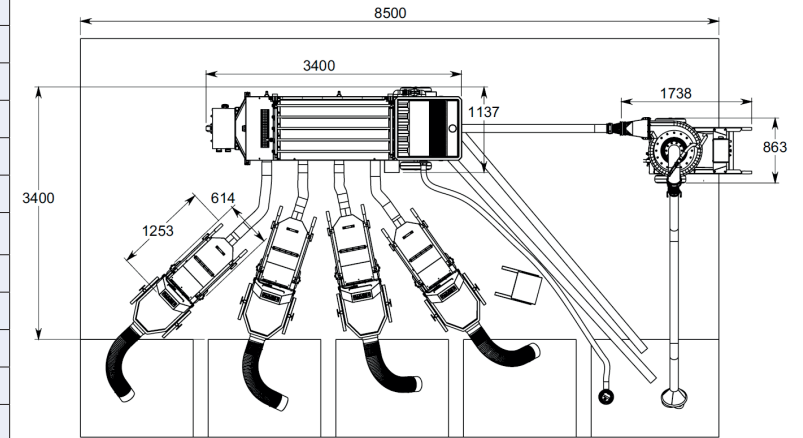
<b>Fish pump model</b>	<b>PESCAMOTION 6 Plus</b>
Main drive motor:	3kW 400V 3ph 50Hz
Prime control:	Frequency variator
Prime drive motor:	0,3kW 400V 3ph 50Hz
Inlet Ø:	(152mm) 6" male camlock
Outlet Ø:	(152mm) 6" male camlock
Total dynamic head	12m (3m suction and 9m discharge)
Fish size max.:	700 g Trouts/Salmon
Pump speed:	200 to 540 rpm
Water flow:	232 m3/h - 1021 gpm
Dimensions (m)	1.76 L x 0.86 l x 1.06 H 70 in L x 34 in W x 42 in H
Reference (fresh and sea water)	PH0602

● **Helios 10**



● **Specifications**

<b>Grader model</b>	<b>HELIOS 10</b>
Nbr of channels	5
Nbr of size	4
Length of grading channels(mm)	1600
Max. channels opening (mm)	28
Nbr of outlets Ø (mm)	8xØ125
Weight min.-max. Trout/Salmon	1g - 120g
Weight min.-max. Bass/Bream/Tilapia/Carp	0,8g - 80g
Hourly rate (tons/hour)	1
Dimensions (m)	3,3x1,00
Height (m)	1,40
Reference (Sea water 316L)	TH1056

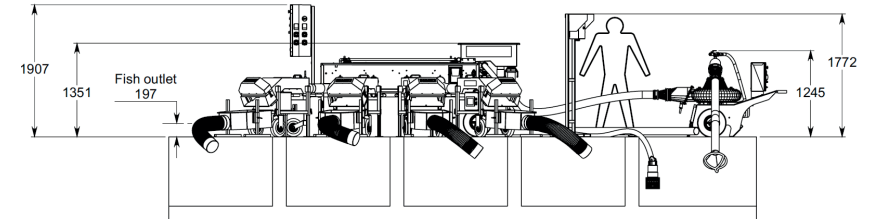


● **Pescasight 15**



● **Specifications**

<b>Fish counter model</b>	<b>PESCASIGHT 15</b>	
<b>Fish species</b>	Trouts Salmons	Bass/Bream/Tilapia/ Carps/Perch
<b>Fish from</b>	0.2g to 20g	0.2g to 20g
<b>Capacity (maxi)</b>	1,5T/h 600.000 fish/hour	1,5T/h 600.000 fish/hour
<b>Channels number</b>	1	1
<b>Channels width</b>	400mm	400mm
<b>Connection diameter</b>	125mm	125mm
<b>Accuracy</b>	98% - 100%	98% - 100%
<b>Weight</b>	Approx. 75kg	
<b>Voltage</b>	1 x 220V Singlephase	
<b>Reference (fresh and sea water)</b>	PESIG15	

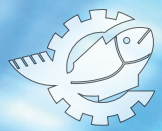


● **Power ratings and weights summary**

<b>Machines</b>	<b>Power</b>	<b>Weight</b>
Fish grader Helios 10	0,25 kw	260 kg - 445 lbs
Fish pump Pescamotion 6 plus	4 kw	202 kg - 445 lbs
Fish counter (one unit)	0,05 kw	75 kg - 53 lbs
Water pump 20 m3/h	0,55 kw	20 kg - 44 lbs

All packs are given as an example and can be modified according to the customer needs





## 3 Fast Pack

1500 kg/hour

### 4 sizes :

- 1 Fish pump Pescamotion Plus 6-4" (3g-250g)
- 2 6"F to 4"M reduction unit PH061102
- 1 Grader Helios 100 (1g-120g) / 8 Channel Counter
- 1 Water pump 30m3/h
- 1 Control box
- 4 Fish counters PescaVision 10 (5g-150g)
- 4 Reception tanks CBRC200

Fresh and Sea water pack  
Ref : PACN-FAST16

5g to 150g



Trout / Salmon

5g to 120g



Tilapia

5g to 80g



Sea Bream

5g to 120g

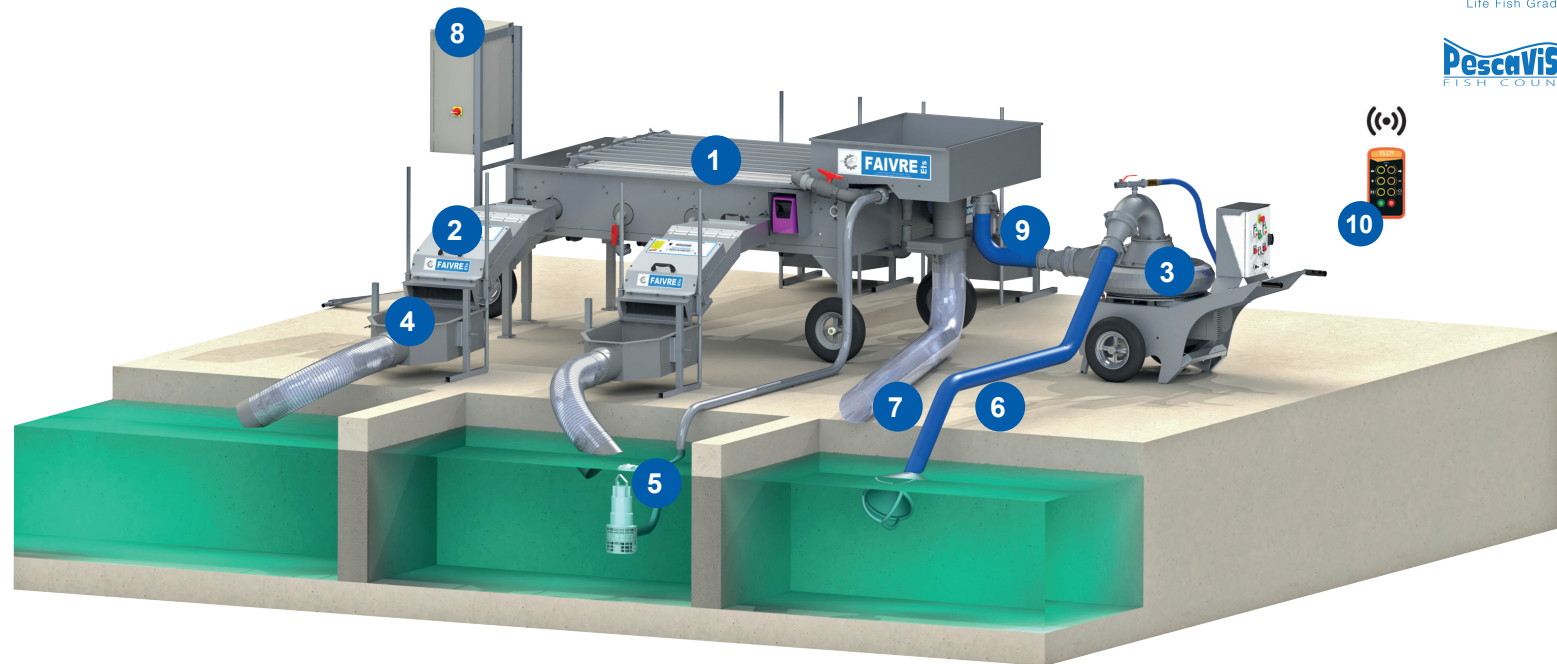


Sea Bass

PESCAMOTION  
Fish pump

HELIOS  
Life Fish Grader

PescaVISION  
FISH COUNTER



- 1 1 Fish grader Helios 100
- 2 4 Fish counters PescaVision 10
- 3 1 Fish pump Pescamotion 6 Plus
- 4 4 Reception tanks outlet Ø200mm
- 5 1 Submersible water pump 30m3/h
- 6 4 m «Spiraliss» suction flexible pipes Ø100mm (4 in)
- 7 5 m dewatering pipes Ø 150mm (6 in)
- 8 1 Control box
- 9 6 m «Spiraliss» discharge flexible pipes Ø100mm (4 in)
- 10 Fish pump remote control



8

Electrical box to plug fish pump counters and water pump  
Ref. (3x400v 50/60Hz) : THC002  
Ref. (3x230v 50/60Hz) : THC006



5

Submersible water pump delivered with 5m of flexible pipe and storz fittings to plug at grader  
Ref. (Sea water 316L) : TPOW3016T5

## ● Pescamotion 6 Plus



### ● Specifications

Fish pump model	<b>PESCAMOTION 6 Plus</b>
Main drive motor:	3kW 400V 3ph 50Hz
Prime control:	Frequency variator
Prime drive motor:	0,3kW 400V 3ph 50Hz
Inlet Ø:	(152mm) 6" male camlock
Outlet Ø:	(152mm) 6" male camlock
Total dynamic head	12m - 40ft (3m suction and 9m discharge)
Fish size max.:	700 g Trouts/Salmon
Pump speed:	200 to 540 rpm
Water flow:	232 m3/h - 1021 gpm
Dimensions (m)	1.76 L x 0.86 l x 1.06 H 70 in L x 34 in W x 42 in H
Reference (fresh and sea water)	PH0602

## ● Pescavision 10



### ● Specifications

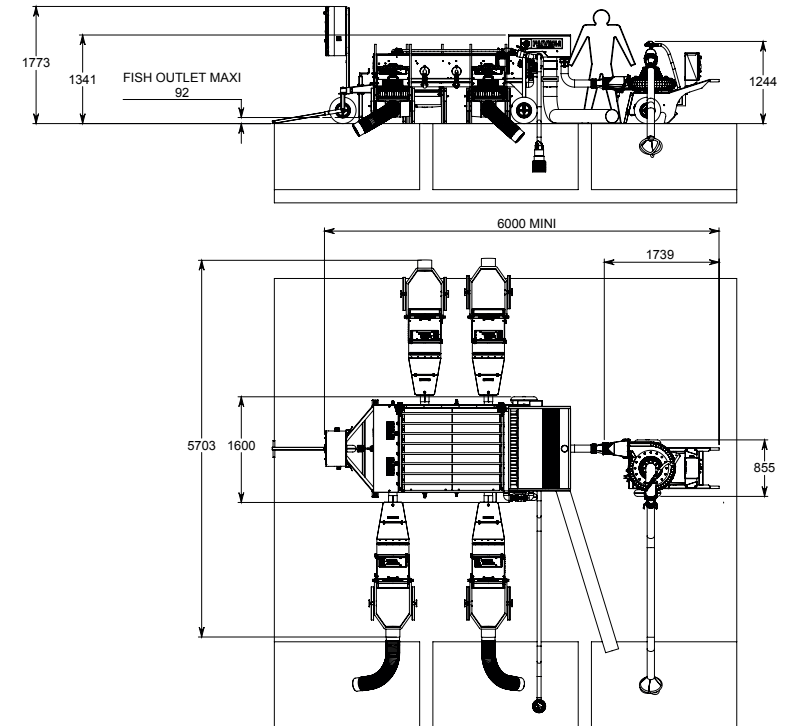
Fish counter model	<b>PESCAVISION 10</b>	
Fish species	Trouts Salmons	Bass/Bream/Tilapia/ Carps/Perch
Fish from	5g to 150	5g to 100g
Capacity (maxi)	1,5T/h 35.000fish/ hour	1,5T/h 35.000fish/ hour
Channels number	8	8
Channels width	50mm	50mm
Connection diameter	160mm	160mm
Accuracy	98% - 100%	98% - 100%
Dimensions	1,3x0,4x0,5m	
Reference (fresh and sea water)	PESCA10	

## ● Helios 100



### ● Specifications

Grader model	<b>HELIOS 100</b>
Nbr of channels	8
Nbr of size	4
Lenght of grading channels(mm)	1600
Max. channels opening (mm)	28
Nbr of outlets Ø (mm)	8xØ125
Weight min.-max. Trout/Salmon/	1g - 120g
Weight min.-max. Bass/Bream/Tilapia/Carp	0,8g - 80g
Hourly rate (tons/hour)	1,5
Dimensions (m)	3,3x1,58
Height (m)	1,40
Reference (Sea water 316L)	TH1086



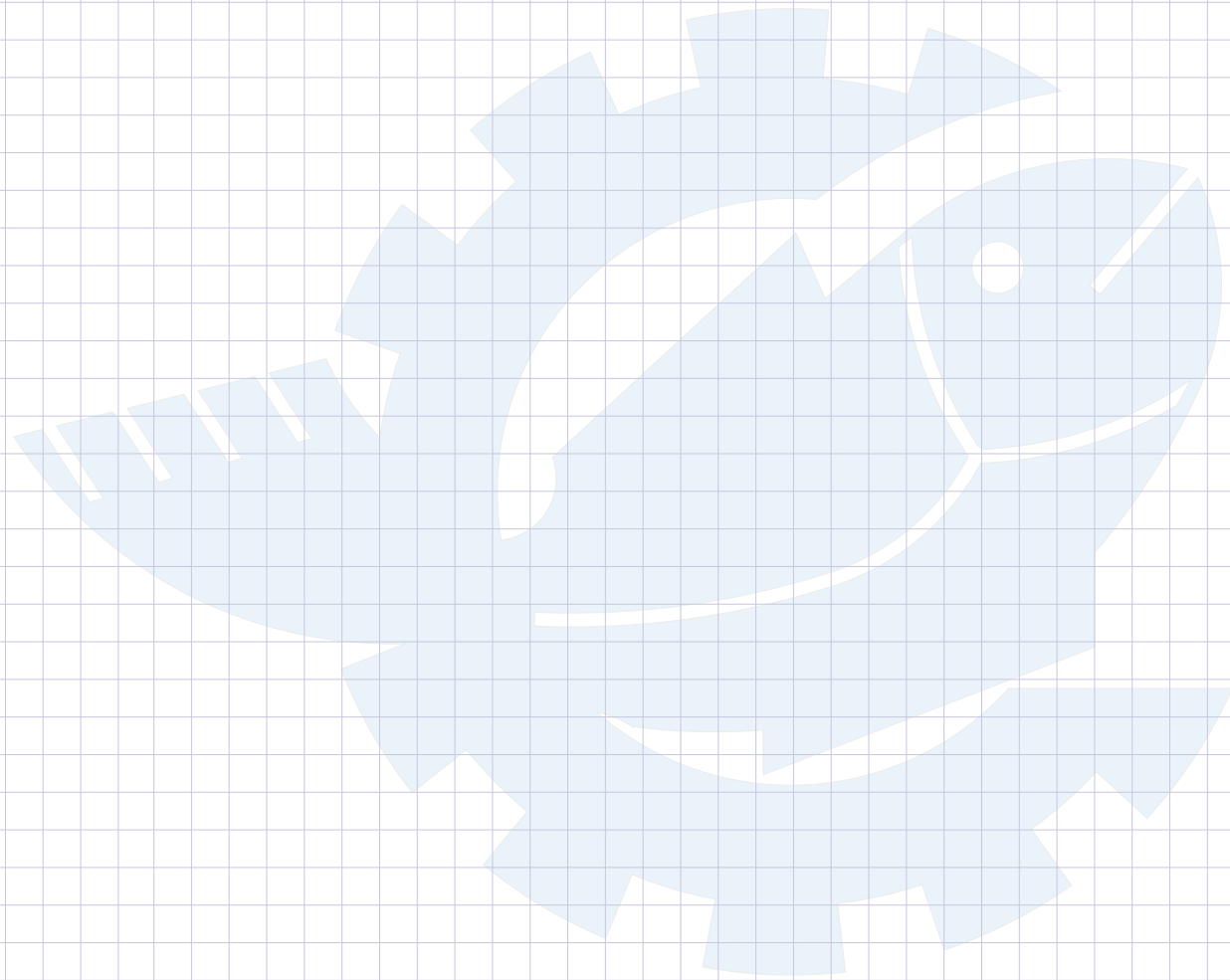
### ● Power ratings and weights summary

Machines	Power	Weight
Fish grader Helios 100	0,25 kw	450 kg - 992 lbs
Fish pump Pescamotion 6 plus	4 kw	202 kg - 445 lbs
Fish counter (one unit)	0,05 kw	24 kg - 53 lbs
Water pump 30m3/h	0,75 kw	20 kg - 44 lbs

All packs are given as an example and can be modified according to the customer needs

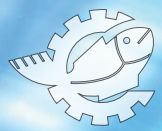






# Smolt and super smolt Pack





1

## Smolt and super smolt Pack

8 to 10 tons/hour

### 4 sizes :

- 1 Fish pump Pescamotion 8 (up to 2,5kg)
- 1 Grader Helios 4000 (10g-1,2kg) / 10 Channel Counter
- 2 Water pump 50m3/h
- 1 Control box
- 3 Fish counters Pescavision 30 (40g-1kg)
- 1 Fish counters Pescavision 50 (400g-4,5kg)
- 4 Reception tanks

Fresh and Sea water pack  
Ref : PACSS-SMOL16

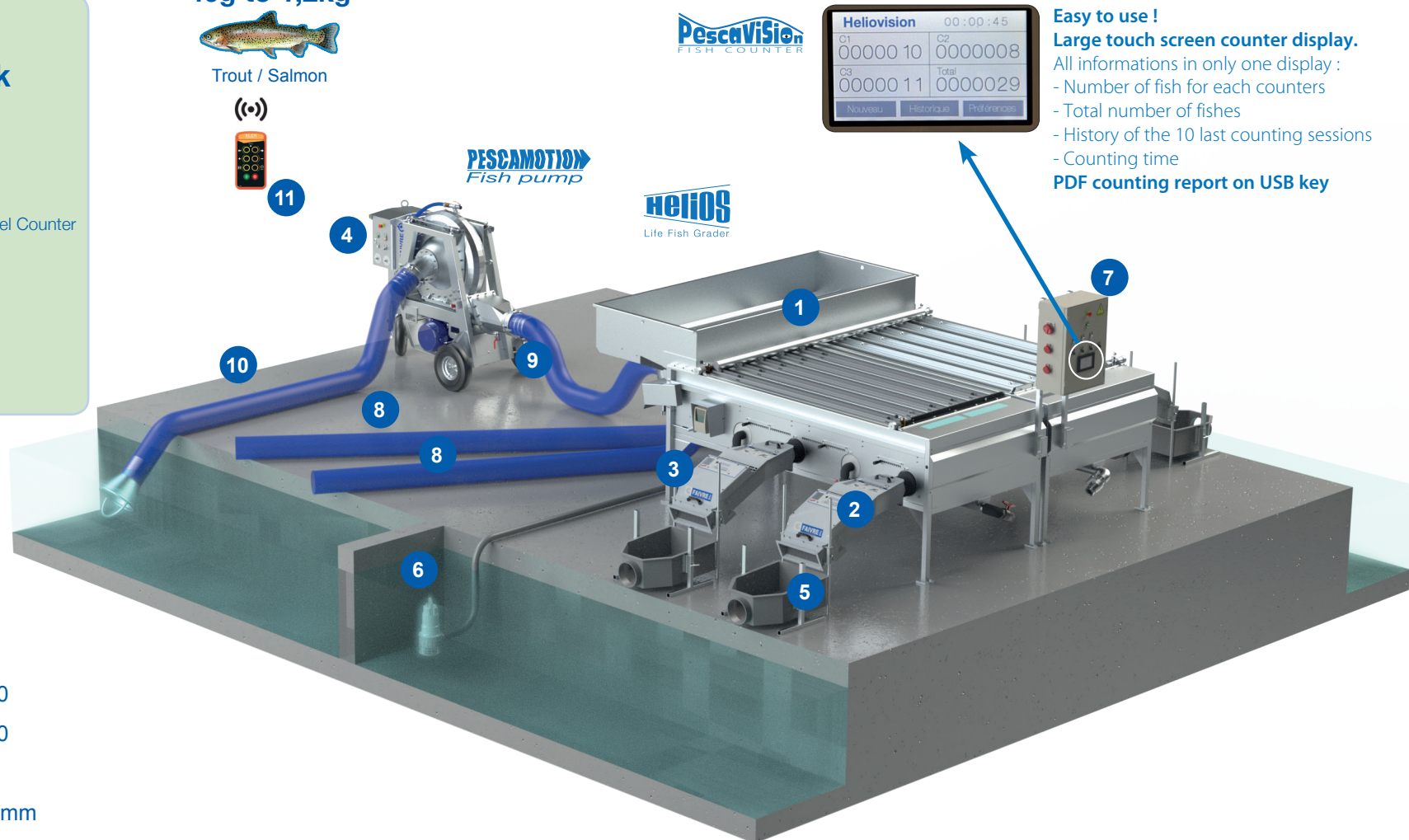
40g to 1,2kg



Trout / Salmon



11



Easy to use !

Large touch screen counter display.

All informations in only one display :

- Number of fish for each counters
- Total number of fishes
- History of the 10 last counting sessions
- Counting time

PDF counting report on USB key

- 1 1 Fish grader Helios 4000
- 2 3 Fish counters Pescavision 30
- 3 1 Fish counters Pescavision 50
- 4 1 Fish pump Pescamotion 8
- 5 4 Reception tanks outlet Ø250mm
- 6 2 Submersible water pump 50 m3/h
- 7 1 Control box with fish counters display
- 8 2 x5 m dewatering pipes Ø 200 mm (8 in)
- 9 5 m suction flexible pipes Ø200mm (8 in)
- 10 5 m discharge flexible pipes Ø200mm (8 in)
- 11 1 Fish pump Remote control



7

Electrical box to plug fish pump counters and water pump  
Ref. (3x400v 50/60Hz) : THC002  
Ref. (3x230v 50/60Hz) : THC006



6

Submersible water pump delivered with 5m of flexible pipe and storz fittings to plug at grader  
Ref. (Sea water 316L) : TPOW50I6T5



## Pescamotion 8



### Specifications

Fish pump model	<b>PESCAMOTION 8</b>
Main drive motor:	11kW 400 V 3ph 50 Hz
Prime control:	Frequency variator
Prime drive motor:	0.75 kW 400 V 3ph 50 Hz
Inlet Ø:	(203mm) 8 in male camlock
Outlet Ø:	(203mm) 8 in male camlock
Total dynamic head	14m - 46ft (3m suction and 11m discharge)
Fish size max.:	2500 g Trouts/Salmon
Pump speed:	100 to 390 rpm
Water flow:	380 m3/h - 1673 gpm
Dimensions (m)	1.74 L x 1,08 l x 1.64H
Weight	502 kg
Reference (fresh and sea water)	PH0802

## Pescavision 30-50



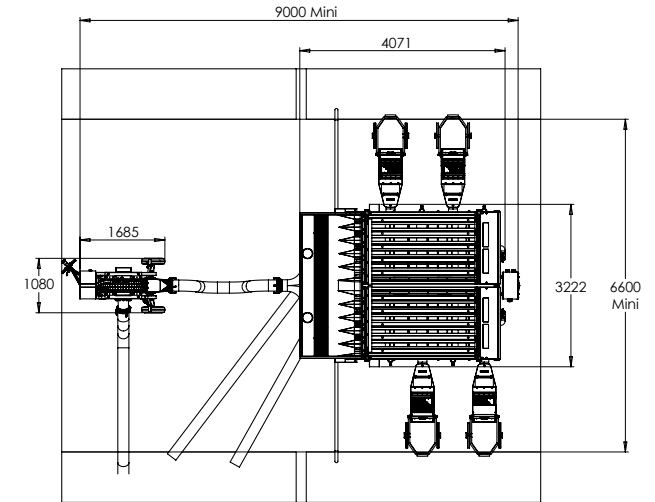
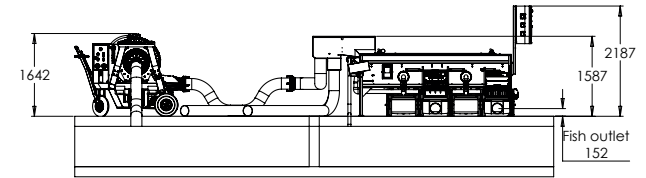
### Specifications

Fish counter model	PESCAVISION 30		PESCAVISION 50	
	Trouts Salmons	Bass/Bream/ Tilapia/Carps/ Perch	Trouts Salmons	Bass/Bream/ Tilapia/Carps/ Perch
Fish from	40g to 1kg	40g to 500g	400g to 4,5kg	500g to 3kg
Capacity (maxi)	3T/h	3T/h	4T/h	4T/h
Channels number	4	4	2	2
Channels width	100mm	100mm	200mm	200mm
Connection diameter	160mm	160mm	200mm	200mm
Accuracy	98% - 100%	98% - 100%	98% - 100%	98% - 100%
Dimensions	1,3x0,4x0,5m		1,5x0,5x0,6	
Weight	20kg		20kg	
Voltage	24v		24v	
Reference (fresh and sea water)	PESCA30		PESCA50	

## Helios 4000

### Specifications

Grader model	<b>HELIOS 4000</b>
Nbr of channels	10
Nbr of size	4
Lenght of grading channels(mm)	2500
Max. channels opening (mm)	65
Nbr of outlets Ø (mm)	8xØ200
Weight min.-max. Trout/Salmon/Bass	5g - 1,2Kg
Weight min.-max. Tilapia/Bream/Carp	5g - 800g
Hourly rate (tons/hour)	8 - 10
Grader weight (kg)	1100
Dimensions (m)	3,9x1,70
Height (m)	1,3
Motor power 220 V 1ph (50 Hz/60 Hz) / 380 V 3ph (50 Hz/60 Hz)	0,75 kw
Advice pump flow (m3/h)	2x50
Reference (Sea water 316L)	TH40106



### Power ratings and weights summary

Machines	Power	Weight
Fish grader Helios 4000	0,75 kw	1100 kg - 2425 lbs
Fish pump Pescamotion 8"	11 kw	502 kg - 1100 lbs
Fish counter (one unit)	0,05 kw	24 kg - 53 lbs
Water pump 2x 50 m3/h	4,4 kw	60 kg - 132 lbs

All packs are given as an example and can be modified according to the customer needs





# Grow out Packs







# Grow out packs

## Why buy a full Grow out pack?

This ensures that all your equipment will be compatible with each other.  
We have 10 packs with different hourly flow : You just need to choose the right Grow Out Pack for your farm

**40g to 700g**



Trout / Salmon

**30g to 500g**



Tilapia

**40g to 500g**



Sea Bream

**40g to 500g**



Sea Bass

## Base Packs

Try our plug & play packs : pump, grader, counter

**1**

**2 - 3 tons/hour**

**3 sizes :**

- 1 Fish pump Pescamotion 6 Plus (up to 700g)
- 1 Grader Helios 30 (5g-800g) / 3 Channel Counter
- 1 Water pump 30m<sup>3</sup>/h
- 1 Control box
- 3 Fish counters Pescavision 30 (40g-1kg)
- 3 Reception tanks

Fresh and Sea water pack      Ref : PACGO-BASEI6

**Base**

Page 22

**3**

**3 - 4 tons/hour**

**3 sizes :**

- 1 Fish pump Pescamotion 6 Plus (up to 700g)
- 1 Grader Heliovision 40 (5g-1.5kg) / 3 Channel Counter
- 1 Water pump 40m<sup>3</sup>/h
- 1 Control box
- 3 Fish counters Pescavision integrated

Fresh and Sea water pack      Ref : PACGO-CPTI6

**Compact**

Page 26

**2**

**3 - 4 tons/hour**

**4 sizes :**

- 1 Fish pump Pescamotion 6 Plus (up to 700g)
- 1 Grader Helios 40 (5g-1.5kg) / 3 Channel Counter
- 1 Water pump 40m<sup>3</sup>/h
- 1 Control box
- 4 Fish counters Pescavision 30 (40g-1kg)
- 4 Reception tanks

Fresh and Sea water pack      Ref : PACGO-STD16

**Standard**

Page 24

**4**

**4 - 6 tons/hour**

**4 sizes :**

- 1 Fish pump Pescamotion 6 Plus (up to 700g)
- 1 Grader Helios 400 (5g-1.5kg) / 5 Channel Counter
- 1 Water pump 50m<sup>3</sup>/h
- 1 Control box
- 4 Fish counters Pescavision 30 (40g-1kg)
- 4 Reception tanks

Fresh and Sea water pack      Ref : PACGO-FSTI6

**Fast**

Page 28



# Grow out packs

40g to 1,5kg



Trout / Salmon

30g to 800g



Tilapia

40g to 800g



Sea Bream

40g to 800g



Sea Bass

## Eco Packs

Base packs with the Vaccum PESCAVAC 8 fish pump

5

**Compact**

Page 30

3 - 6 tons/hour

3 sizes :

- 1 Fish pump Pescavac 8 (up to 2.5kg)
- 1 Grader Heliovision 40 (5g-1.5kg) / 3 Channel Counter
- 1 Water pump 40m3/h
- 1 Control box
- 3 Fish counters Pescavision integrated

Fresh and Sea water pack

Ref : PACGO-BCEI6

6

**Standard**

Page 32

3 - 4 tons/hour

4 sizes :

- 1 Fish pump Pescavac 8 (up to 2.5kg)
- 1 Grader Helios 40 (5g-1.5kg) / 3 Channel Counter
- 1 Water pump 40m3/h
- 1 Control box
- 1 Fish counters Pescavision 30 (40g - 1kg)
- 3 Fish counters Pescavision 50 (400g - 4.5kg)
- 4 Reception tanks

Fresh and Sea water pack

Ref : PACGO-BSEI6

7

**Fast**

Page 34

4 - 6 tons/hour

4 sizes :

- 1 Fish pump Pescavac 8 (up to 2.5kg)
- 1 Grader Helios 400 (5g-1.5kg) / 5 Channel Counter
- 1 Water pump 50m3/h
- 1 Control box
- 2 Fish counters Pescavision 30 (40g - 1kg)
- 2 Fish counters Pescavision 50 (500g - 4.5kg)
- 4 Reception tanks

Fresh and Sea water pack

Ref : PACGO-BFEI6

## Ultra Packs

Base packs with the high performance PESCAMOTION 8 fish pump

8

**Compact**

Page 36

3 - 6 tons/hour

3 sizes :

- 1 Fish pump Pescamotion 8 (up to 2.5kg)
- 1 Grader Heliovision 40 (5g-1.5kg) / 3 Channel Counter
- 1 Water pump 40m3/h
- 1 Control box
- 3 Fish counters Pescavision integrated

Fresh and Sea water pack

Ref : PACGO-BCUI6

9

**Standard**

Page 38

3 - 4 tons/hour

4 sizes :

- 1 Fish pump Pescamotion 8 (up to 2.5kg)
- 1 Grader Helios 40 (5g-1.5kg) / 3 Channel Counter
- 1 Water pump 40m3/h
- 1 Control box
- 1 Fish counters Pescavision 30 (40g - 1kg)
- 3 Fish counters Pescavision 50 (400g - 4.5kg)
- 4 Reception tanks

Fresh and Sea water pack

Ref : PACGO-BSUI6

10

**Fast**

Page 40

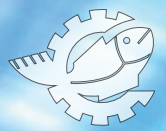
4 - 6 tons/hour

4 sizes :

- 1 Fish pump Pescamotion 8 (up to 2.5kg)
- 1 Grader Helios 400 (5g-1.5kg) / 5 Channel Counter
- 1 Water pump 50m3/h
- 1 Control box
- 2 Fish counters Pescavision 30 (40g - 1kg)
- 2 Fish counters Pescavision 50 (500g - 4.5kg)
- 4 Reception tanks

Fresh and Sea water pack

Ref : PACGO-BFUI6



## 1 Base Pack

2 - 3 tons/hour

3 sizes :

- 1 Fish pump Pescamotion 6 Plus (3g-700g)
- 1 Grader Helios 30 (5g-800g) / 3 Channel Counter
- 1 Water pump 30m<sup>3</sup>/h
- 1 Control box
- 1 Fish counters PescaVision 10 (5g-150g)
- 2 Fish counters PescaVision 30 (40g-1kg)
- 3 Reception tanks

Fresh and Sea water pack  
Ref : PACGO-BASEI6

5g to 700g



Trout / Salmon

5g to 500g



Tilapia

5g to 500g



Sea Bream

5g to 500g

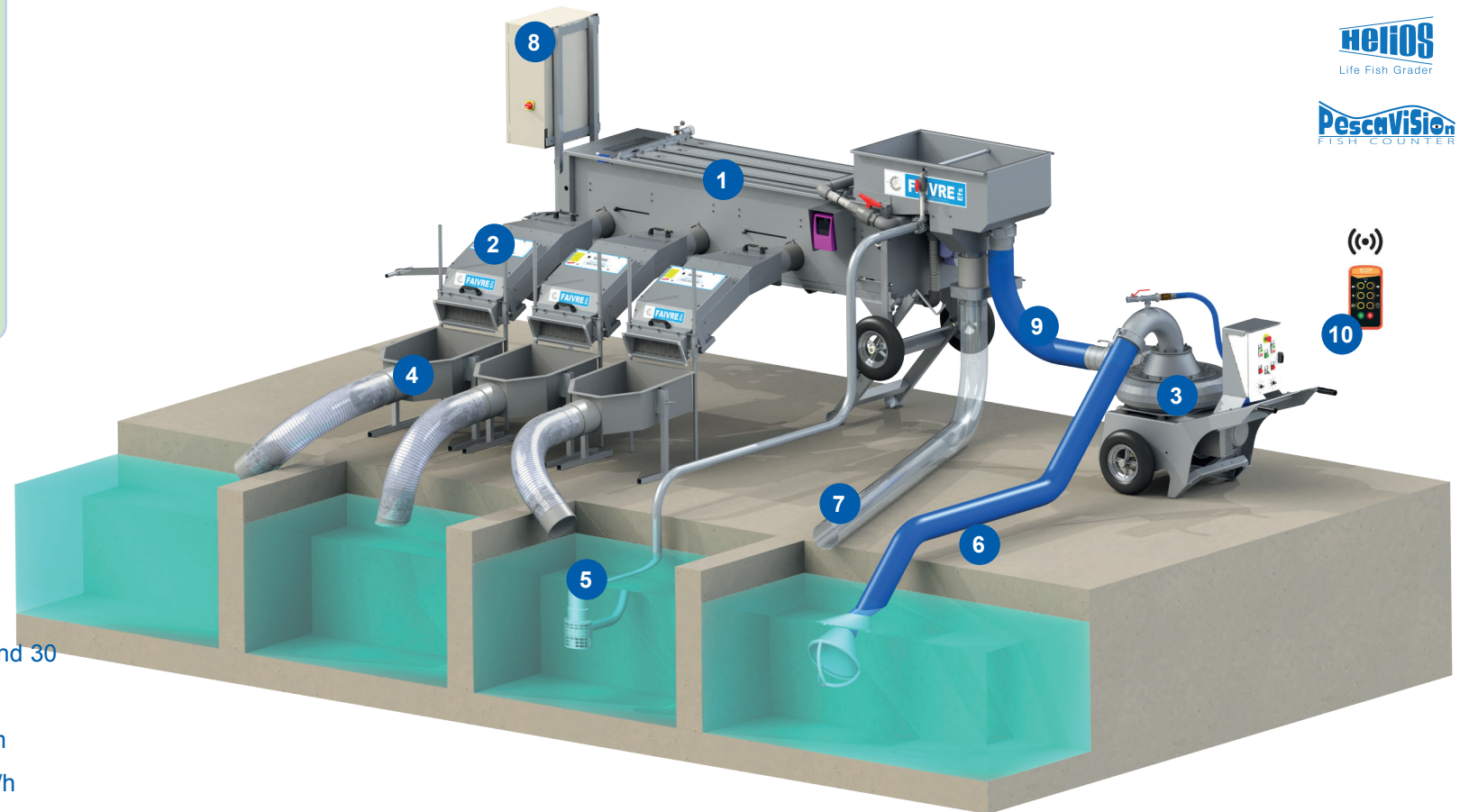


Sea Bass

**PESCAMOTION**  
Fish pump

**HELIOS**  
Life Fish Grader

**PescaVision**  
FISH COUNTER



- 1 1 Fish grader Helios 30
- 2 3 Fish counters PescaVision 10 and 30
- 3 1 Fish pump Pescamotion 6 Plus
- 4 3 Reception tanks outlet Ø200mm
- 5 1 Submersible water pump 30m<sup>3</sup>/h
- 6 4 m «Spiraliss» suction flexible pipes Ø150mm (6 in)
- 7 5 m dewatering pipes Ø 200mm (8 in)
- 8 1 Control box
- 9 6 m «Spiraliss» discharge flexible pipes Ø150mm (6 in)
- 10 Fish pump remote control



- 8 Electrical box to plug fish pump counters and water pump  
Ref. (3x400v 50/60Hz) : THC002  
Ref. (3x230v 50/60Hz) : THC006



- 5 Submersible water pump delivered with 5m of flexible pipe and storz fittings to plug at grader  
Ref. (Sea water 316L) : TPOW30I6T5



## Pescamotion 6 Plus



### Specifications

Fish pump model	<b>PESCAMOTION 6 Plus</b>
Main drive motor:	3kW 400V 3ph 50Hz
Prime control:	Frequency variator
Prime drive motor:	0,3kW 400V 3ph 50Hz
Inlet Ø:	(152mm) 6" male camlock
Outlet Ø:	(152mm) 6" male camlock
Total dynamic head	12m - 40ft ( 3m suction and 9m discharge)
Fish size max.:	700 g Trouts/Salmon
Pump speed:	200 to 540 rpm
Water flow:	232 m3/h - 1021 gpm
Dimensions (m)	1.76 L x 0.86 l x 1.06 H 70 in L x 34 in W x 42 in H
Reference (fresh and sea water)	PH0602

## Pescavision 10 - 30



### Specifications

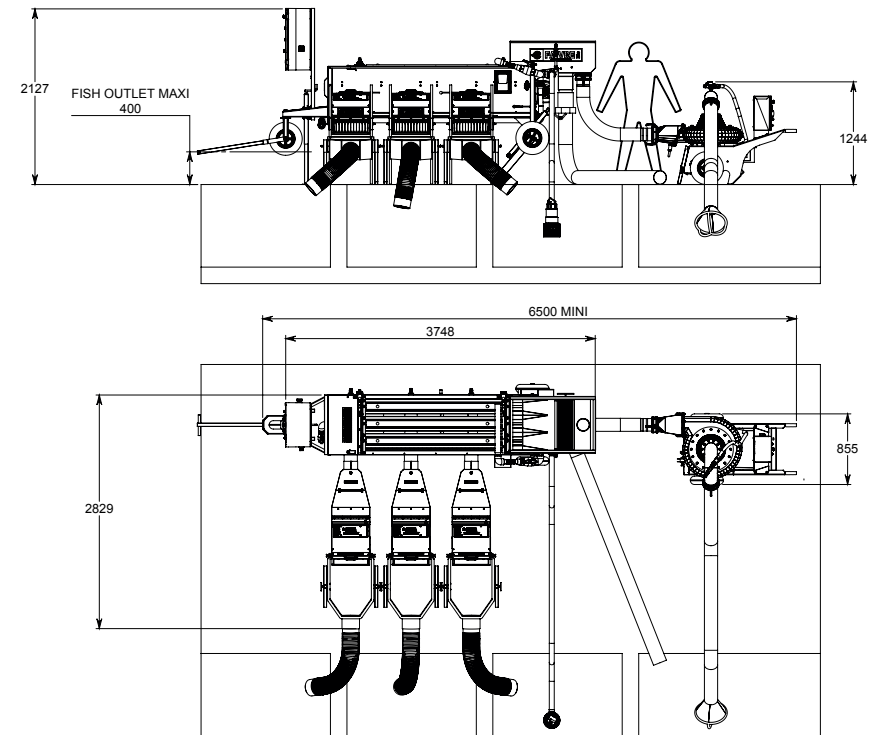
Fish counter model	PESCAVISION 10		PESCAVISION 30	
	Trouts Salmons	Bass/Bream/Tilapia/ Carps/Perch	Trouts Salmons	Bass/Bream/Tilapia/ Carps/Perch
Fish species				
Fish from	5g to 150	5g to 100g	40g to 1kg	40g to 500g
Capacity (maxi)	1,5T/h 35.000fish/hour	1,5T/h 35.000fish/hour	3T/h	3T/h
Channels number	8	8	4	4
Channels width	50mm	50mm	100mm	100mm
Connection diameter	160mm	160mm	160mm	160mm
Accuracy	98% - 100%	98% - 100%	98% - 100%	98% - 100%
Dimensions	1,3x0,4x0,5m		1,3x0,4x0,5m	
Weight	PESCA10		20kg	
Voltage	24v		24v	
Reference (fresh and sea water)	PESCA10		PESCA30	

## Helios 30



### Specifications

Grader model	<b>HELIOS 30</b>
Nbr of channels	3
Nbr of size	3
Lenght of grading channels(mm)	2000
Max. channels opening (mm)	42
Nbr of outlets Ø (mm)	6xØ160
Weight min.-max. Trout/Salmon/Bass	5g - 800g
Weight min.-max. Tilapia/Bream/Carp	5g - 400g
Hourly rate (tons/hour)	2 - 3
Grader weight (kg)	300
Dimensions (m)	3,5x0,95
Height (m)	1,3
Motor power 220 V 1ph (50 Hz/60 Hz) / 380 V 3ph (50 Hz/60 Hz)	0,25 kw
Advice pump flow (m3/h)	30
Reference (Sea water 316L)	TH3036

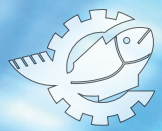


### Power ratings and weights summary

Machines	Power	Weight
Fish grader Helios 30	0,25 kw	300 kg - 662 lbs
Fish pump Pescamotion 6 plus	4 kw	202 kg - 445 lbs
Fish counter (one unit)	0,05 kw	24 kg - 53 lbs
Water pump 30 m3/h	0,75 kw	20 kg - 44 lbs

All packs are given as an example and can be modified according to the customer needs





2

## Standard Pack

3 to 4 tons/hour

4 sizes :

- 1 Fish pump Pescamotion 6 Plus (3g-700g)
- 1 Grader Helios 40 (5g-1,5kg) / 3 Channel Counter
- 1 Water pump 40m<sup>3</sup>/h
- 1 Control box
- 4 Fish counters PescaVision 30 (40g-1kg)
- 4 Reception tanks

Fresh and Sea water pack  
Ref : PACGO-STDI6

40g to 700g



Trout / Salmon

30g to 500g



Tilapia

40g to 500g



Sea Bream

40g to 500g

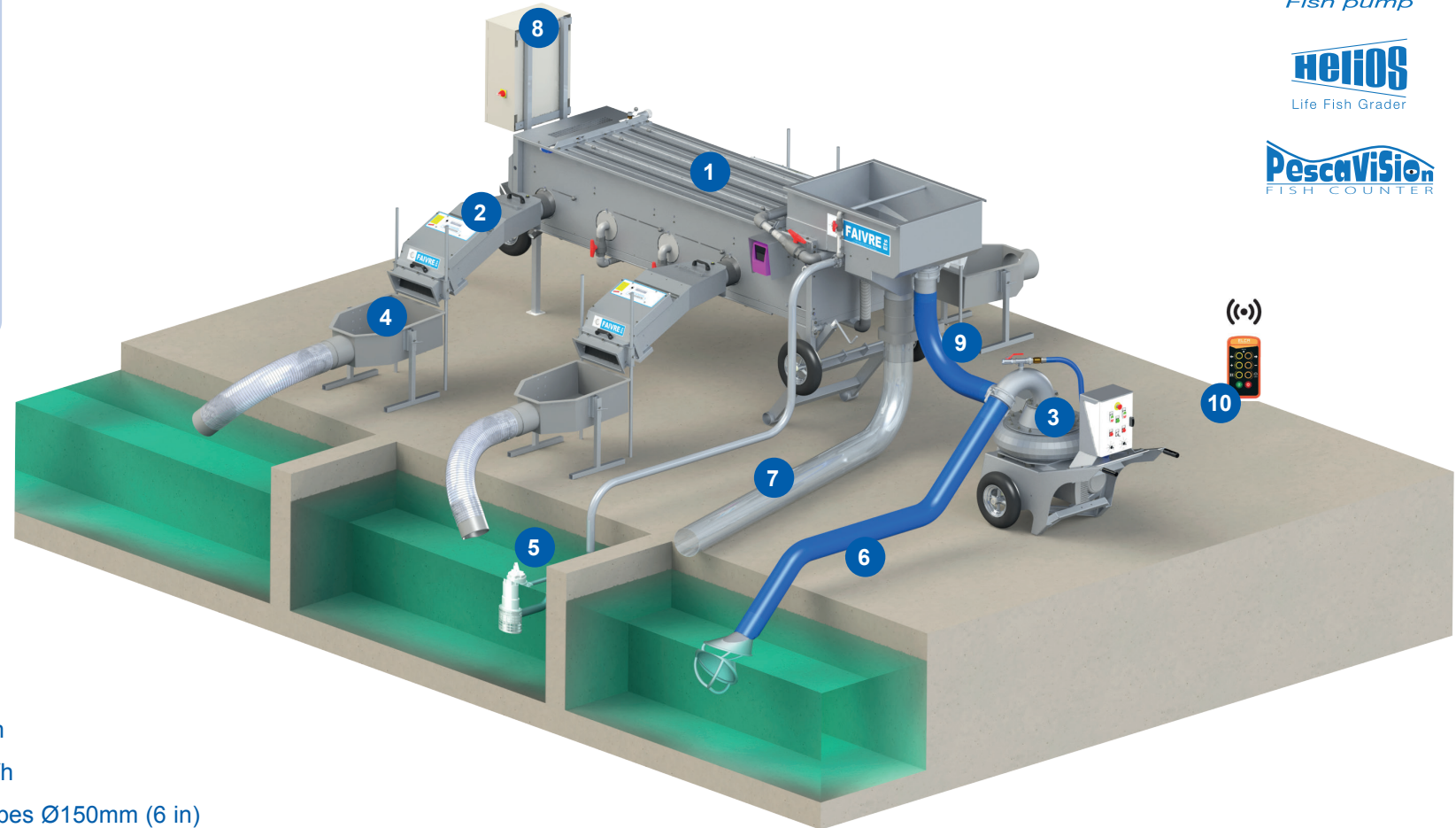


Sea Bass

**PESCAMOTION**  
Fish pump

**HELIOS**  
Life Fish Grader

**PescaVision**  
FISH COUNTER



- 1 1 Fish grader Helios 40 (R 8->6")
- 2 4 Fish counters PescaVision 30
- 3 1 Fish pump Pescamotion 6 Plus
- 4 4 Reception tanks outlet Ø200mm
- 5 1 Submersible water pump 40m<sup>3</sup>/h
- 6 4 m «Spiraliss» suction flexible pipes Ø150mm (6 in)
- 7 5 m dewatering pipes Ø 200mm (8 in)
- 8 1 Control box
- 9 6 m «Spiraliss» discharge flexible pipes Ø150mm (6 in)
- 10 Fish pump remote control



8

Electrical box to plug fish pump counters and water pump  
Ref. (3x400v 50/60Hz) : THC002  
Ref. (3x230v 50/60Hz) : THC006



5

Submersible water pump delivered with 5m of flexible pipe and storz fittings to plug at grader  
Ref. (Sea water 316L) : TPOW40I6T5

## Pescamotion 6 Plus



### Specifications

Fish pump model	<b>PESCAMOTION 6 Plus</b>
Main drive motor:	3kW 400V 3ph 50Hz
Prime control:	Frequency variator
Prime drive motor:	0,3kW 400V 3ph 50Hz
Inlet Ø:	(152mm) 6" male camlock
Outlet Ø:	(152mm) 6" male camlock
Total dynamic head	12m - 40ft ( 3m suction and 9m discharge)
Fish size max.:	700 g Trouts/Salmon
Pump speed:	200 to 540 rpm
Water flow:	232 m3/h - 1021 gpm
Dimensions (m)	1.76 L x 0.86 l x 1.06 H 70 in L x 34 in W x 42 in H
Reference (fresh and sea water)	PH0602

## Pescavision 30



### Specifications

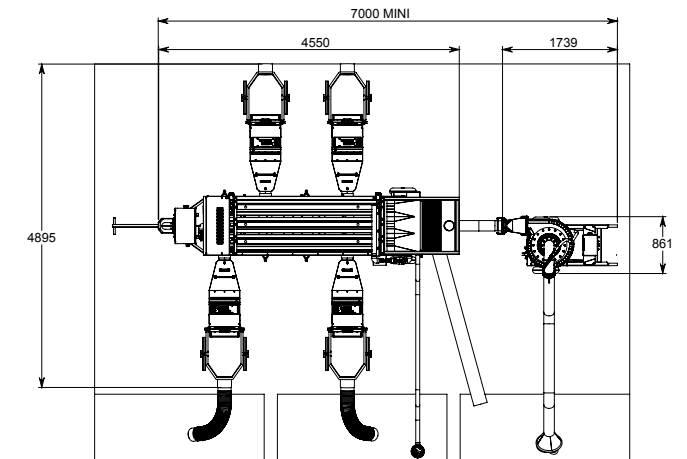
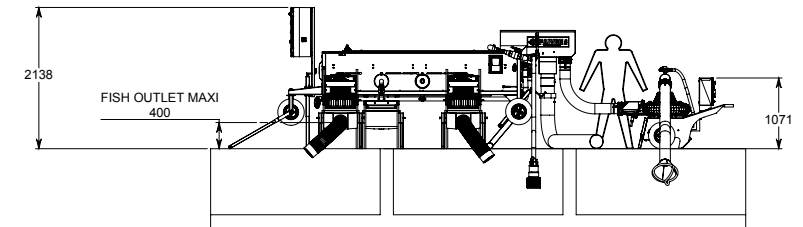
Fish counter model	<b>PESCAVISION 30</b>	
Fish species	Trouts Salmons	Bass/Bream/Tilapia/ Carp/Perch
Fish from	40g to 1kg	40g to 500g
Capacity (maxi)	3T/h	3T/h
Channels number	4	4
Channels width	100mm	100mm
Connection diameter	160mm	160mm
Accuracy	98% - 100%	98% - 100%
Dimensions	1,3x0,4x0,5m	
Voltage	24v	
Reference (fresh and sea water)	PESCA30	

## Helios 40



### Specifications

Grader model	<b>HELIOS 40</b>
Nbr of channels	3
Nbr of size	4
Length of grading channels(mm)	2500
Max. channels opening (mm)	65
Nbr of outlets Ø (mm)	8xØ200
Weight min.-max. Trout/Salmon	5g - 1,5Kg
Weight min.-max. Bass/Bream/ Tilapia/Carp	5g - 800g
Hourly rate (tons/hour)	3 - 4
Dimensions (m)	3,9x1,00
Height (m)	1,3
Motor power 220 V 1ph (50 Hz/60 Hz) / 380 V 3ph (50 Hz/60 Hz)	0,37 kw
Advice pump flow (m3/h)	40
Reference (Sea water 316L)	TH4036



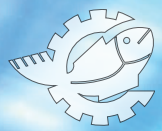
### Power ratings and weights summary

Machines	Power	Weight
Fish grader Helios 40	0,37 kw	480 kg - 1058 lbs
Fish pump Pescamotion 6 plus	4 kw	202 kg - 445 lbs
Fish counter (one unit)	0,05 kw	24 kg - 53 lbs
Water pump 40m3/h	1,1 kw	30 kg - 66 lbs

All packs are given as an example and can be modified according to the customer needs







3

## Compact Pack

3 to 4 tons/hour

### 3 sizes :

- 1 Fish pump Pescamotion 6 Plus (up to 700g)
- 1 Grader Heliovision 40 (40g-1,5kg) / 3 Channel Counter
- 1 Water pump 40m<sup>3</sup>/h
- 1 Control box
- 3 Fish counters Pescavision integrated into grader

Fresh and Sea water pack  
Ref : PACGO-CPT16

40g to 700g



Trout / Salmon

30g to 500g



Tilapia

40g to 500g



Sea Bream

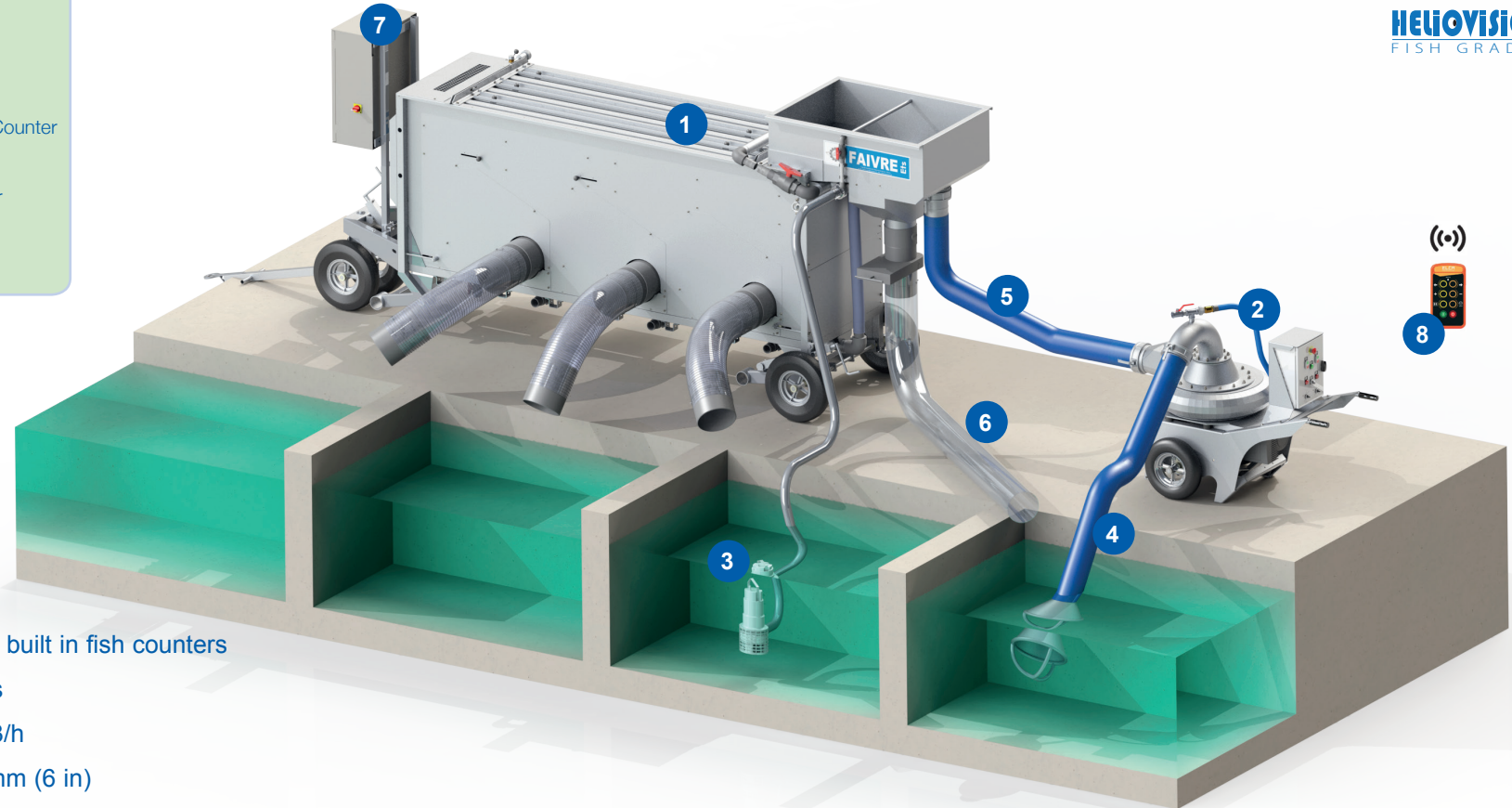
40g to 500g



Sea Bass

**PESCAMOTION**  
Fish pump

**HELIOVISION**  
FISH GRADER



- 1 1 Fish grader Heliovision 40 with built in fish counters
- 2 1 Fish pump Pescamotion 6 Plus
- 3 1 Submersible water pump 40m<sup>3</sup>/h
- 4 4 m suction flexible pipes Ø150mm (6 in)
- 5 6 m discharge flexible pipes Ø 150mm (6 in) (R8->6)
- 6 5 m dewatering pipes Ø 200mm (8 in)
- 7 1 Control box
- 8 Fish pump remote control



7

Electrical box to plug fish pump counters and water pump  
Ref. (3x400v 50/60Hz) : THC002  
Ref. (3x230v 50/60Hz) : THC006



3

Submersible water pump delivered with 5m of flexible pipe and storz fittings to plug at grader  
Ref. (Sea water 316L) : TPOW40I6T5

● **Pescamotion 6 Plus**



● **Specifications**

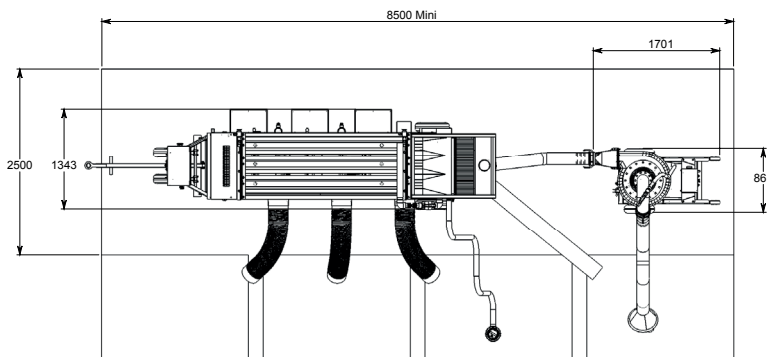
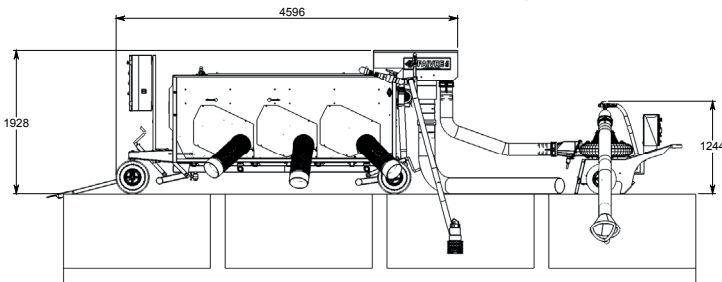
<b>Fish pump model</b>	<b>PESCAMOTION 6 Plus</b>
Main drive motor:	3kW 400V 3ph 50Hz
Prime control:	Frequency variator
Prime drive motor:	0,3kW 400V 3ph 50Hz
Inlet Ø:	(152mm) 6" male camlock
Outlet Ø:	(152mm) 6" male camlock
Total dynamic head	12m - 40ft ( 3m suction and 9m discharge)
Fish size max.:	700 g Trouts/Salmon
Pump speed:	200 to 540 rpm
Water flow:	232 m3/h - 1021 gpm
Dimensions (m)	1.76 L x 0.86 l x 1.06 H 70 in L x 34 in W x 42 in H
Reference (fresh and sea water)	PH0602

● **Heliovision 40**



● **Specifications**

<b>Grader model</b>	<b>HELIOVISION 40</b>		
<b>Counters configuration</b>	3 Pescavision 30	2 Pescavision 30 1 Pescavision 50	1 Pescavision 30 2 Pescavision 50
Number of channels	3	3	3
Number of grades	3	3	3
Number of counters (Pescavision 30 or 50)	3	3	3
Channel length (mm)	2500	2500	2500
Max. channel opening (mm)	65	65	65
Number of exits and Ø (mm)	6xØ250	6xØ250	6xØ250
Min. max. weight, Trout/Salmon	40g - 1kg	40g - 1.5kg	40g - 1.5kg
Min. max. weight, Bass/Bream/Tilapia/Carp	40g - 500g	40g - 800g	40g - 800g
Hourly rate (tons/hour)	3 - 6	3 - 6	3 - 6
Weight (kg)	580	580	580
Dimensions (m)	3.9L x 1.25 l	3.9L x 1.25 l	3.9L x 1.25 l
Height (m)	1.80	1.80	1.80
Motor power 220 V 1ph (50 Hz/60 Hz) / 380 V 3ph (50 Hz/60 Hz)	0.37 kw	0.37 kw	0.37 kw
Recommended pump output (m³/h)	40	40	40
References (Sea water 316L)	TC40306	TC40216	TC40126

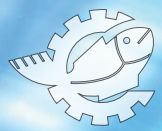


● **Power ratings and weights summary**

Machines	Power	Weight
Fish grader Heliovision 40	1 kw	680 kg - 1500 lbs
Fish pump Pescamotion 6 plus	4 kw	202 kg - 445 lbs
Water pump 40m3/h	1,1 kw	30 kg - 66 lbs

All packs are given as an example and can be modified according to the customer needs





4

## Fast Pack

4 to 6 tons/hour

### 4 sizes :

- 1 Fish pump Pescamotion 6 (up to 700g)
- 1 Grader Helios 400 (5g-1,5kg) / 5 Channel Counter
- 1 Water pump 50m<sup>3</sup>/h
- 1 Control box
- 4 Fish counters PescaVision 30 (40g-1kg)
- 4 Reception tanks

Fresh and Sea water pack  
Ref : PACGO-FST16

40g to 700g



Trout / Salmon

30g to 500g



Tilapia

40g to 500g



Sea Bream

40g to 500g

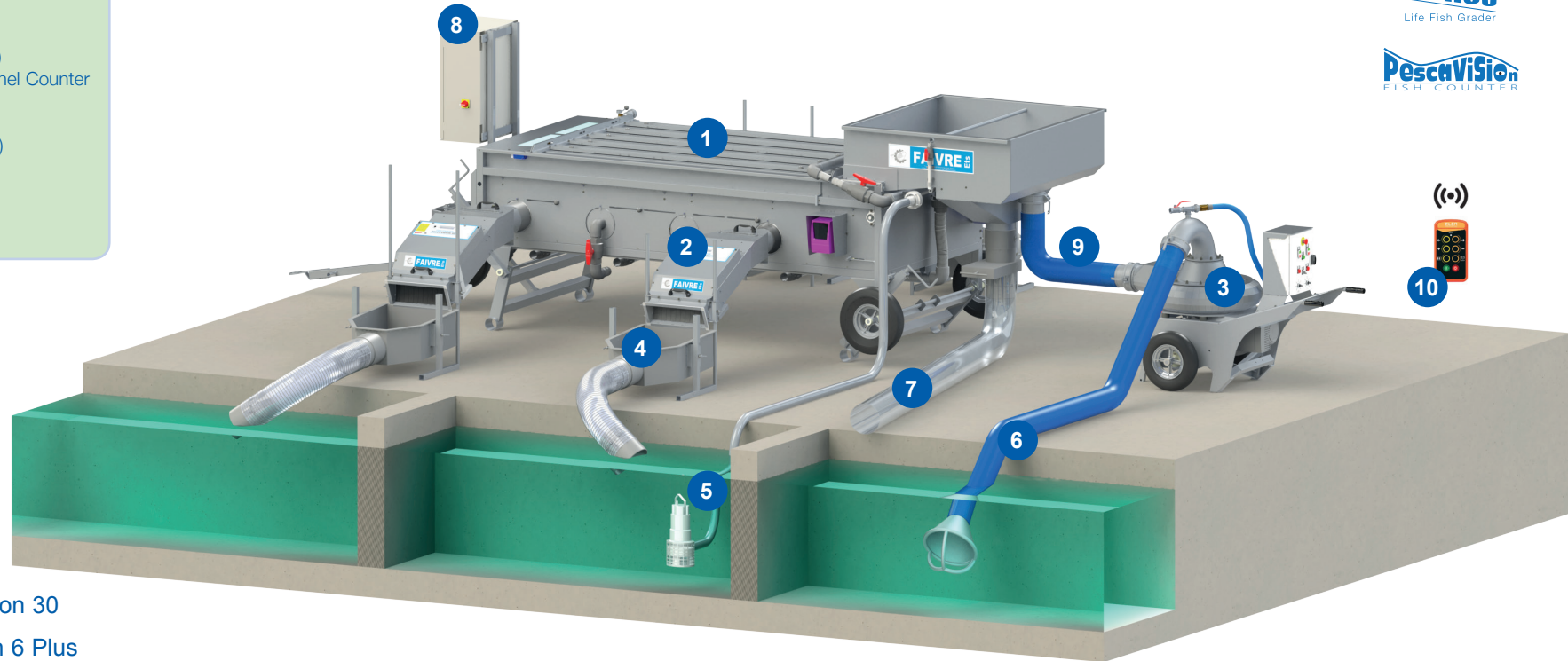


Sea Bass

**PESCAMOTION**  
Fish pump

**HELIOS**  
Life Fish Grader

**PescaVision**  
FISH COUNTER



- 1 1 Fish grader Helios 400
- 2 4 Fish counters PescaVision 30
- 3 1 Fish pump Pescamotion 6 Plus
- 4 4 Reception tanks outlet Ø200mm
- 5 1 Submersible water pump 50m<sup>3</sup>/h
- 6 4 m suction flexible pipes Ø150mm (6 in)
- 7 5 m dewatering pipes Ø 200mm (8 in)
- 8 1 Control box
- 9 6 m discharge flexible pipes Ø150mm (6 in)
- 10 Fish pump remote control



8

Electrical box to plug fish pump counters and water pump  
Ref. (3x400v 50/60Hz) : THC002  
Ref. (3x230v 50/60Hz) : THC006



5

Submersible water pump delivered with 5m of flexible pipe and storz fittings to plug at grader  
Ref. (Sea water 316L) : TPOW50I6T5



## Pescamotion 6 Plus



### Specifications

Fish pump model	<b>PESCAMOTION 6 Plus</b>
Main drive motor:	3kW 400V 3ph 50Hz
Prime control:	Frequency variator
Prime drive motor:	0,3kW 400V 3ph 50Hz
Inlet Ø:	(152mm) 6" male camlock
Outlet Ø:	(152mm) 6" male camlock
Total dynamic head	12m - 40ft ( 3m suction and 9m discharge)
Fish size max.:	700 g Trouts/Salmon
Pump speed:	200 to 540 rpm
Water flow:	232 m3/h - 1021 gpm
Dimensions (m)	1.76 L x 0.86 l x 1.06 H 70 in L x 34 in W x 42 in H
Reference (fresh and sea water)	PH0602

## Pescavision 30



### Specifications

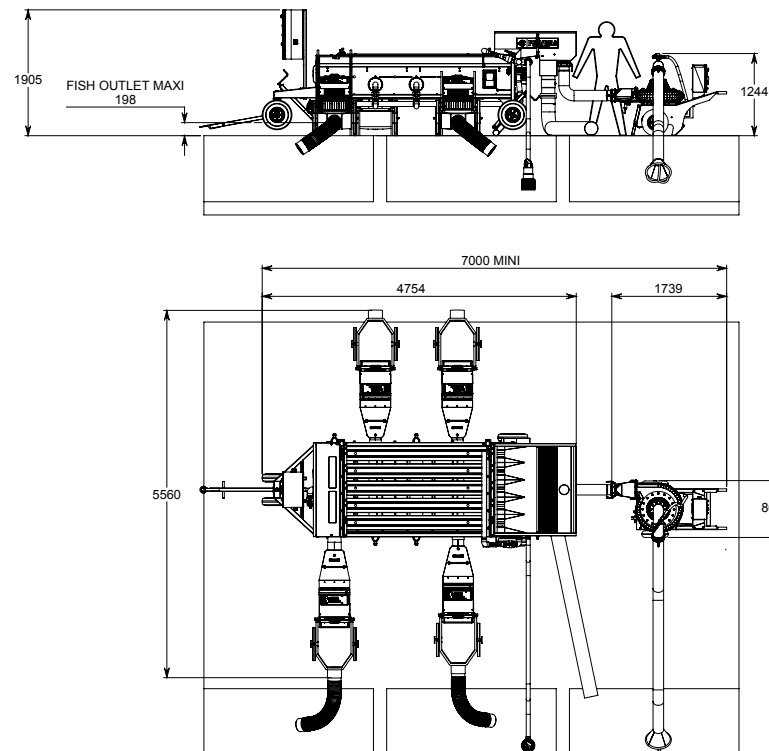
Fish counter model	<b>PESCAVISION 30</b>	
Fish species	Trouts Salmons	Bass/Bream/Tilapia/ Carp/Perch
Fish from	40g to 1kg	40g to 500g
Capacity (maxi)	3T/h	3T/h
Channels number	4	4
Channels width	100mm	100mm
Connection diameter	160mm	160mm
Accuracy	98% - 100%	98% - 100%
Dimensions	1,3x0,4x0,5m	
Voltage	24v	
Reference (fresh and sea water)	PESCA30	

## Helios 400



### Specifications

Grader model	<b>HELIOS 400</b>
Nbr of channels	5
Nbr of size	4
Length of grading channels(mm)	2500
Max. channels opening (mm)	65
Nbr of outlets Ø (mm)	8xØ200
Weight min.-max. Trout/Salmon	5g - 1,5Kg
Weight min.-max. Bass/Bream/ Tilapia/Carp	5g - 800g
Hourly rate (tons/hour)	4 - 6
Grader weight (kg)	520
Dimensions (m)	3,9x1,70
Height (m)	1,3
Motor power 220 V 1ph (50 Hz/60 Hz) / 380 V 3ph (50 Hz/60 Hz)	0,37 kw
Advice pump flow (m3/h)	50
Reference (Sea water 316L)	TH4056

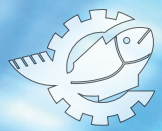


### Power ratings and weights summary

Machines	Power	Weight
Fish grader Helios 400	0,37 kw	520 kg - 1146 lbs
Fish pump Pescamotion 6 plus	4 kw	202 kg - 445 lbs
Fish counter (one unit)	0,05 kw	24 kg - 53 lbs
Water pump 50 m3/h	2,2 kw	30 kg - 66 lbs

All packs are given as an example and can be modified according to the customer needs





5

## Compact Eco Pack

3 to 6 tons/hour

### 3 sizes :

- 1 Fish pump Pescavac 8 (up to 2,5kg)
- 1 Grader Heliovision 40 (5g-1,5kg) / 3 Channel Counter
- 1 Water pump 40m<sup>3</sup>/h
- 1 Control box
- 3 Fish counters Pescavision integrated into grader

Fresh and Sea water pack  
Ref : PACGO-BCEI6

40g to 1,5kg



Trout / Salmon

30g to 800g



Tilapia

40g to 800g



Sea Bream

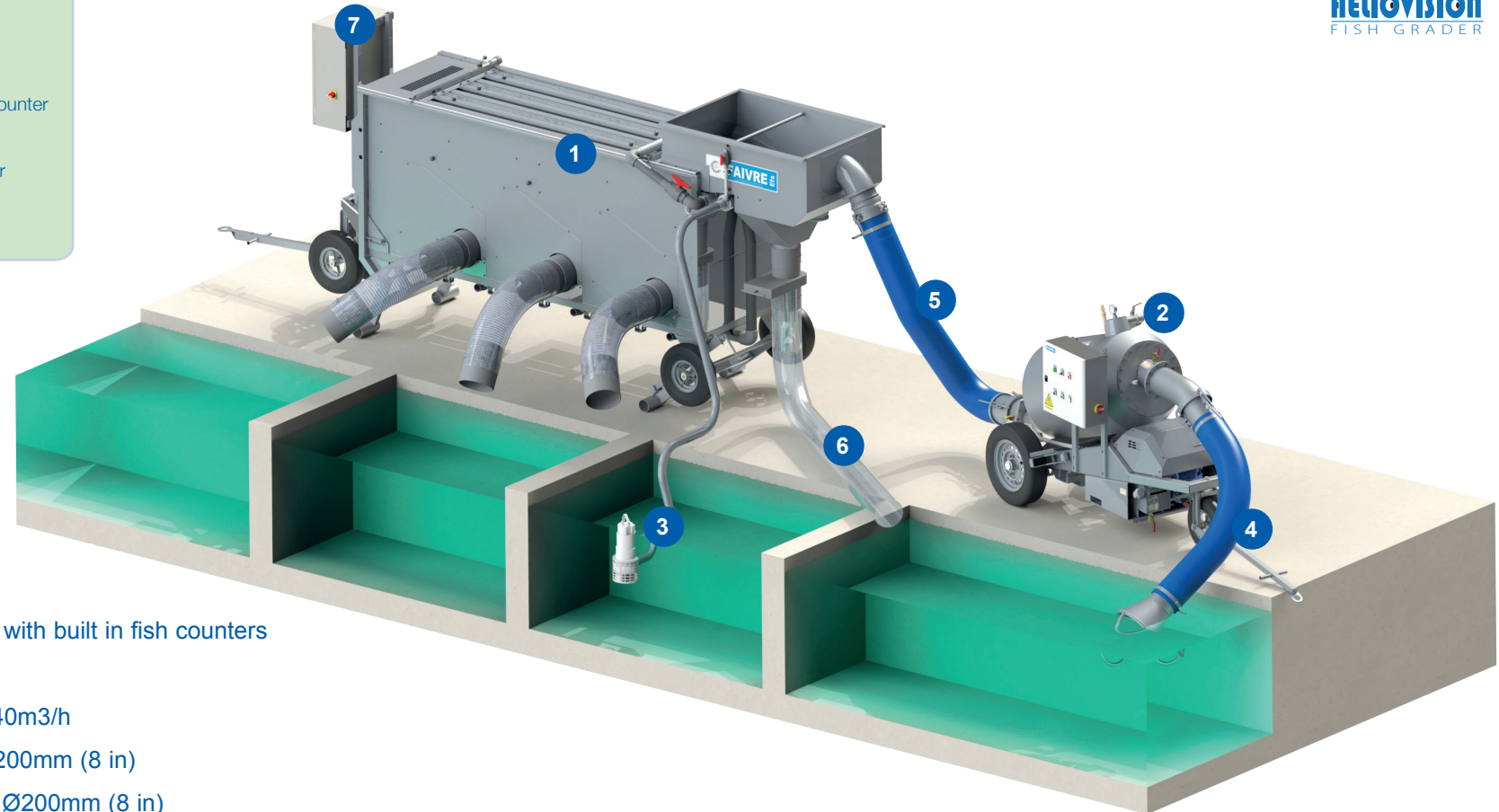
40g to 800g



Sea Bass

PESCAVAC  
Fish pump

HELIOVISION  
FISH GRADER



- 1 1 Fish grader Heliovision 40 with built in fish counters
- 2 1 Fish pump Pescavac 8
- 3 1 Submersible water pump 40m<sup>3</sup>/h
- 4 4 m suction flexible pipes Ø200mm (8 in)
- 5 6 m discharge flexible pipes Ø200mm (8 in)
- 6 5 m dewatering pipes Ø 200mm (8 in)
- 7 1 Control box



7

Electrical box to plug fish pump counters and water pump  
Ref. (3x400v 50/60Hz) : THC002  
Ref. (3x230v 50/60Hz) : THC006



3

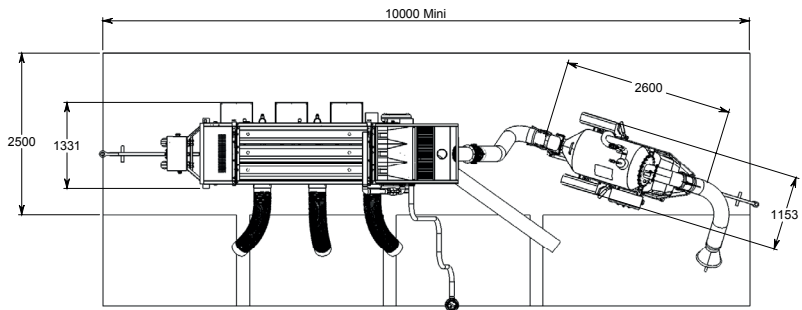
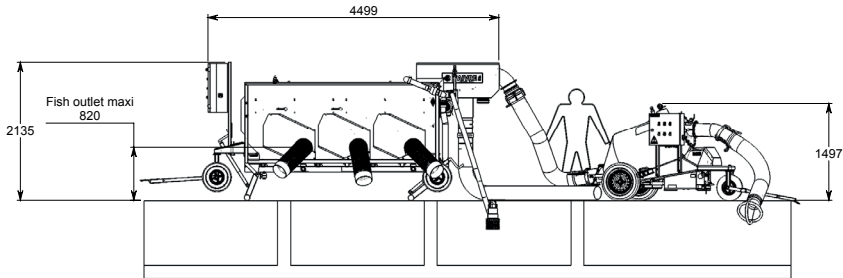
Submersible water pump delivered with 5m of flexible pipe and storz fittings to plug at grader  
Ref. (Sea water 316L) : TPOW40I6T5

● **Pescavac 8**



● **Specifications**

Fish pump model	<b>PESCAVAC 8</b>
Vacuum pump motor	5.3kW 400V 3ph 50Hz
Inlet Ø	(200mm) 8" female cam-lock
Outlet Ø	(200mm) 8" male cam-lock
Maximum discharge head	5 m (196 in)
Maximum suction head	4 m (157 in)
Fish size	Up to 2,5kg Trout/Salmon
Fish size	Up to 1,5kg Bass/Bream/Tilapia
Dimensions (m)	2,5 L x 1,15 l x 1,5 H 98"L x 45"W x 60"H
Weight	440kg - 970lbs
Stainless steel quality	AISI 316L
Reference (fresh and sea water)	<b>PV0801</b>



● **Heliovision 40**



● **Specifications**

Grader model	<b>HELIOVISION 40</b>		
Counters configuration	3 Pescavision 30	2 Pescavision 30 1 Pescavision 50	1 Pescavision 30 2 Pescavision 50
Number of channels	3	3	3
Number of grades	3	3	3
Number of counters (Pescavision 30 or 50)	3	3	3
Channel length (mm)	2500	2500	2500
Max. channel opening (mm)	65	65	65
Number of exits and Ø (mm)	6xØ250	6xØ250	6xØ250
Min. max. weight, Trout/Salmon	40g - 1kg	40g - 1.5kg	40g - 1.5kg
Min. max. weight, Bass/Bream/Tilapia/Carp	40g - 500g	40g - 800g	40g - 800g
Hourly rate (tons/hour)	3 - 6	3 - 6	3 - 6
Weight (kg)	580	580	580
Dimensions (m)	3.9L x 1.25 l	3.9L x 1.25 l	3.9L x 1.25 l
Height (m)	1.80	1.80	1.80
Motor power 220 V 1ph (50 Hz/60 Hz) / 380 V 3ph (50 Hz/60 Hz)	0.37 kw	0.37 kw	0.37 kw
Recommended pump output (m <sup>3</sup> /h)	40	40	40
References (Sea water 316L)	TC40306	TC40216	TC40126

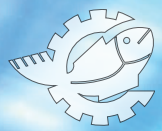
● **Power ratings and weights summary**

Machines	Power	Weight
Fish grader Heliovision 40	0,55 kw	580 kg - 1278 lbs
Fish pump PESCAVAC 8"	5,3 kw	440 kg - 970 lbs
Water pump 40 m3/h	1,1 kw	30 kg - 66 lbs

All packs are given as an example and can be modified according to the customer needs







6

## Standard Eco Pack

3 to 4 tons/hour

4 sizes :

- 1 Fish pump Pescavac 8 (up to 2,5kg)
- 1 Grader Helios 40 (5g-1,5kg) / 3 Channel Counter
- 1 Water pump 40m<sup>3</sup>/h
- 1 Control box
- 1 Fish counters Pescavision 30 (40g - 1kg)
- 3 Fish counters Pescavision 50 (400g - 4,5kg)
- 4 Reception tanks

Fresh and Sea water pack  
Ref : PACGO-BSEI6

40g to 1,5kg



Trout / Salmon

30g to 800g



Tilapia

40g to 800g



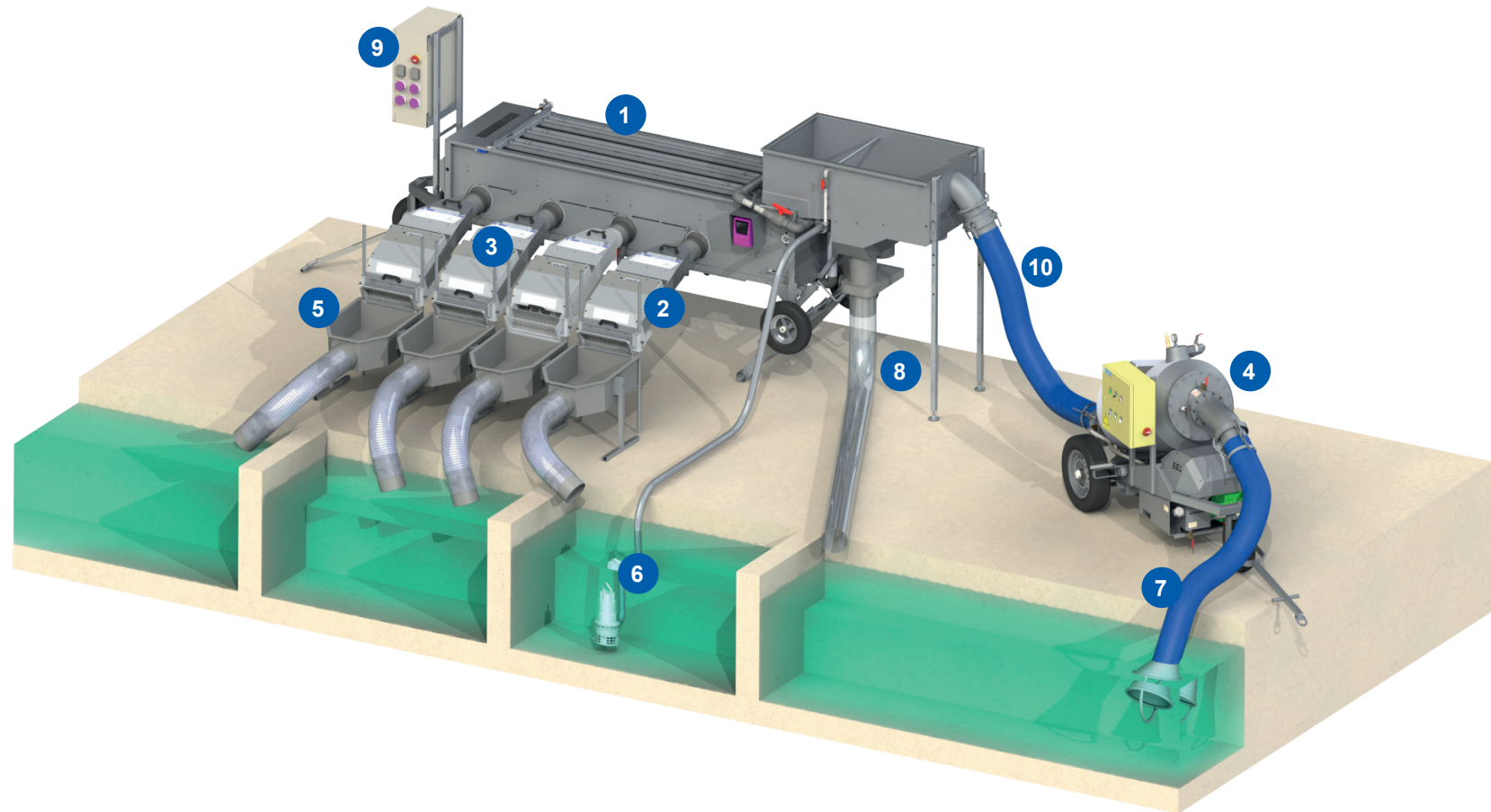
Sea Bream

40g to 800g



Sea Bass

PESCAVAC  
Fish pump



- 1 1 Fish grader Helios 40
- 2 1 Fish counters Pescavision 30
- 3 3 Fish counters Pescavision 50
- 4 1 Fish pump Pescavac 8
- 5 4 Reception tanks outlet Ø250mm
- 6 1 Submersible water pump 40m<sup>3</sup>/h
- 7 4 m suction flexible pipes Ø200mm (8 in)
- 8 5 m dewatering pipes Ø 200mm (8 in)
- 9 1 Control box
- 10 6 m discharge flexible pipes Ø200mm (8 in)



9

Electrical box to plug fish pump counters and water pump  
Ref. (3x400v 50/60Hz) : THC002  
Ref. (3x230v 50/60Hz) : THC006



6

Submersible water pump delivered with 5m of flexible pipe and storz fittings to plug at grader  
Ref. (Sea water 316L) : TPOW40I6T5

## Pescavac 8



### Specifications

Fish pump model	<b>PESCAVAC 8</b>
Vacuum pump motor	5.3kW 400V 3ph 50Hz
Inlet Ø	(200mm) 8" female cam-lock
Outlet Ø	(200mm) 8" male cam-lock
Maximum discharge head	5 m (196 in)
Maximum suction head	4 m (157 in)
Fish size	Up to 2,5kg Trout/Salmon
Fish size	Up to 1,5kg Bass/Bream/Tilapia
Dimensions (m)	2,5 L x 1,15 l x 1,5 H 98"L x 45"W x 60"H
Weight	440kg - 970lbs
Stainless steel quality	AISI 316L
Reference (fresh and sea water)	<b>PV0801</b>

## Pescavision 30 & 50



### Specifications

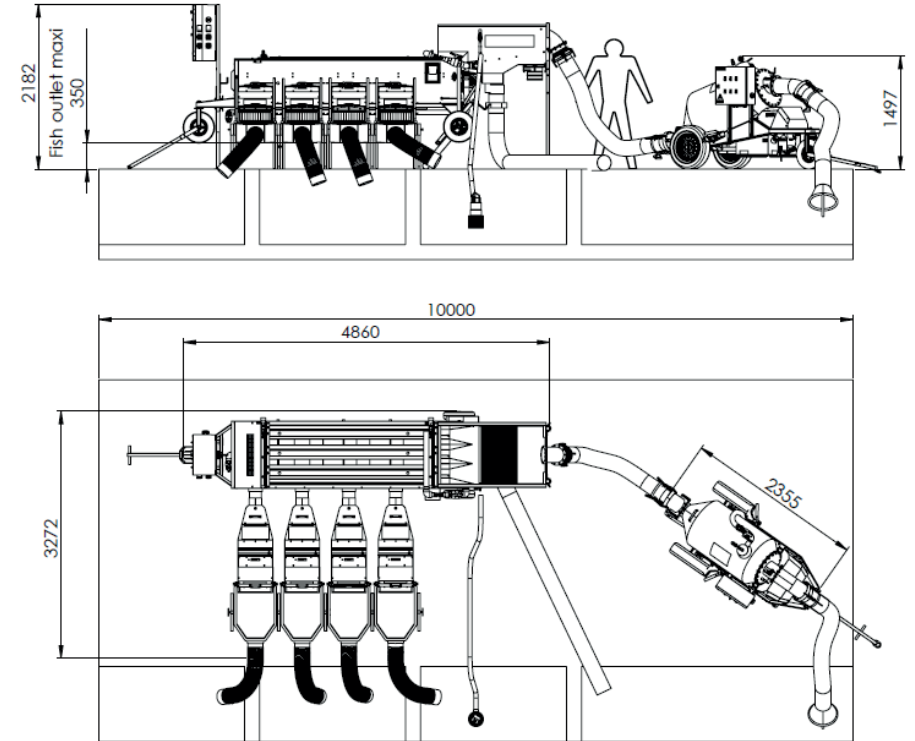
Fish counter model	PESCAVISION 30		PESCAVISION 50	
	Trouts Salmons	Bass/Bream/ Tilapia/Carps/ Perch	Trouts Salmons	Bass/Bream/ Tilapia/Carps/ Perch
Fish species				
Fish from	40g to 1kg	40g to 500g	400g to 4,5kg	500g to 3kg
Capacity (maxi)	3T/h	3T/h	4T/h	4T/h
Channels number	4	4	2	2
Channels width	100mm	100mm	200mm	200mm
Connection diameter	160mm	160mm	200mm	200mm
Accuracy	98% - 100%	98% - 100%	98% - 100%	98% - 100%
Dimensions	1,3x0,4x0,5m		1,5x0,5x0,6	
Weight	20kg		20kg	
Voltage	24v		24v	
Reference (fresh and sea water)	PESCA30		PESCA50	

## Helios 40



### Specifications

Grader model	<b>HELIOS 40</b>
Nbr of channels	3
Nbr of size	4
Lenght of grading channels(mm)	2500
Max. channels opening (mm)	65
Nbr of outlets Ø (mm)	8xØ200
Weight min.-max. Trout/Salmon	5g - 1,5Kg
Weight min.-max. Bass/Bream/ Tilapia/Carp	5g - 800g
Hourly rate (tons/hour)	3 - 4
Dimensions (m)	3,9x1,00
Height (m)	1,3
Motor power 220 V 1ph (50 Hz/60 Hz) / 380 V 3ph (50 Hz/60 Hz)	0,37 kw
Advice pump flow (m3/h)	40
Reference (Sea water 316L)	TH4036

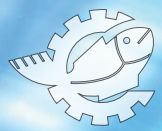


### Power ratings and weights summary

Machines	Power	Weight
Fish grader Heliosvision 40	0,55 kw	580 kg - 1278 lbs
Fish pump PESCAVAC 8"	5,3 kw	440 kg - 970 lbs
Water pump 40 m3/h	1,1 kw	30 kg - 66 lbs

All packs are given as an example and can be modified according to the customer needs





7

## Fast Eco Pack

4 to 6 tons/hour

4 sizes :

- 1 Fish pump PescaVac 8 (up to 2,5kg)
- 1 Grader Helios 400 (5g-1,5kg) / 5 channel counter
- 1 Water pump 50m<sup>3</sup>/h
- 1 Control box
- 2 Fish counters Pescavision 30 (40g-1kg)
- 2 Fish counters Pescavision 50 (500g-4,5kg)
- 4 Reception tanks

Fresh and Sea water pack  
Ref : PACGO-BFEI6

40g to 1,5kg



Trout / Salmon

30g to 800g



Tilapia

40g to 800g



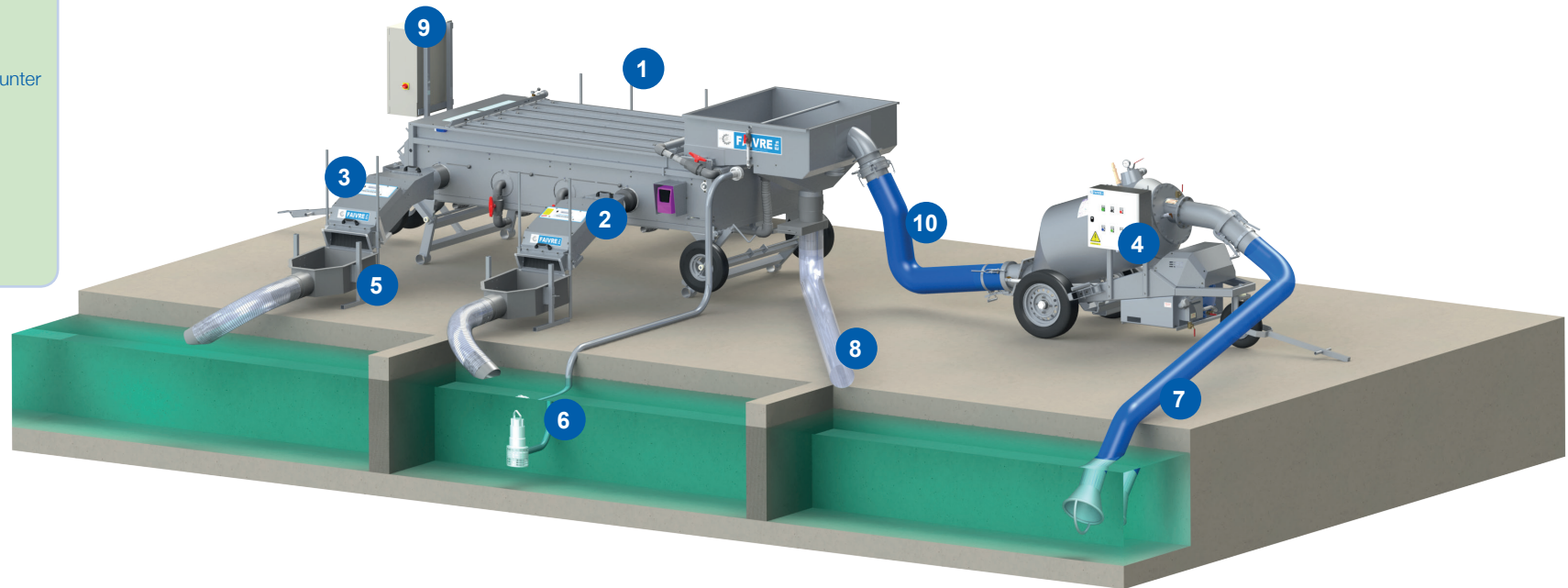
Sea Bream

40g to 800g



Sea Bass

PESCAVAC  
Fish pump



- 1 1 Fish grader Helios 400
- 2 2 Fish counters Pescavision 30
- 3 2 Fish counters Pescavision 50
- 4 1 Fish pump PescaVac 8
- 5 4 Reception tanks outlet Ø250mm
- 6 1 Submersible water pump 50m<sup>3</sup>/h
- 7 4 m suction flexible pipes Ø200mm (8 in)
- 8 5 m dewatering pipes Ø 200mm (8 in)
- 9 1 Control box
- 10 6 m discharge flexible pipes Ø200mm (8 in)



9

Electrical box to plug fish pump  
counters and water pump  
Ref. (3x400v 50/60Hz) : THC002  
Ref. (3x230v 50/60Hz) : THC006



6

Submersible water pump delivered  
with 5m of flexible pipe and storz  
fittings to plug at grader  
Ref. (Sea water 316L) : TPOW50I6T5



● **Pescavac 8**



● **Specifications**

Fish pump model	<b>PESCAVAC 8</b>
Vacuum pump motor	5.3kW 400V 3ph 50Hz
Inlet Ø	(200mm) 8" female cam-lock
Outlet Ø	(200mm) 8" male cam-lock
Maximum discharge head	5 m (196 in)
Maximum suction head	4 m (157 in)
Fish size	Up to 2,5kg Trout/Salmon
Fish size	Up to 1,5kg Bass/Bream/Tilapia
Dimensions (m)	2,5 L x 1,15 l x 1,5 H 98"L x 45"W x 60"H
Weight	440kg - 970lbs
Stainless steel quality	AISI 316L
Reference (fresh and sea water)	<b>PV0801</b>

● **Pescavision 30 & 50**



● **Specifications**

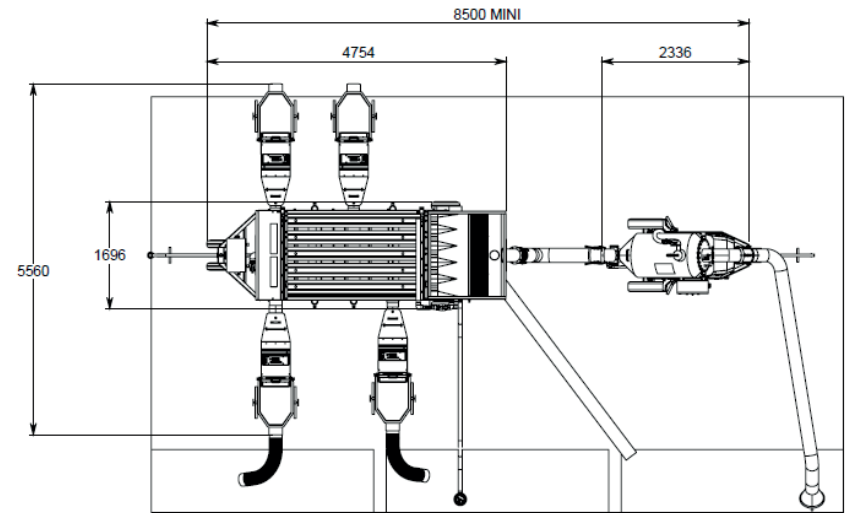
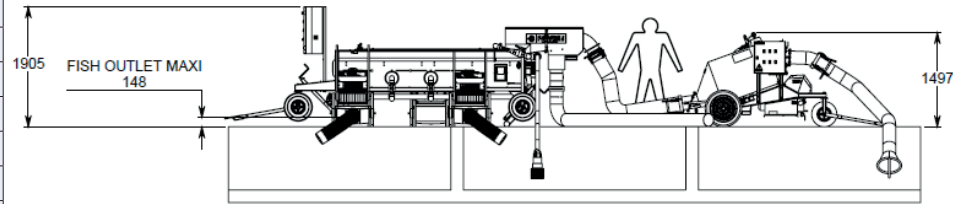
Fish counter model	PESCAVISION 30		PESCAVISION 50	
	Trouts Salmons	Bass/Bream/ Tilapia/Carp/ Perch	Trouts Salmons	Bass/Bream/ Tilapia/Carp/ Perch
Fish from	40g to 1kg	40g to 500g	400g to 4,5kg	500g to 3kg
Capacity (maxi)	3T/h	3T/h	4T/h	4T/h
Channels number	4	4	2	2
Channels width	100mm	100mm	200mm	200mm
Connection diameter	160mm	160mm	200mm	200mm
Accuracy	98% - 100%	98% - 100%	98% - 100%	98% - 100%
Dimensions	1,3x0,4x0,5m		1,5x0,5x0,6	
Weight	20kg		20kg	
Voltage	24v		24v	
Reference (fresh and sea water)	PESCA30		PESCA50	

● **Helios 400**



● **Specifications**

Grader model	<b>HELIOS 400</b>
Nbr of channels	5
Nbr of size	4
Length of grading channels(mm)	2500
Max. channels opening (mm)	65
Nbr of outlets Ø (mm)	8xØ200
Weight min.-max. Trout/Salmon	5g - 1,5Kg
Weight min.-max. Bass/Bream/ Tilapia/Carp	5g - 800g
Hourly rate (tons/hour)	4 - 6
Grader weight (kg)	520
Dimensions (m)	3,9x1,70
Height (m)	1,3
Motor power 220 V 1ph (50 Hz/60 Hz) / 380 V 3ph (50 Hz/60 Hz)	0,37 kw
Advice pump flow (m3/h)	50
Reference (Sea water 316L)	TH4056

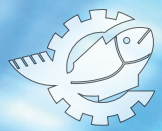


● **Power ratings and weights summary**

Machines	Power	Weight
Fish grader Helios 400	0,37 kw	520 kg - 1146 lbs
Fish pump PESCAVAC 8"	5,3 kw	440 kg - 970 lbs
Fish counter (one unit)	0,05kw	24 kg - 53 lbs
Water pump 50 m3/h	2,2 kw	30 kg - 66 lbs

All packs are given as an example and can be modified according to the customer needs





8

## Compact Ultra Pack

3 to 6 tons/hour

3 sizes :

- 1 Fish pump Pescamotion 8 (up to 2,5kg)
- 1 Grader Heliotion 40 (5g-1,5kg) / 3 Channel Counter
- 1 Water pump 40m<sup>3</sup>/h
- 1 Control box
- 3 Fish counters Pescavision integrated into grader

Fresh and Sea water pack  
Ref : PACGO-BCUI6

40g to 1,5kg



Trout / Salmon

30g to 800g



Tilapia

40g to 800g



Sea Bream

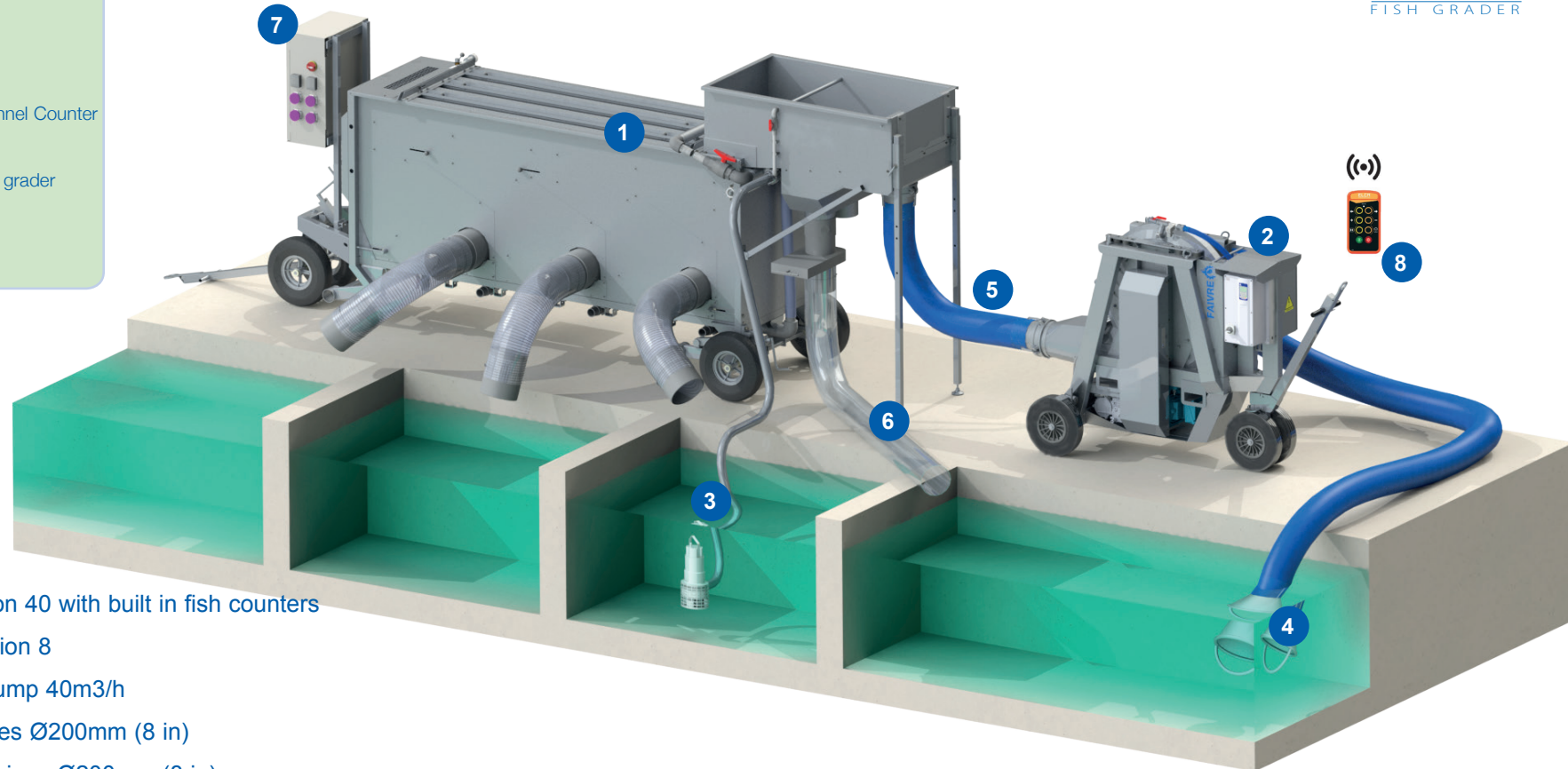
40g to 800g



Sea Bass

**PESCAMOTION**  
Fish pump

**HELIOVISION**  
FISH GRADER



- 1 1 Fish grader Heliotion 40 with built in fish counters
- 2 1 Fish pump Pescamotion 8
- 3 1 Submersible water pump 40m<sup>3</sup>/h
- 4 4 m suction flexible pipes Ø200mm (8 in)
- 5 6 m discharge flexible pipes Ø200mm (8 in)
- 6 5 m dewatering pipes Ø 200mm (8 in)
- 7 1 Control box
- 8 1 Fish pump Remote control



7

Electrical box to plug fish pump counters and water pump  
Ref. (3x400v 50/60Hz) : THC002  
Ref. (3x230v 50/60Hz) : THC006



3

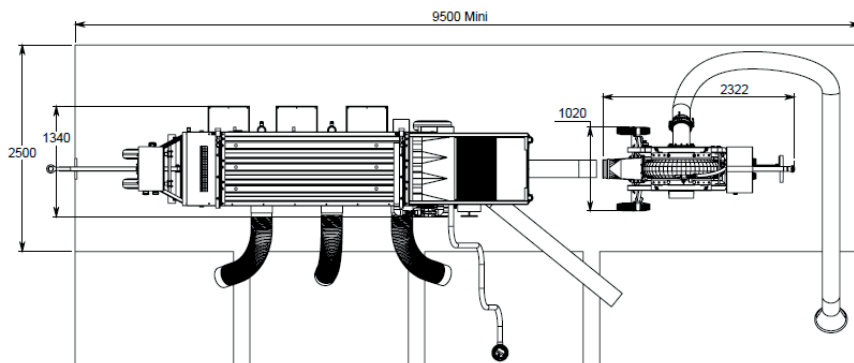
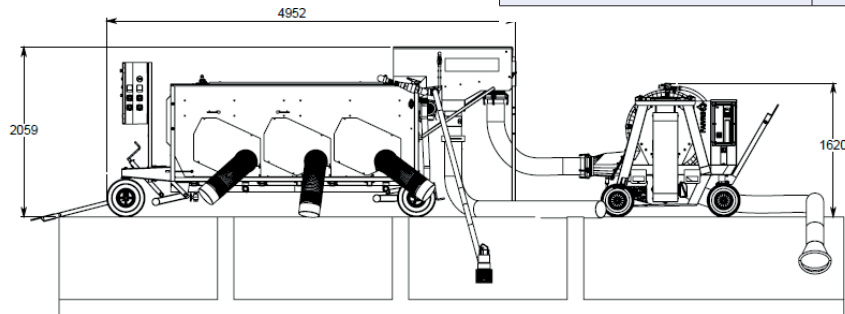
Submersible water pump delivered with 5m of flexible pipe and storz fittings to plug at grader  
Ref. (Sea water 316L) : TPOW40I6T5

## Pescamotion 8



### Specifications

Fish pump model	<b>PESCAMOTION 8</b>
Main drive motor:	11kW 400 V 3ph 50 Hz
Prime control:	Frequency variator
Prime drive motor:	0.75 kW 400 V 3ph 50 Hz
Inlet Ø:	(203mm) 8 in male camlock
Outlet Ø:	(203mm) 8 in male camlock
Total dynamic head	14m - 46ft( 3m suction and 11m discharge)
Fish size max.:	2500 g Trouts/Salmon
Pump speed:	100 to 390 rpm
Water flow:	380 m3/h - 1673 gpm
Dimensions (m)	1.74 L x 1,08 l x 1.64H
Weight	502 kg
Reference (fresh and sea water)	PH0802



## Heliovision 40



### Specifications

Grader model	<b>HELIOVISION 40</b>		
Counters configuration	3 Pescavision 30	2 Pescavision 30 1 Pescavision 50	1 Pescavision 30 2 Pescavision 50
Number of channels	3	3	3
Number of grades	3	3	3
Number of counters (Pescavision 30 or 50)	3	3	3
Channel length (mm)	2500	2500	2500
Max. channel opening (mm)	65	65	65
Number of exits and Ø (mm)	6xØ250	6xØ250	6xØ250
Min. max. weight, Trout/Salmon	40g - 1kg	40g - 1.5kg	40g - 1.5kg
Min. max. weight, Bass/Bream/Tilapia/Carp	40g - 500g	40g - 800g	40g - 800g
Hourly rate (tons/hour)	3 - 6	3 - 6	3 - 6
Weight (kg)	580	580	580
Dimensions (m)	3.9L x 1.25 l	3.9L x 1.25 l	3.9L x 1.25 l
Height (m)	1.80	1.80	1.80
Motor power 220 V 1ph (50 Hz/60 Hz) / 380 V 3ph (50 Hz/60 Hz)	0.37 kw	0.37 kw	0.37 kw
Recommended pump output (m³/h)	40	40	40
References (Sea water 316L)	TC40306	TC40216	TC40126

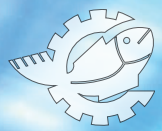
### Power ratings and weights summary

Machines	Power	Weight
Fish grader Heliovision 40	0,55 kw	580 kg - 1278 lbs
Fish pump PESCAMOTION 8"	5,3 kw	502 kg - 1100 lbs
Water pump 40 m3/h	1,1 kw	30 kg - 66 lbs

All packs are given as an example and can be modified according to the customer needs







9

## Standard Ultra Pack

3 to 4 tons/hour

4 sizes :

- 1 Fish pump Pescamotion 8 (up to 2,5kg)
- 1 Grader Helios 40 (5g-1,5kg) / 3 channel Counteur
- 1 Water pump 40m<sup>3</sup>/h
- 1 Control box
- 1 Fish counters PescaVision 30 (40g-1kg)
- 3 Fish counters PescaVision 50 (400g-4,5kg)
- 4 Reception tanks

Fresh and Sea water pack  
Ref : PACGO-BSUI6

40g to 1,5kg



Trout / Salmon

30g to 800g



Tilapia

40g to 800g



Sea Bream

40g to 800g

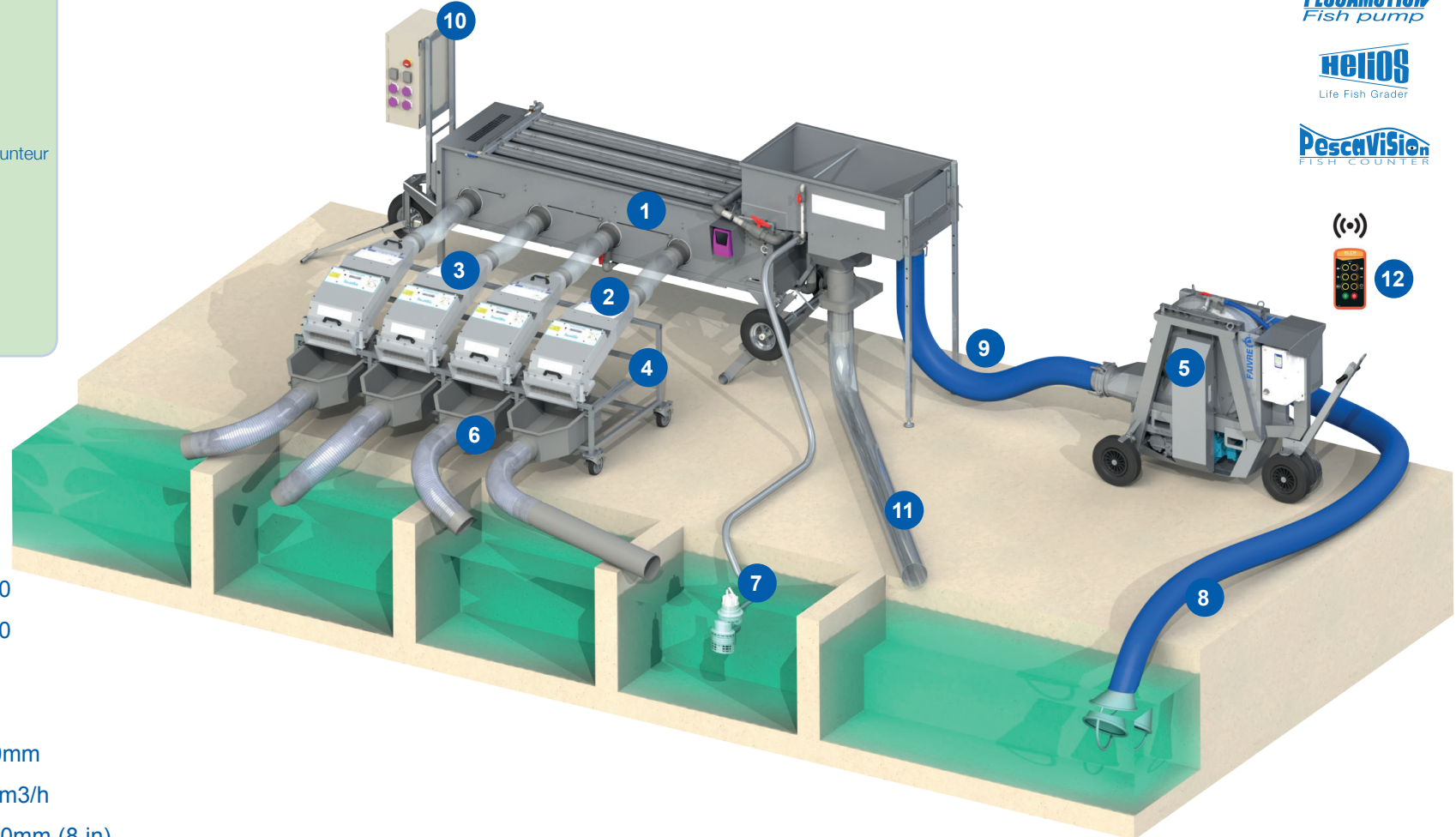


Sea Bass

**PESCAMOTION**  
Fish pump

**HELIOS**  
Life Fish Grader

**PescaVision**  
FISH COUNTER



- 1 1 Fish grader Helios 40
- 2 1 Fish counters PescaVision 30
- 3 3 Fish counters PescaVision 50
- 4 1 Counting station (Option)
- 5 1 Fish pump Pescamotion 8
- 6 4 Reception tanks outlet Ø200mm
- 7 1 Submersible water pump 40m<sup>3</sup>/h
- 8 4 m suction flexible pipes Ø200mm (8 in)
- 9 5 m dewatering pipes Ø 200mm (8 in)
- 10 1 Control box
- 11 6 m discharge flexible pipes Ø200mm (8 in)
- 12 1 Fish pump Remote control



10

Electrical box to plug fish pump counters and water pump  
Ref. (3x400v 50/60Hz) : THC002  
Ref. (3x230v 50/60Hz) : THC006



7

Submersible water pump delivered with 5m of flexible pipe and storz fittings to plug at grader  
Ref. (Sea water 316L) : TPOW40I6T5

## Pescamotion 8



### Specifications

Fish pump model	<b>PESCAMOTION 8</b>
Main drive motor:	11kW 400 V 3ph 50 Hz
Prime control:	Frequency variator
Prime drive motor:	0.75 kW 400 V 3ph 50 Hz
Inlet Ø:	(203mm) 8 in male camlock
Outlet Ø:	(203mm) 8 in male camlock
Total dynamic head	14m - 46ft (3m suction and 11m discharge)
Fish size max.:	2500 g Trouts/Salmon
Pump speed:	100 to 390 rpm
Water flow:	380 m <sup>3</sup> /h - 1673 gpm
Dimensions (m)	1.74 L x 1,08 l x 1.64H
Weight	502 kg
Reference (fresh and sea water)	PH0802

## Helios 40



### Specifications

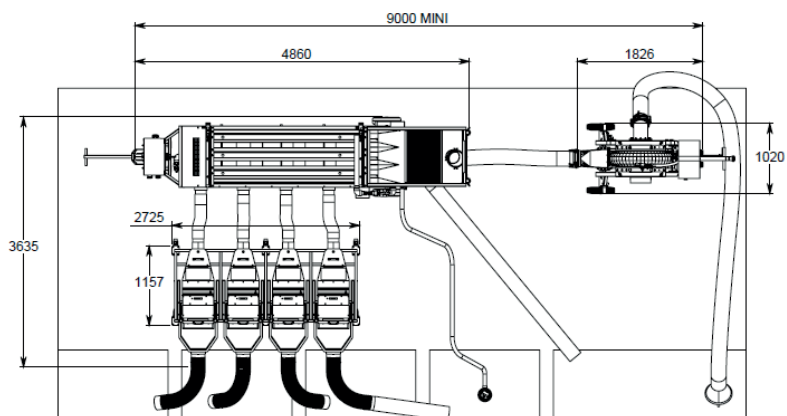
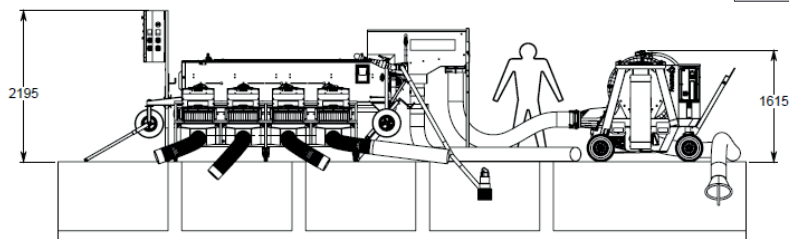
Grader model	<b>HELIOS 40</b>
Nbr of channels	3
Nbr of size	4
Length of grading channels(mm)	2500
Max. channels opening (mm)	65
Nbr of outlets Ø (mm)	8xØ200
Weight min.-max. Trout/Salmon	5g - 1,5Kg
Weight min.-max. Bass/Bream/Tilapia/Carp	5g - 800g
Hourly rate (tons/hour)	3 - 4
Dimensions (m)	3,9x1,00
Height (m)	1,3
Motor power 220 V 1ph (50 Hz/60 Hz) / 380 V 3ph (50 Hz/60 Hz)	0,37 kw
Advice pump flow (m <sup>3</sup> /h)	40
Reference (Sea water 316L)	TH4036

## Pescavision 30 & 50



### Specifications

Fish counter model	<b>PESCAVISION 30</b>		<b>PESCAVISION 50</b>	
	Trouts Salmons	Bass/Bream/ Tilapia/Carps/ Perch	Trouts Salmons	Bass/Bream/ Tilapia/Carps/ Perch
Fish species				
Fish from	40g to 1kg	40g to 500g	400g to 4,5kg	500g to 3kg
Capacity (maxi)	3T/h	3T/h	4T/h	4T/h
Channels number	4	4	2	2
Channels width	100mm	100mm	200mm	200mm
Connection diameter	160mm	160mm	200mm	200mm
Accuracy	98% - 100%	98% - 100%	98% - 100%	98% - 100%
Dimensions	1,3x0,4x0,5m		1,5x0,5x0,6	
Weight	20kg		20kg	
Voltage	24v		24v	
Reference (fresh and sea water)	PESCA30		PESCA50	

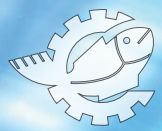


### Power ratings and weights summary

Machines	Power	Weight
Fish grader Helios 40	0,37 kw	480 kg - 1058 lbs
Fish pump Pescamotion 8	5,3 kw	502 kg - 1100 lbs
Fish counter (one unit)	0,05 kw	24 kg - 53 lbs
Water pump 40m <sup>3</sup> /h	1,1 kw	30 kg - 66 lbs

All packs are given as an example and can be modified according to the customer needs





10

## Fast Ultra Pack

4 to 6 tons/hour

### 4 sizes :

- 1 Fish pump Pescamotion 8 (Up to 2,5kg)
- 1 Grader Helios 400 (5g-1,5kg) / 5 Channel Counter
- 1 Water pump 50m<sup>3</sup>/h
- 1 Control box
- 2 Fish counters Pescavision 30 (40g-1kg)
- 2 Fish counters Pescavision 50 (500g-4,5kg)
- 4 Reception tanks

Fresh and Sea water pack  
Ref : PACGO-BFUI6

40g to 1,5kg



Trout / Salmon

30g to 800g



Tilapia

40g to 800g



Sea Bream

40g to 800g

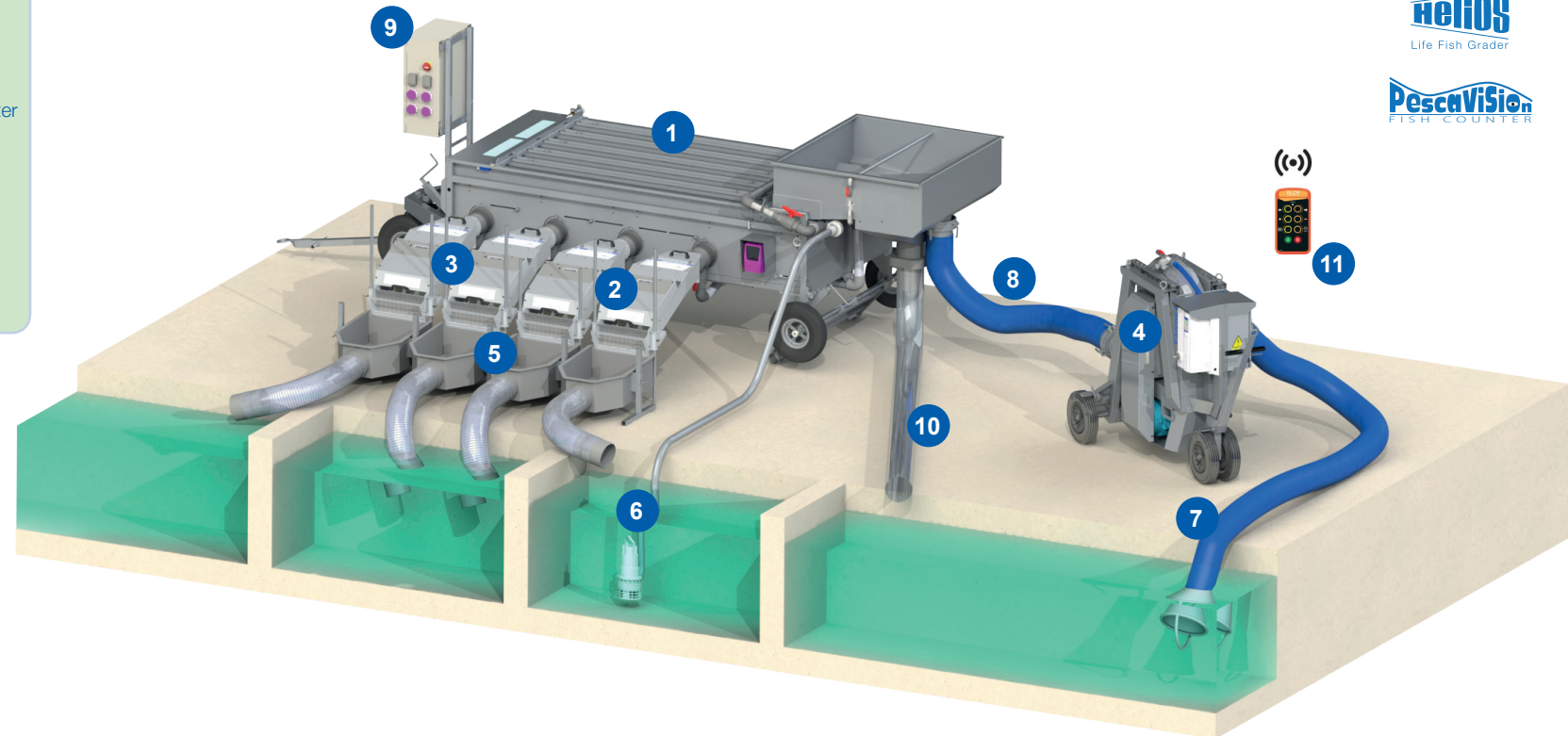


Sea Bass

**PESCAMOTION**  
Fish pump

**HELIOS**  
Life Fish Grader

**PescaVision**  
FISH COUNTER



- 1 1 Fish grader Helios 400
- 2 2 Fish counters Pescavision 30
- 3 2 Fish counters Pescavision 50
- 4 1 Fish pump Pescamotion 8
- 5 4 Reception tanks outlet Ø200mm
- 6 1 Submersible water pump 50m<sup>3</sup>/h
- 7 4 m suction flexible pipes Ø200mm (8 in)
- 8 5 m dewatering pipes Ø 200mm (8 in)
- 9 1 Control box
- 10 6 m discharge flexible pipes Ø200mm (8 in)
- 11 1 Fish pump Remote control



9

Electrical box to plug fish pump counters and water pump  
Ref. (3x400v 50/60Hz) : THC002  
Ref. (3x230v 50/60Hz) : THC006



6

Submersible water pump delivered with 5m of flexible pipe and storz fittings to plug at grader  
Ref. (Sea water 316L) : TPOW50I6T5

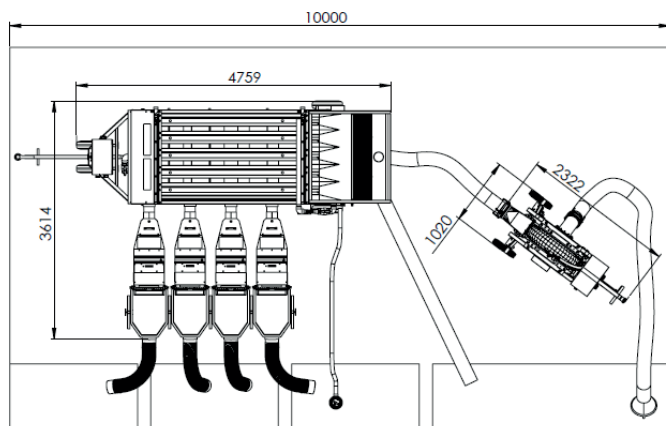
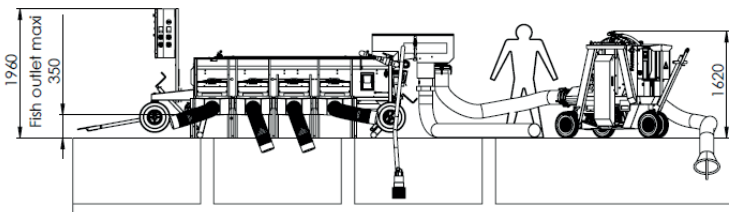


## Pescamotion 8



### Specifications

Fish pump model	PESCAMOTION 8
Main drive motor:	11kW 400 V 3ph 50 Hz
Prime control:	Frequency variator
Prime drive motor:	0.75 kW 400 V 3ph 50 Hz
Inlet Ø:	(203mm) 8 in male camlock
Outlet Ø:	(203mm) 8 in male camlock
Total dynamic head	14m - 46ft( 3m suction and 11m discharge)
Fish size max.:	2500 g Trouts/Salmon
Pump speed:	100 to 390 rpm
Water flow:	380 m3/h - 1673 gpm
Dimensions (m)	1.74 L x 1,08 l x 1.64H
Weight	502 kg
Reference (fresh and sea water)	PH0802



## Helios 400



### Specifications

Grader model	HELIOS 400
Nbr of channels	5
Nbr of size	4
Length of grading channels(mm)	2500
Max. channels opening (mm)	65
Nbr of outlets Ø (mm)	8xØ200
Weight min.-max. Trout/Salmon	5g - 1,5Kg
Weight min.-max. Bass/Bream/Tilapia/Carp	5g - 800g
Hourly rate (tons/hour)	4 - 6
Grader weight (kg)	520
Dimensions (m)	3,9x1,70
Height (m)	1,3
Motor power 220 V 1ph (50 Hz/60 Hz) / 380 V 3ph (50 Hz/60 Hz)	0,37 kw
Advice pump flow (m3/h)	50
Reference (Sea water 316L)	TH4056

## Pescavision 30 & 50



### Specifications

Fish counter model	PESCAVISION 30		PESCAVISION 50	
	Trouts Salmons	Bass/Bream/ Tilapia/Carps/ Perch	Trouts Salmons	Bass/Bream/ Tilapia/Carps/ Perch
Fish from	40g to 1kg	40g to 500g	400g to 4,5kg	500g to 3kg
Capacity (maxi)	3T/h	3T/h	4T/h	4T/h
Channels number	4	4	2	2
Channels width	100mm	100mm	200mm	200mm
Connection diameter	160mm	160mm	200mm	200mm
Accuracy	98% - 100%	98% - 100%	98% - 100%	98% - 100%
Dimensions	1,3x0,4x0,5m		1,5x0,5x0,6	
Weight	20kg		20kg	
Voltage	24v		24v	
Reference (fresh and sea water)	PESCA30		PESCA50	

### Power ratings and weights summary

Machines	Power	Weight
Fish grader Helios 400	0,37 kw	520 kg - 1146 lbs
Fish pump Pescamotion 8	5,3 kw	502 kg - 1100 lbs
Fish counter (one unit)	0,05 kw	24 kg - 53 lbs
Water pump 50 m3/h	2,2 kw	30 kg - 66 lbs

All packs are given as an example and can be modified according to the customer needs



# Harvesting Packs





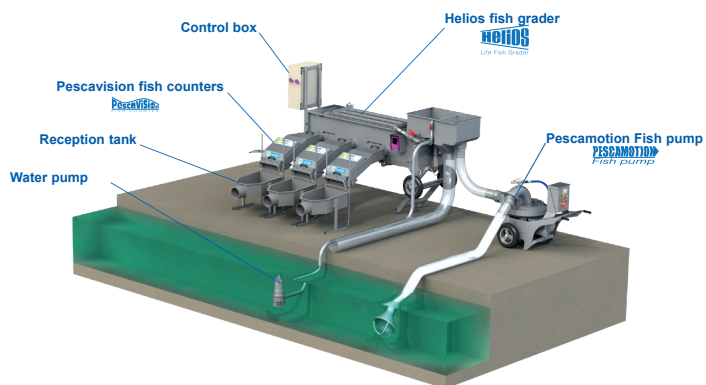
# Harvesting packs

Why buy a full Harvesting pack?

This ensures that all your equipment will be compatible with each other.

We have 4 packs with different sizes and hourly flow :

You just need to choose the right Harvesting Pack for your farm.



**1**

**Standard**  
Page 44

**40g to 2,5kg - 3 to 6 tons/hour**

**3 sizes :**

- 1 Fish pump Pescamotion 8 (up to 2,5kg)
- 1 Grader Helios 50 (10g-2,5kg)
- 1 Water pump 40m<sup>3</sup>/h
- 1 Control box
- 1 Fish counters PescaVision 30 (40g-1kg)
- 2 Fish counters PescaVision 50 (400g-4,5kg)
- 3 Reception tanks

Fresh and Sea water pack

Ref : PACHR-STD16

**2**

**Compact**  
Page 46

**40g to 2,5kg - 3 to 6 tons/hour**

**3 sizes :**

- 1 Fish pump Pescavac 8 (up to 3,5kg)
- 1 Grader HelioVision 50 (40g-2,5kg)
- 1 Water pump 40m<sup>3</sup>/h
- 1 Control box
- 3 Fish counters PescaVision (integrated into grader)

Fresh and Sea water pack

Ref : PACHR-CPT16

**3**

**Big**  
Page 48

**400g to 3,5kg - 3 to 4 tons/hour**

**3 sizes :**

- 1 Fish pump Pescavac 8 (up to 3,5kg)
- 1 Grader Helios 60 (100g-4,5kg)
- 1 Water pump 50m<sup>3</sup>/h
- 1 Control box
- 3 Fish counters PescaVision 50 (500g-4kg)
- 3 Reception tanks

Fresh and Sea water pack

Ref : PACHR-BIG16

**4**

**Big & Fast**  
Page 50

**400g to 3,5kg - 4 to 6 tons/hour**

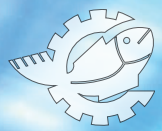
**3 sizes :**

- 1 Fish pump Pescavac 8 (up to 3,5kg)
- 1 Grader Helios 600 (100g-4,5kg)
- 1 Water pump 50m<sup>3</sup>/h
- 1 Control box
- 3 Fish counters PescaVision 50 (400g-4,5kg)
- 3 Reception tanks

Fresh and Sea water pack

Ref : PACHR-BGF16





1

## Standard Pack

3 - 6 tons/hour

### 3 sizes :

- 1 Fish pump Pescamotion 8 (up to 2,5kg)
- 1 Grader Helios 50 (10g-2,5kg) / 3 Channel Counter
- 1 Water pump 40m<sup>3</sup>/h
- 1 Control box
- 1 Fish counters Pescavision 30 (40g-1kg)
- 2 Fish counters Pescavision 50 (400g-4,5kg)
- 3 Reception tanks

Fresh and Sea water pack  
Ref : PACHR-STD16

40g to 2,5kg



Trout / Salmon

30g to 1,5kg



Tilapia

40g to 1,5kg

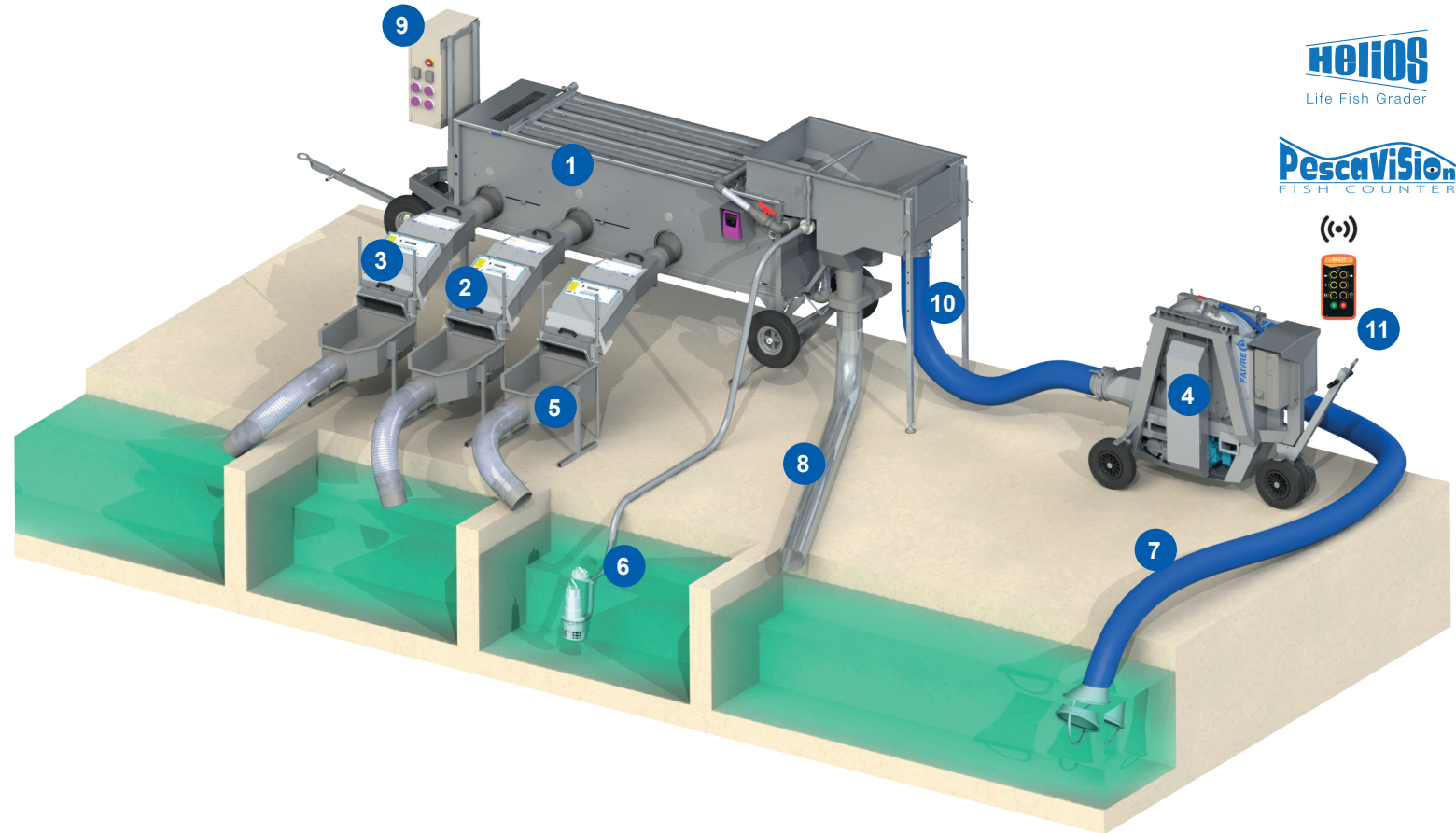


Sea Bream

40g to 1,5kg



Sea Bass



**HELIOS**  
Life Fish Grader

**PescaVision**  
FISH COUNTER

- 1 1 Fish grader Helios 50
- 2 1 Fish counter Pescavision 30
- 3 2 Fish counters Pescavision 50
- 4 1 Fish pump Pescamotion 8
- 5 3 Reception tanks outlet Ø 250 mm
- 6 1 Submersible water pump 40 m<sup>3</sup>/h
- 7 4 m suction flexible pipes Ø 200 mm (8 in)
- 8 5 m dewatering pipes Ø 200 mm (8 in)
- 9 1 Control box
- 10 6 m discharge flexible pipes Ø 200mm (8 in)
- 11 1 Fish pump Remote control



9

Electrical box to plug fish pump counters and water pump  
Ref. (3x400v 50/60Hz) : THC002  
Ref. (3x230v 50/60Hz) : THC006



6

Submersible water pump delivered with 5m of flexible pipe and storz fittings to plug at grader  
Ref. (Sea water 316L) : TPOW4016T5

## Pescamotion 8



### Specifications

Fish pump model	<b>PESCAMOTION 8</b>
Main drive motor:	11kW 400 V 3ph 50 Hz
Prime control:	Frequency variator
Prime drive motor:	0.75 kW 400 V 3ph 50 Hz
Inlet Ø:	(203mm) 8 in male camlock
Outlet Ø:	(203mm) 8 in male camlock
Total dynamic head	14m - 46ft (3m suction and 11m discharge)
Fish size max.:	2500 g Trouts/Salmon
Pump speed:	100 to 390 rpm
Water flow:	380 m3/h - 1673 gpm
Dimensions (m)	1.74 L x 1,08 l x 1.64H
Weight	502 kg
Reference (fresh and sea water)	PH0802

## Pescavision 30 & 50



### Specifications

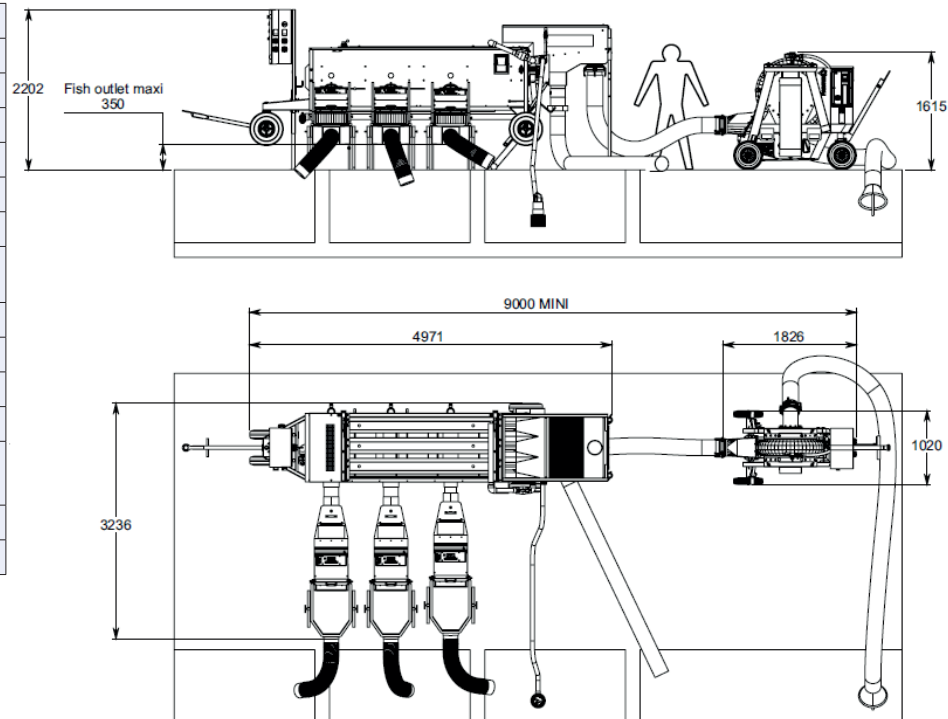
Fish counter model	PESCAVISION 30		PESCAVISION 50	
	Trouts Salmons	Bass/Bream/ Tilapia/Carp/ Perch	Trouts Salmons	Bass/Bream/ Tilapia/Carp/ Perch
Fish species				
Fish from	40g to 1kg	40g to 500g	500g to 4,5kg	500g to 3kg
Capacity (maxi)	3T/h	3T/h	4T/h	4T/h
Channels number	4	4	2	2
Channels width	100mm	100mm	200mm	200mm
Connection diameter	160mm	160mm	200mm	200mm
Accuracy	98% - 100%	98% - 100%	98% - 100%	98% - 100%
Dimensions	1,3x0,4x0,5m		1,5x0,5x0,6	
Weight	20kg		20kg	
Voltage	24v		24v	
Reference (fresh and sea water)	PESCA30		PESCA50	

## Helios 50



### Specifications

Grader model	<b>HELIOS 50</b>
Nbr of channels	3
Nbr of size	3
Length of grading channels(mm)	2500
Max. channels opening (mm)	80
Nbr of outlets Ø (mm)	6xØ250
Weight min.-max. Trout/Salmon	10g - 2,5Kg
Weight min.-max. Bass/Bream/ Tilapia/Carp	10g - 1,5Kg
Hourly rate (tons/hour)	3 - 6
Grader weight (kg)	500
Dimensions (m)	3,7x1,20
Height (m)	1,5
Motor power 220 V 1ph (50 Hz/60 Hz) / 380 V 3ph (50 Hz/60 Hz)	0,55 kw
Advice pump flow (m3/h)	50
Reference (Sea water 316L)	TH5036

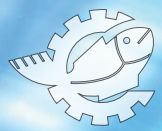


### Power ratings and weights summary

Machines	Power	Weight
Fish grader Helios 50	0,55 kw	500 kg - 1102 lbs
Fish pump PESCAMOTION 8"	5,3 kw	502 kg - 1100 lbs
Fish counter (one unit)	0,05 kw	24 kg - 53 lbs
Water pump 40 m3/h	1,1 kw	30 kg - 66 lbs

All packs are given as an example and can be modified according to the customer needs





## 2 Compact Pack

3 to 6 tons/hour

### 3 sizes :

- 1 Fish pump Pescavac 8 (up to 3,5kg)
- 1 Grader Heliovision 50 (40g-2,5kg) / 3 Channel Counter
- 1 Water pump 40m<sup>3</sup>/h
- 1 Control box
- 3 Fish counters Pescavision integrated into grader

Fresh and Sea water pack  
Ref : PACHR-CPT16

40g to 2,5kg



Trout / Salmon

30g to 1,5kg



Tilapia

40g to 1,5kg



Sea Bream

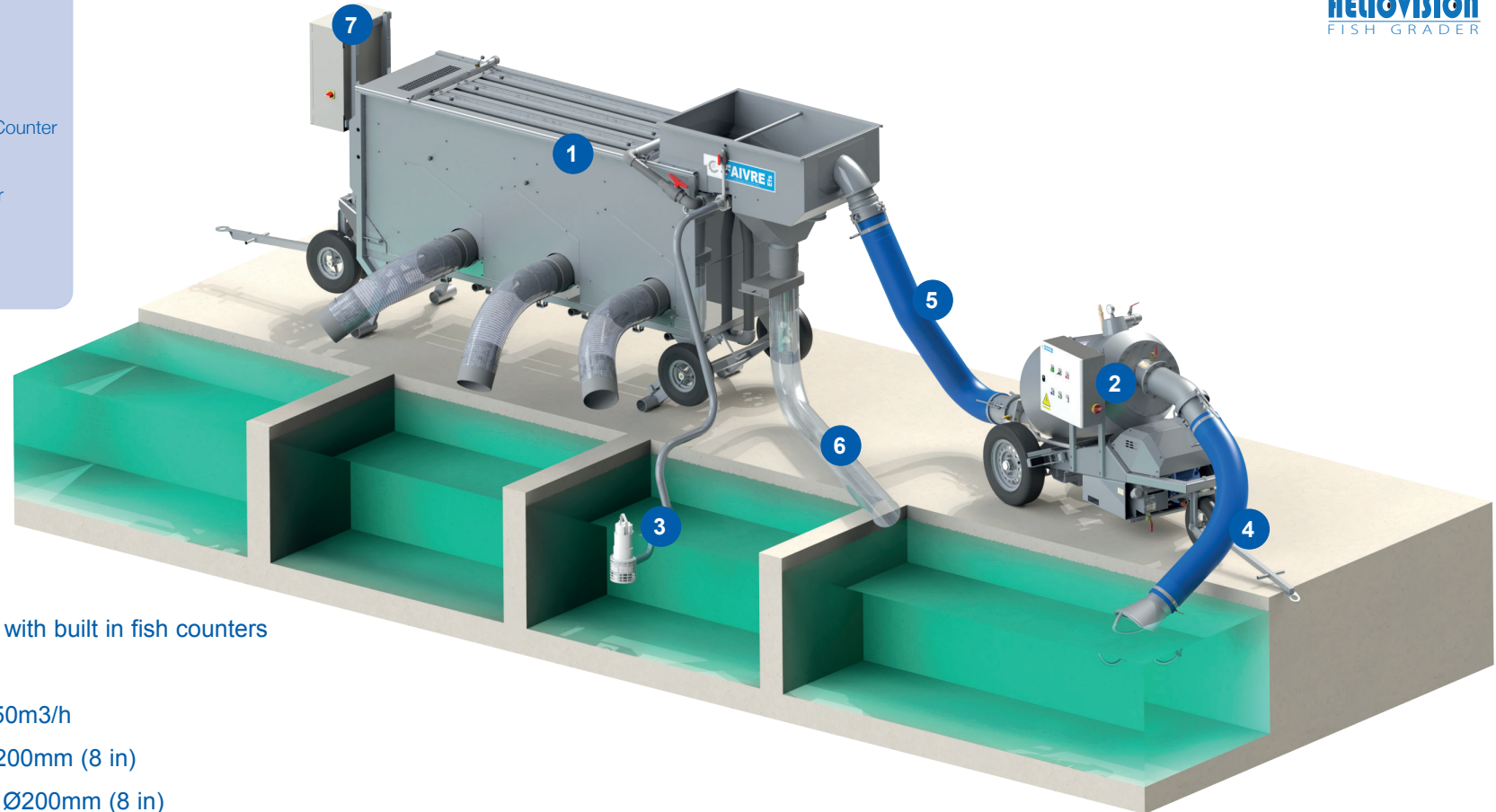
40g to 1,5kg



Sea Bass

PESCAVAC  
Fish pump

HELIOVISION  
FISH GRADER



- 1 1 Fish grader Heliovision 50 with built in fish counters
- 2 1 Fish pump Pescavac 8
- 3 1 Submersible water pump 50m<sup>3</sup>/h
- 4 4 m suction flexible pipes Ø200mm (8 in)
- 5 6 m discharge flexible pipes Ø200mm (8 in)
- 6 5 m dewatering pipes Ø 200mm (8 in)
- 7 1 Control box



- 7 Electrical box to plug fish pump counters and water pump  
Ref. (3x400v 50/60Hz) : THC002  
Ref. (3x230v 50/60Hz) : THC006



- 3 Submersible water pump delivered with 5m of flexible pipe and storz fittings to plug at grader  
Ref. (Sea water 316L) : TPOW40I6T5

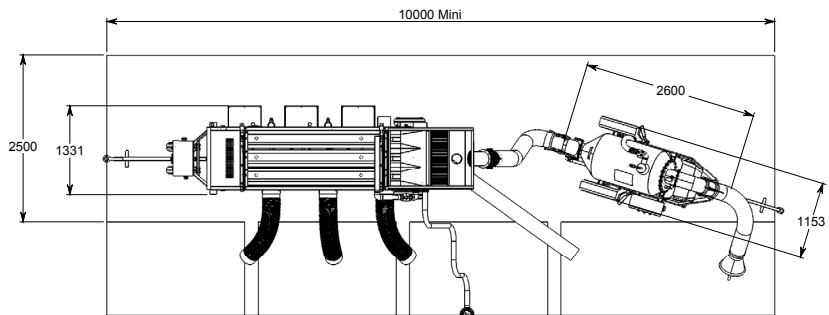
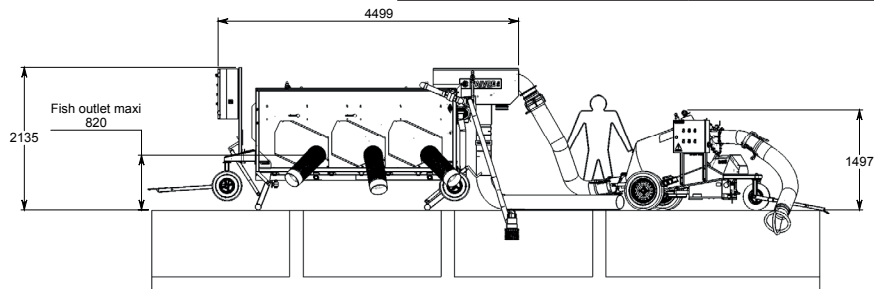


● **Pescavac 8**



● **Specifications**

Fish pump model	<b>PESCAVAC 8</b>
Vacuum pump motor	5.3kW 400V 3ph 50Hz
Inlet Ø	(200mm) 8" female cam-lock
Outlet Ø	(200mm) 8" male cam-lock
Maximum discharge head	5 m (196 in)
Maximum suction head	4 m (157 in)
Fish size	Up to 2,5kg Trout/Salmon
Fish size	Up to 1,5kg Bass/Bream/Tilapia
Dimensions (m)	2,5 L x 1,15 l x 1,5 H 98"L x 45"W x 60"H
Weight	440kg - 970lbs
Stainless steel quality	AISI 316L
Reference (fresh and sea water)	<b>PV0801</b>



● **Heliovision 50**



● **Specifications**

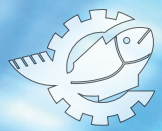
Grader model	<b>HELIOVISION 50</b>		
	3 Pescavision 50	2 Pescavision 50 1 Pescavision 30	1 Pescavision 50 2 Pescavision 30
Counters configuration			
Number of channels	3	3	3
Number of grades	3	3	3
Number of counters (Pescavision 30 or 50)	3	3	3
Channel length (mm)	2400	2400	2400
Max. channel opening (mm)	75	75	75
Number of exits and Ø (mm)	6xØ250	6xØ250	6xØ250
Min. max. weight, Trout/Salmon	500g - 2.5kg	40g - 2.5kg	40g - 2.5kg
Min. max. weight, TBass/Bream/Tilapia/Carp	500g - 2kg	40g - 2kg	40g - 2kg
Hourly rate (tons/hour)	3 - 6	3 - 6	3 - 6
Weight (kg)	600	600	600
Dimensions (m)	3.7 L x 1.50 l	3.7 L x 1.50 l	3.7 L x 1.50 l
Height (m)	2.00	2.00	2.00
Motor power 220 V 1ph (50 Hz/60 Hz) / 380 V 3ph (50 Hz/60 Hz)	0.55 kw	0.55 kw	0.55 kw
Recommended pump output (m³/h)	50	50	50
References (Sea water 316L)	TC50306	TC50216	TC50126

● **Power ratings and weights summary**

Machines	Power	Weight
Fish grader Heliovision 50	0,55 kw	600 kg - 1322 lbs
Fish pump PESCAVAC 8"	5,3 kw	440 kg - 970 lbs
Water pump 40 m3/h	1,1 kw	30 kg - 66 lbs

All packs are given as an example and can be modified according to the customer needs





## 3 Big Pack

3 to 4 tons/hour

### 3 sizes :

- 1 Fish pump Pescavac 8 (up to 3,5kg)
- 1 Grader Helios 60 (100g-4,5kg) / 3 Channel Counter
- 1 Water pump 50m<sup>3</sup>/h
- 1 Control box
- 3 Fish counters PescaVision 50 (400g-4,5kg)
- 3 Reception tanks

Fresh and Sea water pack  
Ref : PACHR-BIGI6

400g to 3,5kg



Trout / Salmon

300g to 2,5kg



Tilapia

300g to 2,5kg

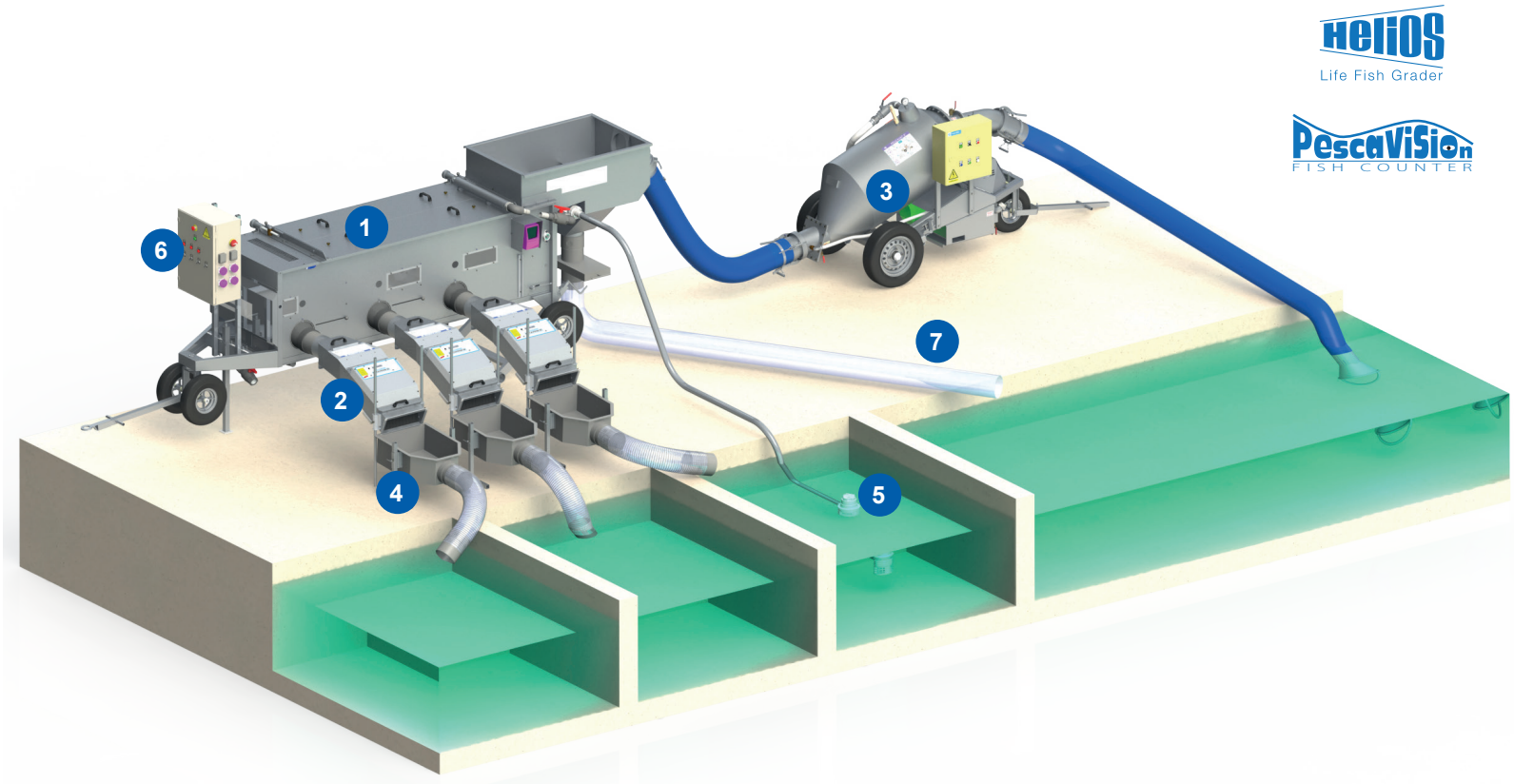


Sea Bream

400g to 2,5kg



Sea Bass



**HELIOS**  
Life Fish Grader

**PescaVision**  
FISH COUNTER

- 1 1 Fish grader Helios 60
- 2 3 Fish counters PescaVision 50
- 3 1 Fish pump Pescavac 8
- 4 3 Reception tanks outlet Ø250mm
- 5 1 Submersible water pump 50 m<sup>3</sup>/h
- 6 1 Control box
- 7 5 m dewatering pipes Ø 200 mm (8 in)



- 6 Electrical box to plug fish pump counters and water pump  
Ref. (3x400v 50/60Hz) : THC002  
Ref. (3x230v 50/60Hz) : THC006



- 5 Submersible water pump delivered with 5m of flexible pipe and storz fittings to plug at grader  
Ref. (Sea water 316L) : TPOW50I6T5

● **Pescavac 8**



● **Specifications**

Fish pump model	<b>PESCAVAC 8</b>
Vacuum pump motor	5.3kW 400V 3ph 50Hz
Inlet Ø	(200mm) 8" female cam-lock
Outlet Ø	(200mm) 8" male cam-lock
Maximum discharge head	5 m (196 in)
Maximum suction head	4 m (157 in)
Fish size	Up to 2,5kg Trout/Salmon
Fish size	Up to 1,5kg Bass/Bream/Tilapia
Dimensions (m)	2,5 L x 1,15 l x 1,5 H 98"L x 45"W x 60"H
Weight	440kg - 970lbs
Stainless steel quality	AISI 316L
Reference (fresh and sea water)	<b>PV0801</b>

● **Pescavision 50**



● **Specifications**

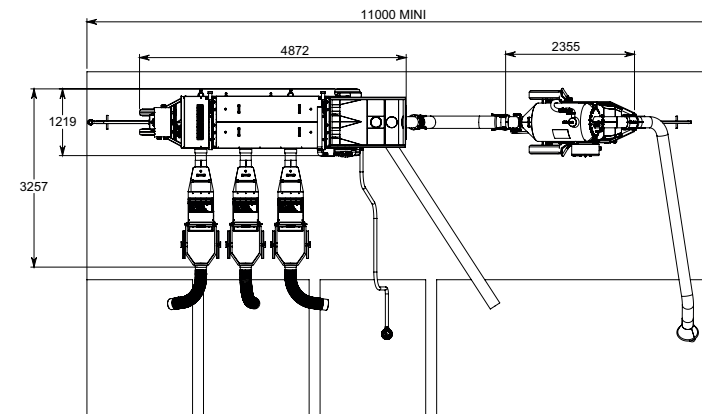
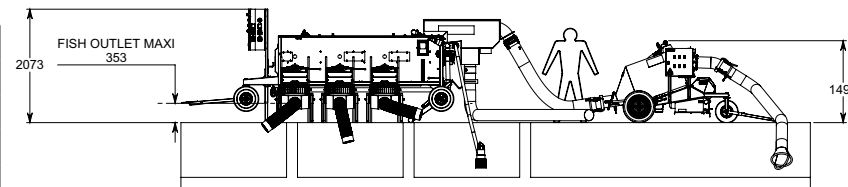
Fish counter model	<b>PESCAVISION 50</b>	
Fish species	Trouts Salmons	Bass/Bream/Tilapia/ Carp/Perch
Fish from	400g to 4,5kg	400g to 3kg
Capacity (maxi)	4T/h	4T/h
Channels number	2	2
Channels width	200mm	200mm
Connection diameter	200mm	200mm
Accuracy	98% - 100%	98% - 100%
Dimensions	1,5x0,5x0,6	
Weight	20kg	
Voltage	24v	
Reference (fresh and sea water)	<b>PESCA50</b>	

● **Helios 60**



● **Specifications**

Grader model	<b>HELIOS 60</b>
Nbr of channels	2
Nbr of size	3
Length of grading channels(mm)	2500
Max. channels opening (mm)	18 to 120
Nbr of outlets Ø (mm)	6xØ250
Weight min.-max. Trout/Salmon	100g - 4,5Kg
Weight min.-max. Bass/Bream/ Tilapia/Carp	100g - 3,5Kg
Hourly rate (tons/hour)	3 - 4
Grader weight (kg)	500
Dimensions (m)	4,6x1,20
Height (m)	1,65
Motor power 220 V 1ph (50 Hz/60 Hz) / 380 V 3ph (50 Hz/60 Hz)	0,55 kw
Advice pump flow (m3/h)	65
Reference (Sea water 316L)	<b>TH6026</b>



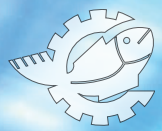
● **Power ratings and weights summary**

Machines	Power	Weight
Fish grader Helios 60	0,55 kw	500 kg - 1102 lbs
Fish pump PESCAVAC 8"	5,3 kw	440 kg - 970 lbs
Fish counter (one unit)	0,05 kw	24 kg - 53 lbs
Water pump 50 m3/h	2,2 kw	30 kg - 66 lbs

All packs are given as an example and can be modified according to the customer needs







4

## Big & Fast Pack

4 to 6 tons/hour

### 3 sizes :

- 1 Fish pump Pescavac 8 (up to 3,5kg)
- 1 Grader Helios 600 (100g-4,5kg) / 3 Channel Counter
- 1 Water pump 50m<sup>3</sup>/h
- 1 Control box
- 3 Fish counters PescaVision 50 (400g-4,5kg)
- 3 Reception tanks

Fresh and Sea water pack  
Ref : PACHR-BGFI6

400g to 3,5kg



Trout / Salmon

300g to 2,5kg



Tilapia

300g to 2,5kg



Sea Bream

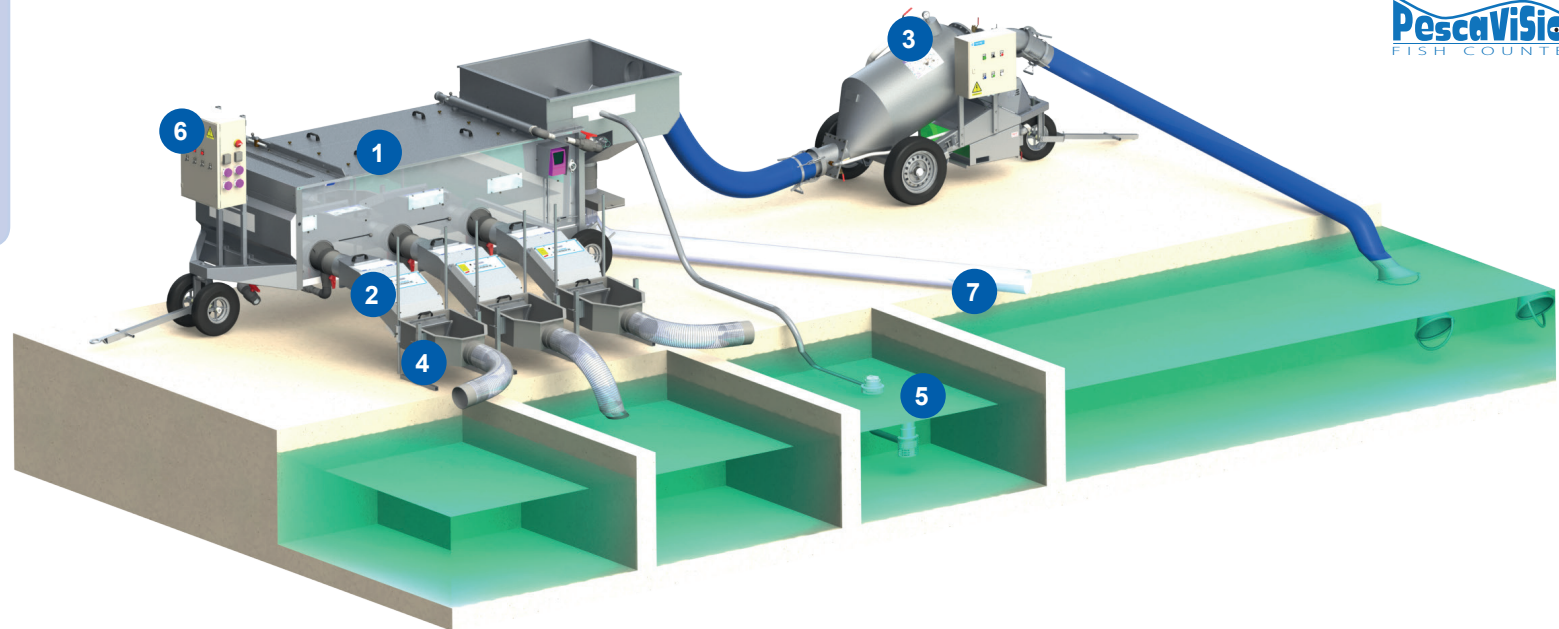
400g to 2,5kg



Sea Bass

**HELIOS**  
Life Fish Grader

**PescaVision**  
FISH COUNTER



- 1 1 Fish grader Helios 600
- 2 3 Fish counters PescaVision 50
- 3 1 Fish pump Pescavac 8
- 4 3 Reception tanks outlet Ø250mm
- 5 1 Submersible water pump 50 m<sup>3</sup>/h
- 6 1 Control box
- 7 5 m dewatering pipes Ø 200 mm (8 in)



6

Electrical box to plug fish pump  
counters and water pump  
Ref. (3x400v 50/60Hz) : THC002  
Ref. (3x230v 50/60Hz) : THC006



5

Submersible water pump delivered  
with 5m of flexible pipe and storz  
fittings to plug at grader  
Ref. (Sea water 316L) : TPOW50I6T5

## Pescavac 8



### Specifications

Fish pump model	<b>PESCAVAC 8</b>
Vacuum pump motor	5.3kW 400V 3ph 50Hz
Inlet Ø	(200mm) 8" female cam-lock
Outlet Ø	(200mm) 8" male cam-lock
Maximum discharge head	5 m (196 in)
Maximum suction head	4 m (157 in)
Fish size	Up to 2,5kg Trout/Salmon
Fish size	Up to 1,5kg Bass/Bream/Tilapia
Dimensions (m)	2,5 L x 1,15 l x 1,5 H 98"L x 45"W x 60"H
Weight	440kg - 970lbs
Stainless steel quality	AISI 316L
Reference (fresh and sea water)	<b>PV0801</b>

## Pescavision 50



### Specifications

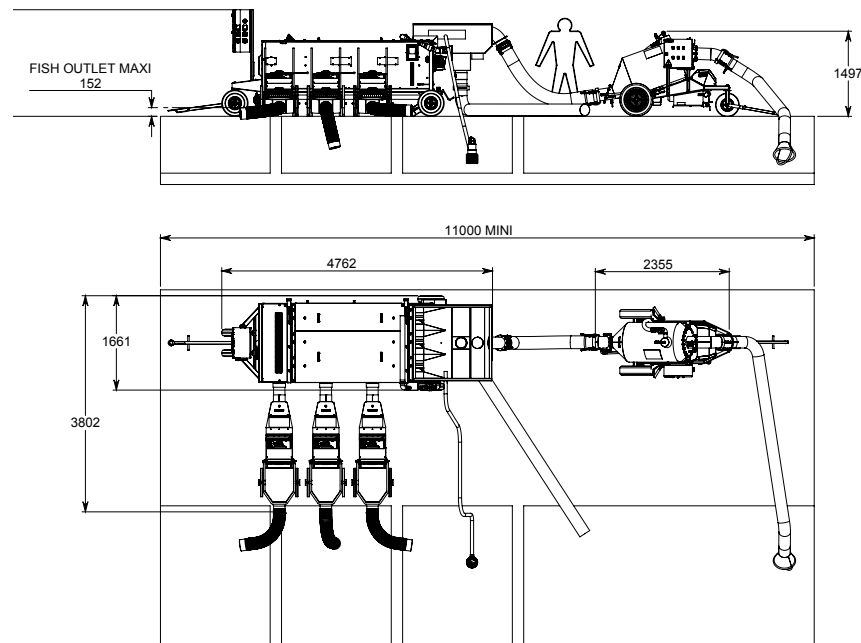
Fish counter model	<b>PESCAVISION 50</b>	
Fish species	Trouts Salmons	Bass/Bream/Tilapia/ Carps/Perch
Fish from	400g to 4,5kg	300g to 3kg
Capacity (maxi)	4T/h	4T/h
Channels number	2	2
Channels width	200mm	200mm
Connection diameter	200mm	200mm
Accuracy	98% - 100%	98% - 100%
Dimensions	1,5x0,5x0,6	
Weight	20kg	
Voltage	24v	
Reference (fresh and sea water)	PESCA50	

## Helios 600



### Specifications

Grader model	<b>HELIOS 600</b>
Nbr of channels	3
Nbr of size	3
Length of grading channels(mm)	2500
Max. channels opening (mm)	18 to 120
Nbr of outlets Ø (mm)	6xØ250
Weight min.-max. Trout/Salmon	100g - 4,5kg
Weight min.-max. Bass/Bream/ Tilapia/Carp	100g - 3,5kg
Hourly rate (tons/hour)	4 - 6
Grader weight (kg)	660
Dimensions (m)	4,6x1,20
Height (m)	1,65
Motor power 220 V 1ph (50 Hz/60 Hz) / 380 V 3ph (50 Hz/60 Hz)	0,55 kw
Advice pump flow (m3/h)	65
Reference (Sea water 316L)	TH6036



### Power ratings and weights summary

Machines	Power	Weight
Fish grader Helios 600	0,55 kw	660 kg - 1455 lbs
Fish pump PESCAVAC 8"	5,3 kw	440 kg - 970 lbs
Fish counter (one unit)	0,05 kw	24 kg - 53 lbs
Water pump 50 m3/h	2,2 kw	30 kg - 66 lbs

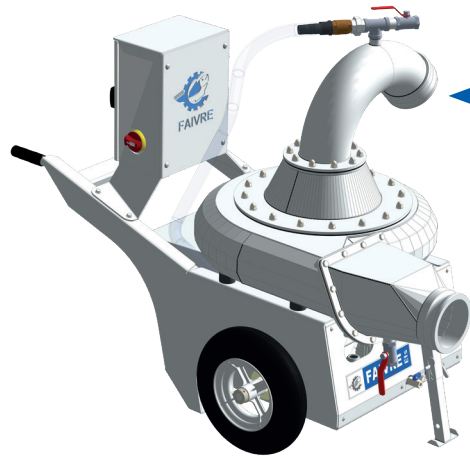
All packs are given as an example and can be modified according to the customer needs





# FITTINGS AND PIPES / RACCORDS ET TUYAUX

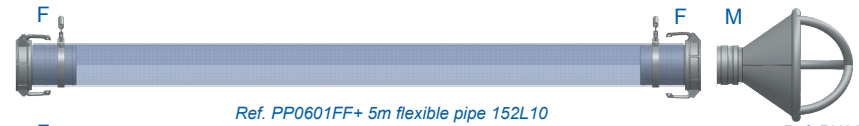
**PESCAMOTION**  
Fish pump



M : male  
F : female

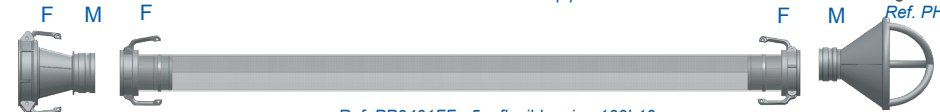
## Inlet / Aspiraton

6" - Length 5m  
6" - Longueur 5m



Ref. PP0601FF+ 5m flexible pipe 152L10

4" - Length 5m  
4" - Longueur 5m



Ref. PP0401FF+ 5m flexible pipe 100L10

2,5" - Length 5m  
2,5" - Longueur 5m



Ref. PH061108

Ref. PP0201FF+ 5m flexible pipe 75L10

Ref. PH021101M

## Outlet / Refoulement

6" - Length 5m  
6" - Longueur 5m



Ref. PP0601FF+ 5m flexible pipe 152L10

4" - Length 5m  
4" - Longueur 5m



Ref. PP0401FF+ 5m flexible pipe 100L10

2,5" - Length 5m  
2,5" - Longueur 5m



Ref. PH061108

Ref. PP0201FF+ 5m flexible pipe 75L10

## Extra length / Longueur supplémentaire

6" - Length 5m  
6" - Longueur 5m  
Ref. PP0603FM



4" - Length 5m  
4" - Longueur 5m  
Ref. PP0403FM

4" - Length 10m  
4" - Longueur 10m  
Ref. PP0404FM



2.5" - Length 5m  
2,5" - Longueur 5m  
Ref. PP0203FM

2.5" - Length 10m  
2,5" - Longueur 10m  
Ref. PP0204FM

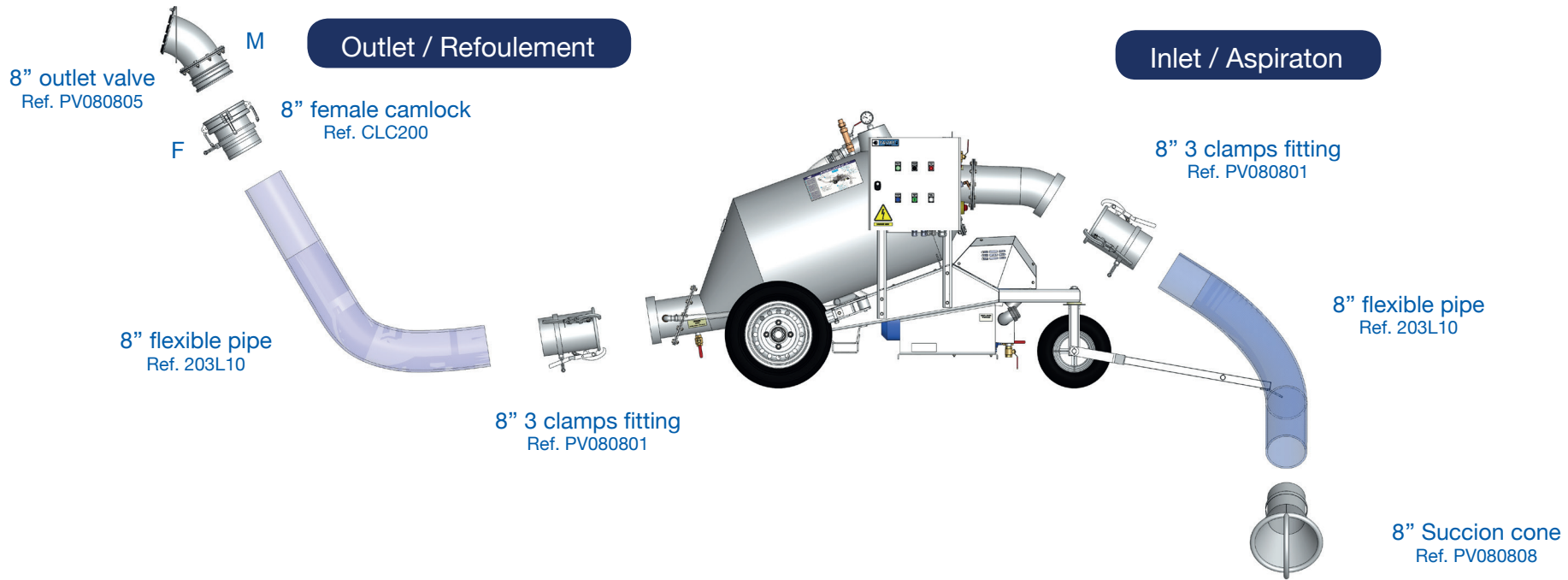






# CAM-LOCK AND PIPES CONNECTIONS / RACCORDS CAM-LOCK

PESCAVAC  
Fish pump



M : male  
F : female

## Outlet Extra length / Longueur supplémentaire pour refoulement

8" - Length 5m  
8" - Longueur 5m  
Ref. PP0801

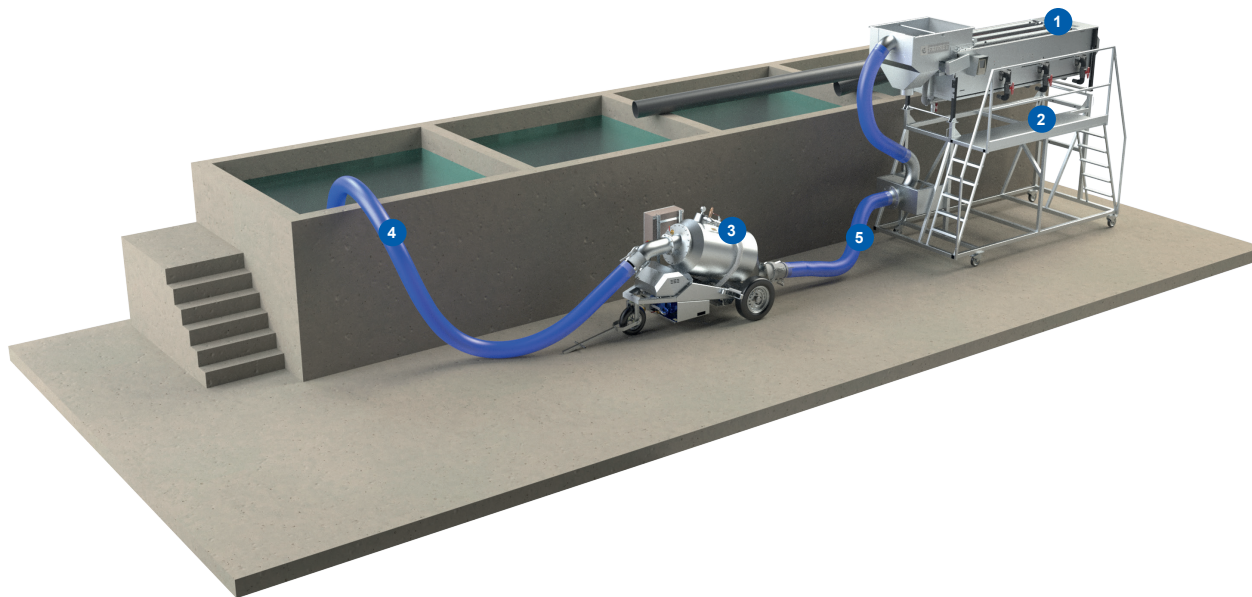
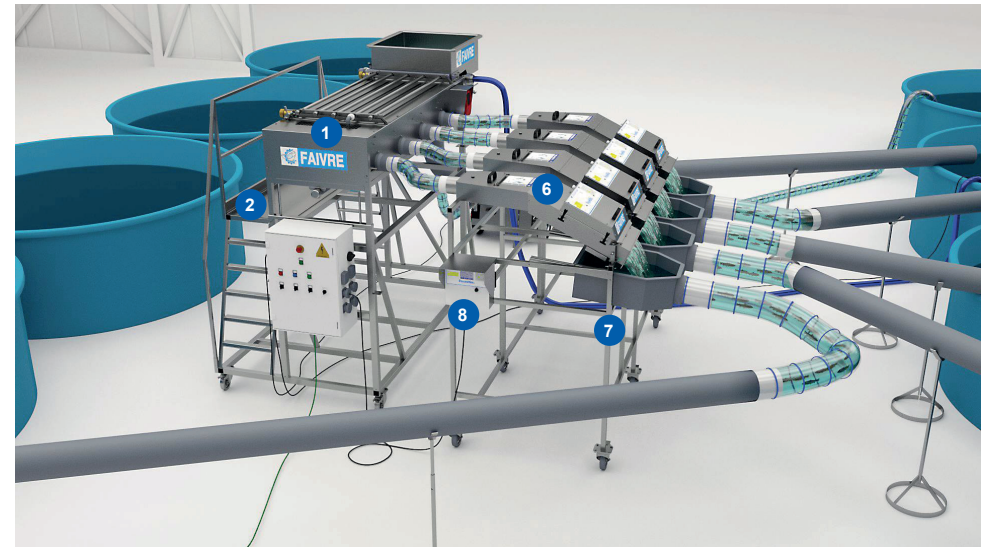




# Grader with trolley - For RAS farm

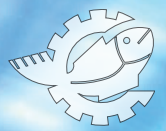
Our standard trolley works with all our grading machine.  
Very usefull in RAS fish farm

Made for RAS



- 1 Fish grader Helios
- 2 Trolley
- 3 Fish pump
- 4 Suction flexible
- 5 Discharge flexible pipes
- 6 Fish Counter Pescavision
- 7 Counting station
- 8 «4Control Box»





Faivre company not only designs and produces fish graders, fish counters and fish pumps for the fish farming. It's also specialized in the water treatment material and manufacturing of drum filters, leaf screeners and aerators with a big reliability and quality since 1958.

## Drum filter

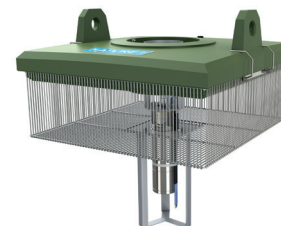
Find all these equipments in our water management catalog.



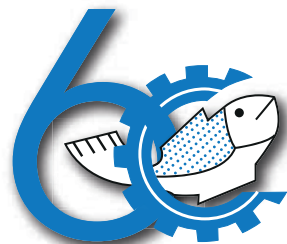
## Leaf screener



## Aerators







**FAIVRE**

1958 - 2018

DESIGNER & MANUFACTURER  
OF  
FISH FARMING EQUIPMENT

*[www.faivre-aqua.com](http://www.faivre-aqua.com)*