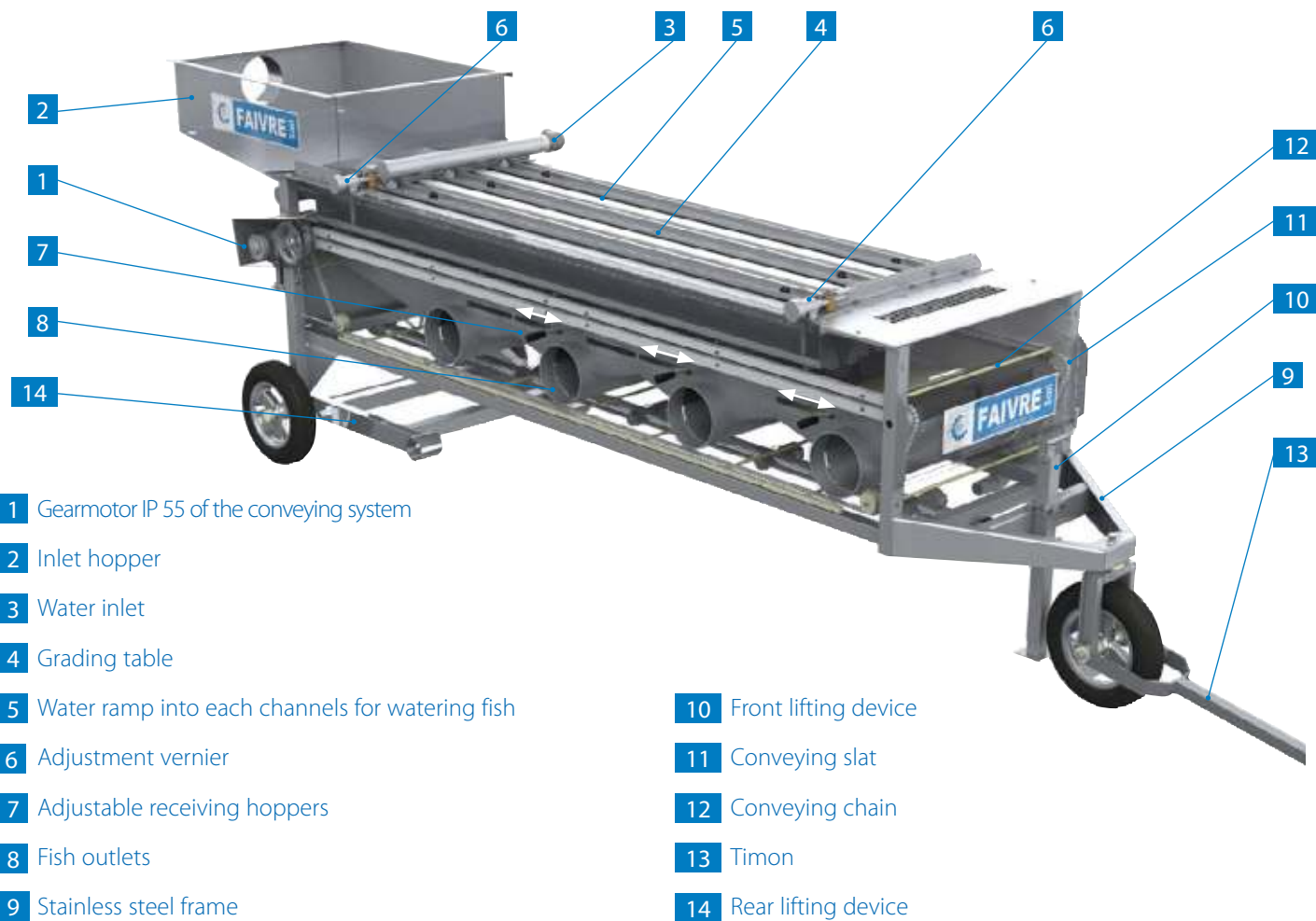


Description of a grader :



- 1 Gearmotor IP 55 of the conveying system
- 2 Inlet hopper
- 3 Water inlet
- 4 Grading table
- 5 Water ramp into each channels for watering fish
- 6 Adjustment vernier
- 7 Adjustable receiving hoppers
- 8 Fish outlets
- 9 Stainless steel frame

- 10 Front lifting device
- 11 Conveying slat
- 12 Conveying chain
- 13 Timon
- 14 Rear lifting device

Main grader figures :

Grader	HELIOS 10	HELIOS 100	HELIOS 25	HELIOS 30	HELIOS 40	HELIOS 400	HELIOS 50	HELIOS 60	HELIOS 600
Nbr of channels	5	8	2	3	3	5	3	2	3
Nbr of size	4	4	3	3	4	4	3	3	3
Length of grading channels(mm)	1600	1600	2000	2000	2500	2500	2400	2400	2400
Max. channels opening (mm)	28	28	42	42	65	65	75	120	120
Nbr of outlets Ø (mm)	8xØ125	8xØ125	6xØ160	6xØ160	8xØ200	8xØ200	6xØ250	6xØ250	6xØ250
Weight min.-max. Trout/Salmon/ Bass	1g - 120g	1g - 120g	5g - 400g	5g - 800g	5g - 1.5kg	5g - 1.5kg	10g - 2.5kg	150g - 4kg	150g - 4kg
Weight min.-max. Tilapia/Bream/ Carp	0,8g - 80g	0,8g - 80g	-	5g - 400g	5g - 800g	5g - 800g	10g - 1,5kg	100g - 2kg	100g - 2kg
Hourly rate (tonnes/hour)	0,1 - 1	0,1 - 1,5	1 - 3	2 - 4	3 - 5	4 - 6	3 - 6	4 - 6	5 - 8
Grader weight (kg)	260	450	210	300	480	520	500	530	660
Dimensions (m)	3,3x1,00	3,3x1,58	3x0,92	3,5x0,95	3,9x1,00	3,9x1,70	3,7x1,20	3,7x1,20	3,7x1,80
Height (m)	1,40	1,40	1,1	1,3	1,3	1,3	1,5	1,5	1,5
Motor power 220 V 1ph (50 Hz/60 Hz) / 380 V 3ph (50 Hz/60 Hz)	0,25 kw	0,25 kw	0,37kw	0,25 kw	0,37 kw	0,37 kw	0,55 kw	0,55kw	0,55kw
Advice pump flow (m3/h)	20	30	20	35	40	50	50	50	60
Reference (Sea water 316L)	TH1056	TH1086	TH2526	TH3036	TH4036	TH4056	TH5036	TH6026	TH6036
Reference (Fresh water 304L)	TH1054	TH1084	TH2524	TH3034	TH4034	TH4054	TH5034	TH6024	TH6034

The measurements were taken with an elevator or a pump offering a constant and regular flow of fish.

Photographs and technical data not contractual. Faivre Sas reserves the right to modify the specifications of its machines without notice.

Automatic Live fish graders



Trout / Salmon



Tilapia / Carp



Baramundi



Sea Bream



Sea Bass



Eels

FAIVRE introduces a complete range of automatic fish grader to meet the need of every fish farmer whom take care of grading quality and efficiency. For 20 years, the patented **SPS Technology** brings the ultimate solution to a first class grading even for fragile species. As a result, more than 1000 graders have already been manufactured by FAIVRE.



www.faivre.fr

FAIVRE Sas - 7 rue de l'industrie - 25110 Baume-les-Dames - France
Tel : +333 81 84 01 32 - Fax : +333 81 84 16 15 - E.mail : info@faivre.fr - Web : www.faivre.fr



A complet range of 6 graders for : Trout, salmon, bass, bream, carp, tilapias, perch, baramundi, eels, cod, murray cod etc...

- **Helios 10** (5ch.)
- **Helios 100** (8ch.)

1g - 100g
5 or 8 channels
4 sizes

HELIOS 10 and 100 are high precision grader with a huge capacity , (130.000 fish/hour) it is made to efficiently grade smolts and alevins from 0,8 g up to 100g. Light and easy to handle.

- **Helios 25**

5g - 600g
2 channels
3 sizes

Simple and robust grading machine at an affordable price.

- **Helios 30**

5g - 800g
3 channels
3 sizes

HELIOS 30 is a high precision 3 channels grader made to grade Trouts/Salmons up to 800g. Light and easy to handle, the HELIOS 30 is multi-use machine for every fish farm and very practicle on barge.

- **Helios 40** (3ch.)

- **Helios 400** (5ch.)

5g - 1,5kg
3 or 5 channels
4 sizes

For Trouts/Salmons up to 1,5kg. HELIOS 40 is specially designed by FAIVRE to get a very high accuracy and high speed grading, so its hourly capacity reach up to 5/6t/h on 200g fish.

- **Helios 50**

10g - 2,5kg
3 channels
3 sizes

For large Trout, Tilapia, Sea bass and Sea bream.

HELIOS 50 is a grader specially produced by FAIVRE to satisfy the farmers looking for upper size graders. It combines high accuracy and high speed grading.

- **Helios 60** (2ch.)

- **Helios 600** (3ch.)

100g - 4,5kg
2 or 3 channels
3 sizes

For very large fishes up to 5kg especially for Carps, Tilapia, trouts , Salmons...



Smolts into the reiving hopper Helios 20



Helios 10 in a cod hatchery in Norway



Grader Helios 25



Grader Helios 50



System SPS



Elaborate modurable water circuit



Inside inlet hopper with fish pump connection and water separator (option)



Adjustment vernier



Electrical box to plug counters and elevator (option)

