

2023

Live stock
Management products



FAIVRE



New catalog is new presentation: Our range of machines is extensive. We have presented, through this catalog, our material by fish size. The tabs on the right side of the pages let you know the size fish with which the series matches. We have also renamed certain products in order to be able to easily distinguish each Series. So the 10 Series corresponds to small fish and the 60 Series to the largest. There are 5 distinct Series: 10, 30, 40, 50 and 60. Thus, it is extremely simple to create a set of mutually compatible products. For example : A Pescamotion 10 pump allows you to work with a Helios 10 or 100 grader and Pescavision 10 counters! Go to page 10 and 11 to see the classification of our products by Series.



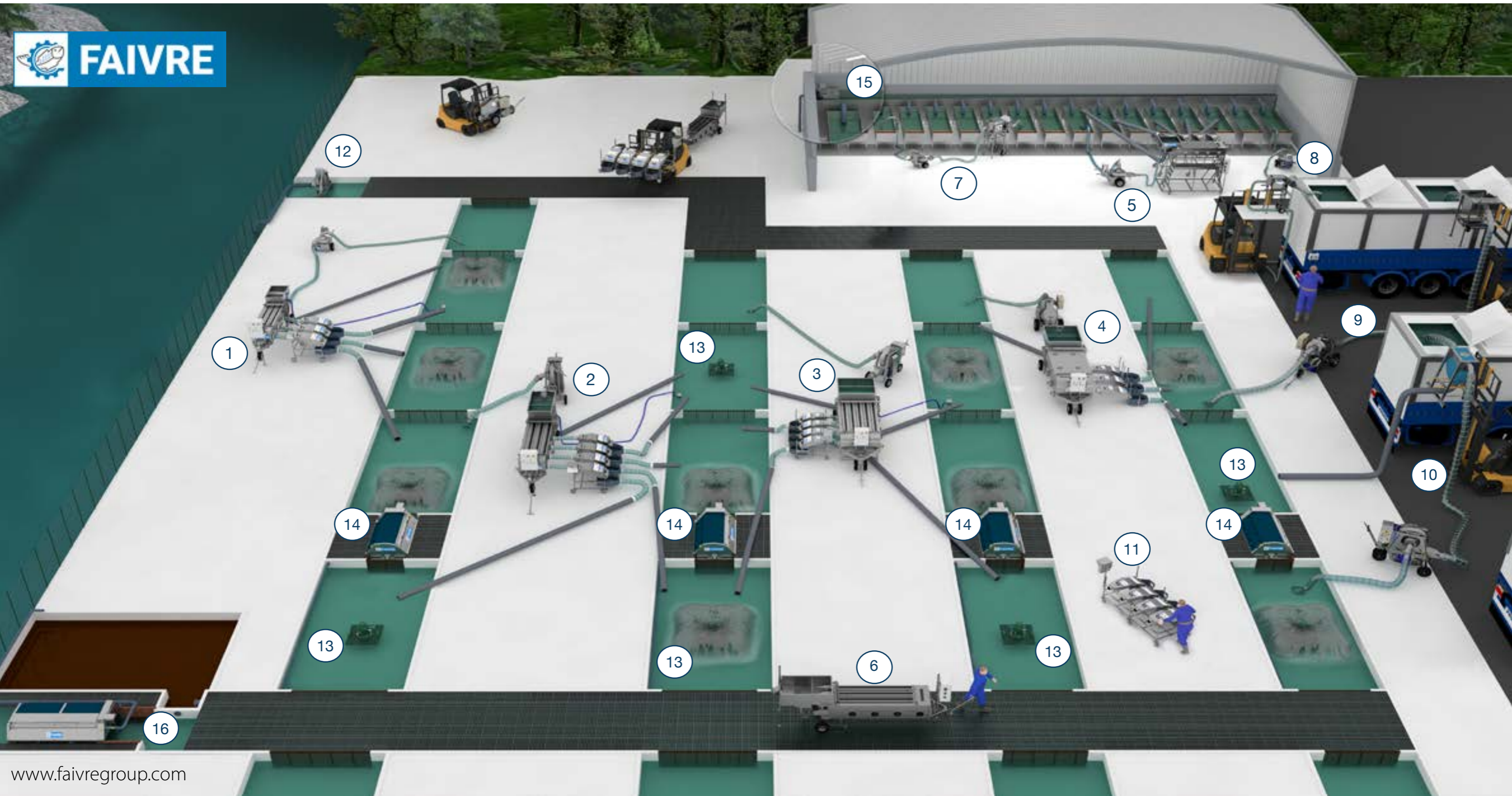
Claude FAIVRE, founder of the company in 1958

Faivre is a French company, and one of the world leaders in the conception, manufacture and production of aquaculture machines. We employ more than 45 people. Since 1958, thanks to our knowledge of the market and our strong experience in aquaculture, the Faivre company has developed high quality products to satisfy all of your needs, from one product to the full installation. Strength, effectiveness and simplicity are our production values. Let us realize your projects !

Since 1958, the Faivre story is ongoing.

Example of equipment working on land based farm	5	Harvesting Grading pack	137
Example of equipment working on RAS farm	7	Standard Grading pack	138
Example of equipment working on Sea farm	9	High capacity Grading pack	140
Range of Faivre's Products	10	Fish Pump Pescavac 60	143
		Options Pescavac 60	147
Hatchery Nursery	12	Helios fish grader 60	149
Pescamotion 10 fish pump	13	Options Helios 60 - 600	154
Options Pescamotion 10	17	Harvesting Grading pack	157
Fish graders Helios 10 - 100	19	Standard Grading pack	158
Options Helios grader 10	24	High capacity Grading pack	160
Fish counter Pescavision 10	26		
Pescasight 100 fish counter	31	OPTIONS	162
Hatchery Grading pack 10 Series	35	Water separator hopper	163
Standard Grading pack	36	Trolley for Pescavision counters	164
High capacity Grading pack	38	Centralizing unit with touch screen	165
Transfer counting pack	40	Trolley for RAS	166
		PVC connections (graders/counters)	167
Grow out	42	Flexibile pipe	168
Equipement	42	Stainless steel adjustable hose support	169
Fish pump Pescamotion 30	43		
Options Pescamotion 30	47		
Helios fish grader 30 - 300	49		
Options Helios grader 30 - 300	54		
Fish counter Pescavision 30	56		
Fish counter Pescavision 300	61		
Grow out grading pack Series 30	65		
Standard Grading pack	66		
High capacity Grading pack	68		
Transfer counting pack	70		
Fish pump Pescamotion 40	73		
Options Pescamotion 40	77		
6" (150 mm) male	78		
8" (203mm) female	78		
Fish graders Helios 40 - 400	79		
Options Helios 40 - 400	84		
Fish grader Heliovision 40	87		
Fish counter Pescavision 40	92		
Grow out Grading pack	97		
Standard Grading pack	98		
High capacity Grading pack	100		
Harvesting equipment	102		
Fish pump Pescavac 50	103		
Options Pescavac 50	107		
Fish pump Pescamotion 50	109		
Options Pescamotion 50	113		
Fish graders Helios 50 - 500	115		
Option Helios fish grader 50	120		
Fish grader Heliovision 50	123		
Fish counter Pescavision 50	128		
Fish counter Pescavision 500	133		

Example of equipment working on a land based farm



www.faivregroup.com

Catalogue / Catalog
Live stock management
Gestion de production

1

Grow out Standard pack 30
Pack tri base grossissement
Pour poissons / for fish : 40g - 700g
3 sizes/3 tailles
2 - 3 tonnes/hour
Ref.: **GPST3** (page 66 - 67)

2

Grow out Standard pack 40
Pack tri ultra grossissement
Pour poissons / for fish : 40g - 1,5 kg
4 sizes/4 tailles
3 - 4 tonnes/hour
Ref.: **GPST4** (page 98 - 99)

3

Grow out High Capacity pack 40
Pack tri super rapide grossissement
Pour poissons / for fish : 40g - 1,5 kg
4 sizes/4 tailles
4 - 6 tonnes/hour
Ref.: **GPHC4** (page 100 - 101)

4

Harvesting High Capacity pack 60
Pack tri récolte pour gros poissons
Pour poissons / for fish : 400g - 3,5kg
3 sizes/3 tailles
4 - 6 tonnes/hour
Ref.: **HPHC6** (page 160 - 161)

5

Hatchery Standard Pack 10
Pack tri pour alevinage
Pour poissons / for fish : 5g - 40g
4 sizes/4 tailles
3 - 4 tonnes/hour
Ref.: **NPST1** (page 36 - 37)

6

Helios 40 grader
Trieur Helios 40
Pour poissons / for fish : 5g - 1,5 kg
4 sizes/4 tailles
3 - 5 tonnes/hour
Ref.: **TH4436** (page 80)

7

Hatchery transfer pack 10
Pack Transfer alevinage
Pour poissons / for fish : 0,2g - 20g
Ref.: **NPTL1** (page 40 - 41)

8

Hatchery transfer pack 10
Pack chargement alevinage
Pour poissons / for fish : 0,2g - 20g
Ref.: **NPTL1** (page 40 - 41)

9

Harvesting Transfer pack 50
Pack chargement gros poissons
Pour poissons / for fish : 100g - 3,5kg
Ref.pump : **PV0801** (page 104)
Ref.dewatering : **TD0801** (page 107)

10

Grow out Transfer pack 40
Pack chargement rapide
Pour poissons / for fish : 100g - 1,5 kg
Ref. pump : **PH0803** (page 74)
Ref. dewatering : **TD0801** (page 78)

11

Counting station
Station de comptage
Pour poissons / for fish 5g to 4,5kg
Ref.: **PESCATROL** (page 164)

13

Flobull aerators 0,75kW
Aérateur Flobull 0,75kW
Ref.: **APF0101**

14

Drum filter 24 - 160 with frame
Filtre à tambour 24 - 160 sur bâti
Mesh / maille 63µ
Ref.: **FT16024B6A**

15

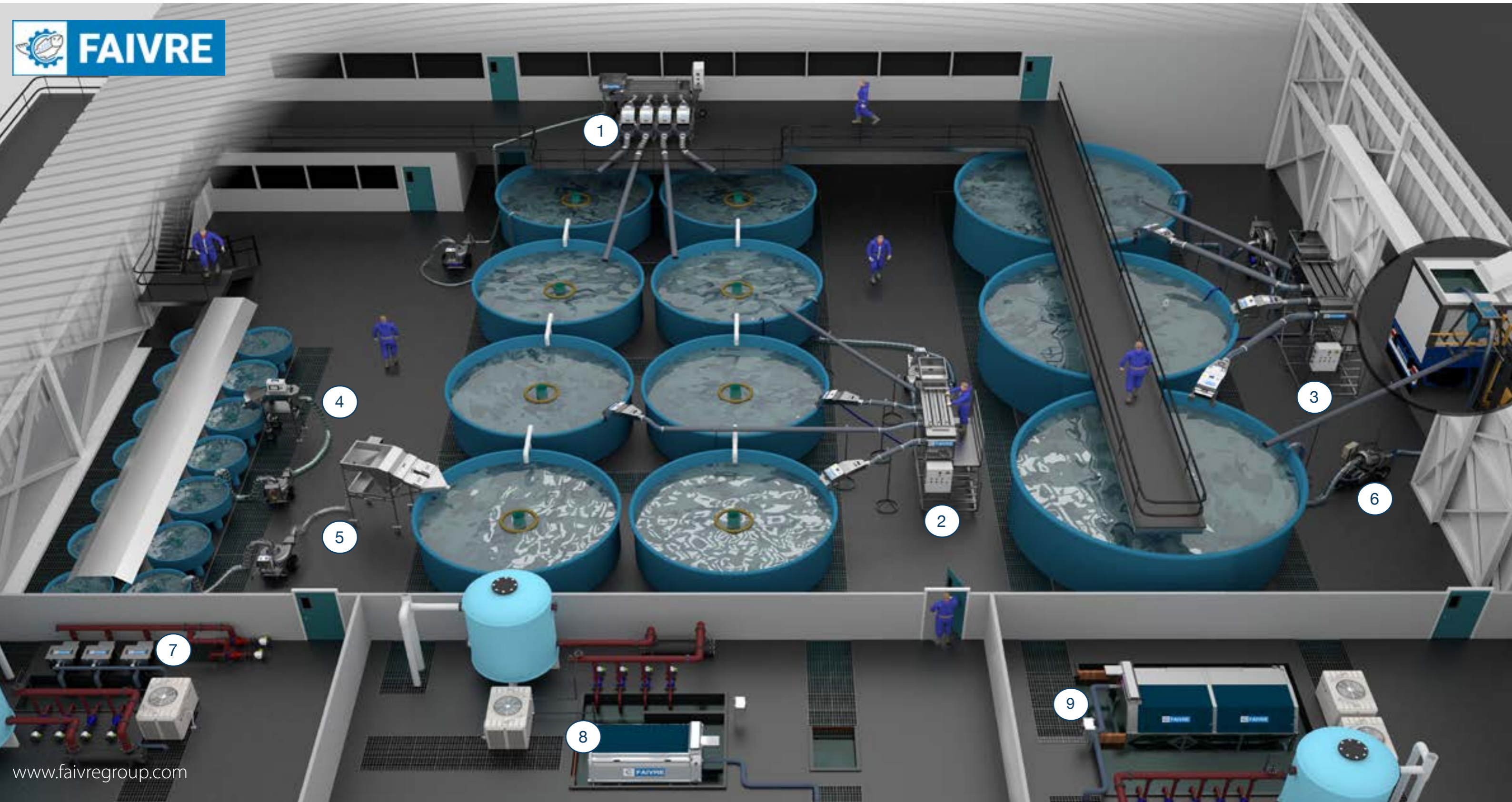
Drum filter 2 - 60 on tank
Filtre à tambour 2 - 60 avec réservoir
Mesh / maille 36µ
Ref.: **FT06002B6A**

16

Drum filter 40 - 200 with frame
Filtre à tambour 40 - 200 sur bâti
Mesh / maille 80µ
Ref.: **FT20040B6A**

Catalogue / Catalog
Water management
Traitement de l'eau

Example of equipment working on a RAS farm



1

Hatchery Standard Pack 10
Pack tri pour alevinage
Pour poissons / for fish : 1g - 120g
4 sizes/4 tailles
3 - 4 tonnes/hour
Ref. : **NPST1** (page 36 - 37)

2

Grow out standard pack 30
Pack tri base grossissement
Pour poissons / for fish : 40g - 700g
3 sizes/3 tailles
2 - 3 tonnes/hour
Ref. : **GPST3** (page 66 - 67)

3

Grow out standard pack 40
Pack tri rapide grossissement
Pour poissons / for fish : 40g - 1,5 kg
4 sizes/4 tailles
3 - 4 tonnes/hour
Ref. : **GPST4** (page 98 - 99)

4

Transfer & counting pack
Pack Transfer comptage
Pour poissons / for fish : 0,2g - 20g
Ref. : **NPTL1** (page 40 - 41)

5

Transfer & counting pack
Pack transfert comptage
Pour poissons / for fish : 40g - 700g
7 - 9 tonnes/hour
Ref. : **GPTL3** (page 70 - 71)

6

Fish Pump Pescavac 50
Pack chargement gros poissons
Pour poissons / for fish : 100g - 3,5kg
Ref. : **PV0801** (page 104)

7

Drum filter 2 - 60 on tank
Filtre à tambour 2 - 60 avec réservoir
Mesh / maille 36µ
Ref. : **FT06002C4A**

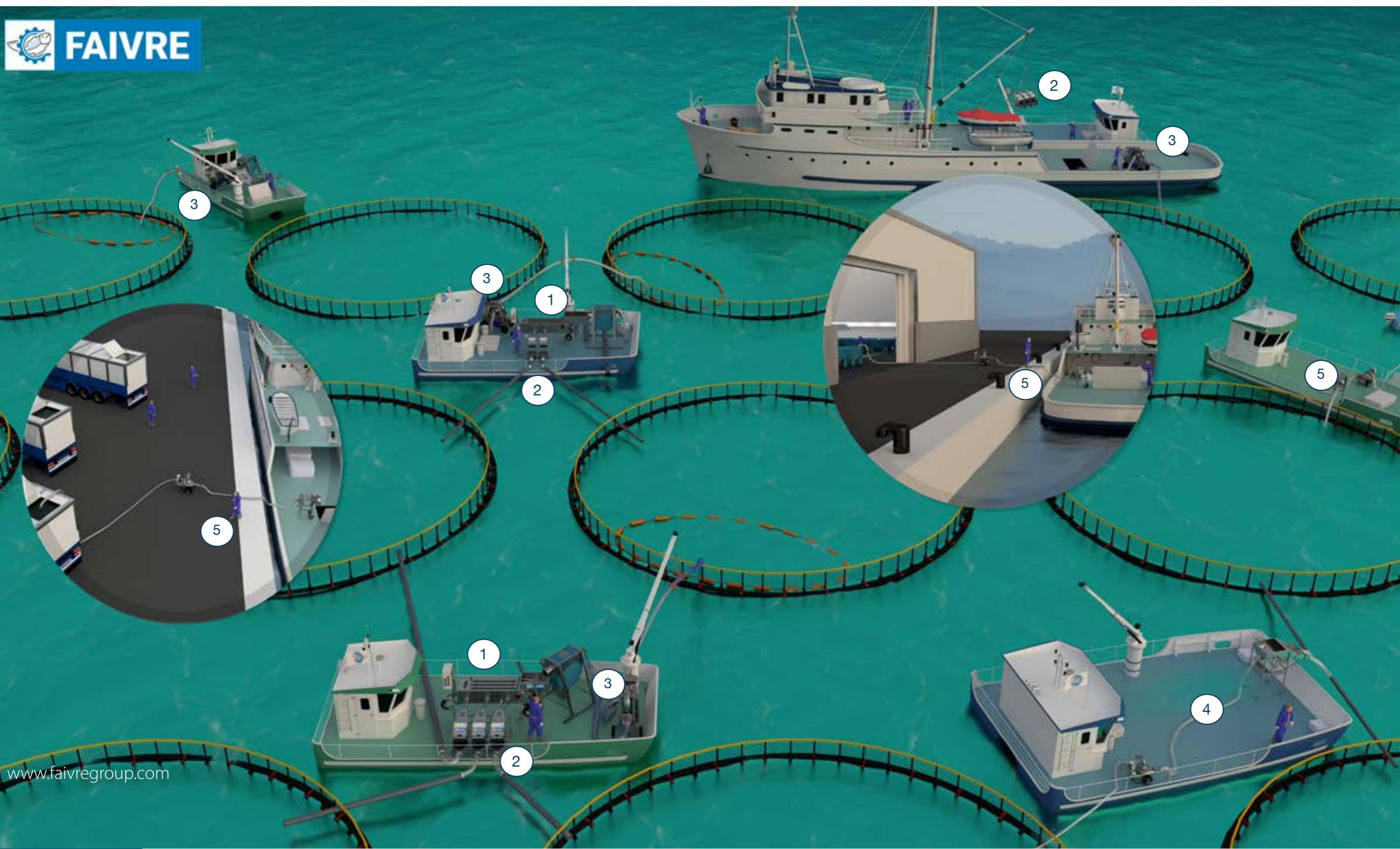
8

Drum filter 24 - 160 with frame
Filtre à tambour 24 - 160 sur bati
Mesh / maille 63µ
Ref. : **FT16024B4A**

9

Drum filter 40 - 200 with frame
Filtre à tambour 40 - 200 sur bati
Mesh / maille 80µ
Ref. : **FTB20040B4A**

Example of equipment working on a sea farm



www.faivregroup.com

1

Trieur/Helios grader 30
 Pour poissons / for fish : 5g - 800g
 3 sizes/3 tailles
 3 - 5 tonnes/hour
 Ref.: **TH3036** (page 50)

2

Counting station
 Station de comptage
 Pour poissons / for fish 40g to 3,5kg
 Ref.: **PESCATROL** (page 164)

3

Fish Pump Pescamotion 40
 Pour poissons / for fish : 40g - 1,5 kg
 4 - 6 tonnes/hour
 Ref.: **PH0803** (page 74)

4

Transfer & counting pack
 Pack Transfer comptage
 Pour poissons / for fish : 40g - 700g
 7 - 9 tonnes/hour
 Ref.: **GPTL3** (page 70 - 71)

5

Transfer & counting pack
 Pack Transfer comptage
 Pour poissons / for fish : 0,2g - 20g
 Ref.: **NPTL1** (page 40 - 41)

	Fish pumps			Fish graders			Fish counters	
	PESCAMOTION Propeller fish pump	PESCAVAC Vaccum fish pump	DEWAT Full dewatering	HELIOS Live fish grader Standard	HELIOS Live fish grader High Capacity	HELIOVISION Fish grader	PESCAVISION Led fish counter Standard	Pescasight Camera fish counter Transfer
<p>● Series 10</p> <p> 1g to 40g 1g to 25g</p>	<p>P.13</p> <p>Pescamotion 10 (2,5")</p>			<p>P.19</p> <p>Helios 10</p>	<p>P.19</p> <p>Helios 100</p>		<p>P.26</p> <p>Pescavision 10</p>	<p>P.31</p> <p>Pescasight 100</p>
<p>● Series 30</p> <p> 40g to 700g 40g to 400g</p>	<p>P.43</p> <p>Pescamotion 30 (6")</p>		<p>P.48</p> <p>Dewat 30 (6")</p>	<p>P.49</p> <p>Helios 30</p>	<p>P.49</p> <p>Helios 300</p>		<p>P.56</p> <p>Pescavision 30</p>	<p>P.61</p> <p>Pescavision 300</p>
<p>● Series 40</p> <p> 40g to 1500g 40g to 800g</p>	<p>P.73</p> <p>Pescamotion 40 (8")</p>		<p>P.78</p> <p>Dewat 40 (6" or 8")</p>	<p>P.79</p> <p>Helios 40</p>	<p>P.79</p> <p>Helios 400</p>	<p>P.87</p> <p>Heliovision 40</p>	<p>P.92</p> <p>Pescavision 40</p>	
<p>● Series 50</p> <p> 400g to 2500g 400g to 1500g</p>	<p>P.109</p> <p>Pescamotion 50 (10")</p>	<p>P.103</p> <p>Pescavac 50 (8")</p>	<p>P.114</p> <p>Dewat 50 (8" or 10")</p>	<p>P.115</p> <p>Helios 50</p>	<p>P.115</p> <p>Helios 500</p>	<p>P.123</p> <p>Heliovision 50</p>	<p>P.128</p> <p>Pescavision 50</p>	<p>P.133</p> <p>Pescavision 500</p>
<p>● Series 60</p> <p> 400g to 3500g 400g to 1500g</p>		<p>P.143</p> <p>Pescavac 60 (10")</p>	<p>P.147</p> <p>Dewat 60 (10")</p>	<p>P.149</p> <p>Helios 60</p>	<p>P.149</p> <p>Helios 600</p>			

Compatible with Series


10

Series

Hatchery Nursery

PESCAMOTION

Propeller fish pump

- **Salmon / Trout**  1 g to 40g
- **Tilapia**  1 g to 40 g
- **Sea Bream**  1 g to 25g
- **Sea Bass**  1 g to 25 g



2,5"



● Pescamotion 10

Page 13



● Helios 10 / 100

Page 19



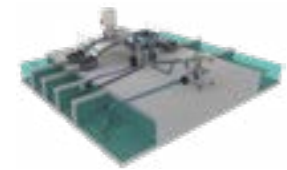
● Pescavision 10

Page 26



● Pescasight 100

Page 31



● Pack Standard 10

Page 36



● Pack High Capacity 10

Page 38



● Pack Transfer Counting 10

Page 40

- Fish Pump
- Series 10 2,5"
- Series 30 6"
- Series 40 6-8"
- Series 50 8"
- Series 60 8-10"

Pescamotion 10

A new 2,5" (60 mm) fish pump that is light-weight, compact, convenient, and with high performance.

FAIVRE company has developed a new model of Pescamotion to transfer live fish up to 40g* (Salmonids) and up to 6g with shrimps. The Pescamotion 10 is simply the best small fish pump. Our design team worked for 12 months to develop and optimize the design of the new pump housing and its propeller.

Ideal for supplying a grader, or transferring from a tank or loading lorries.

The Pescamotion 10 pump can be easily adapted to every situation.

Hygiene and disinfection with a "Zero Retention" housing:

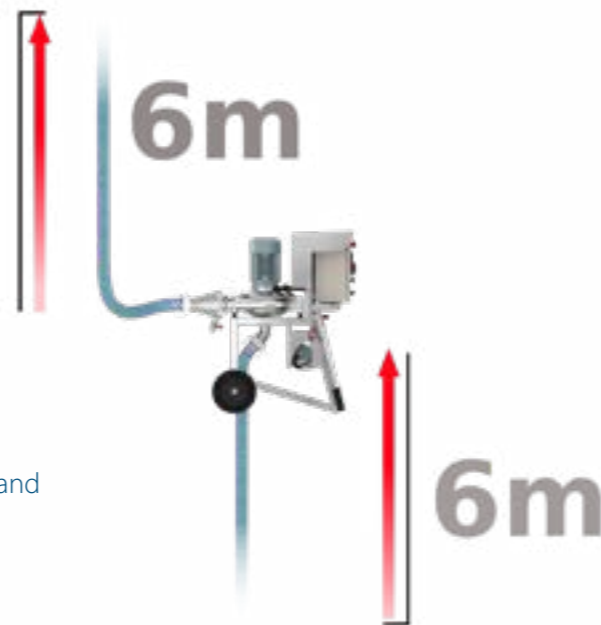
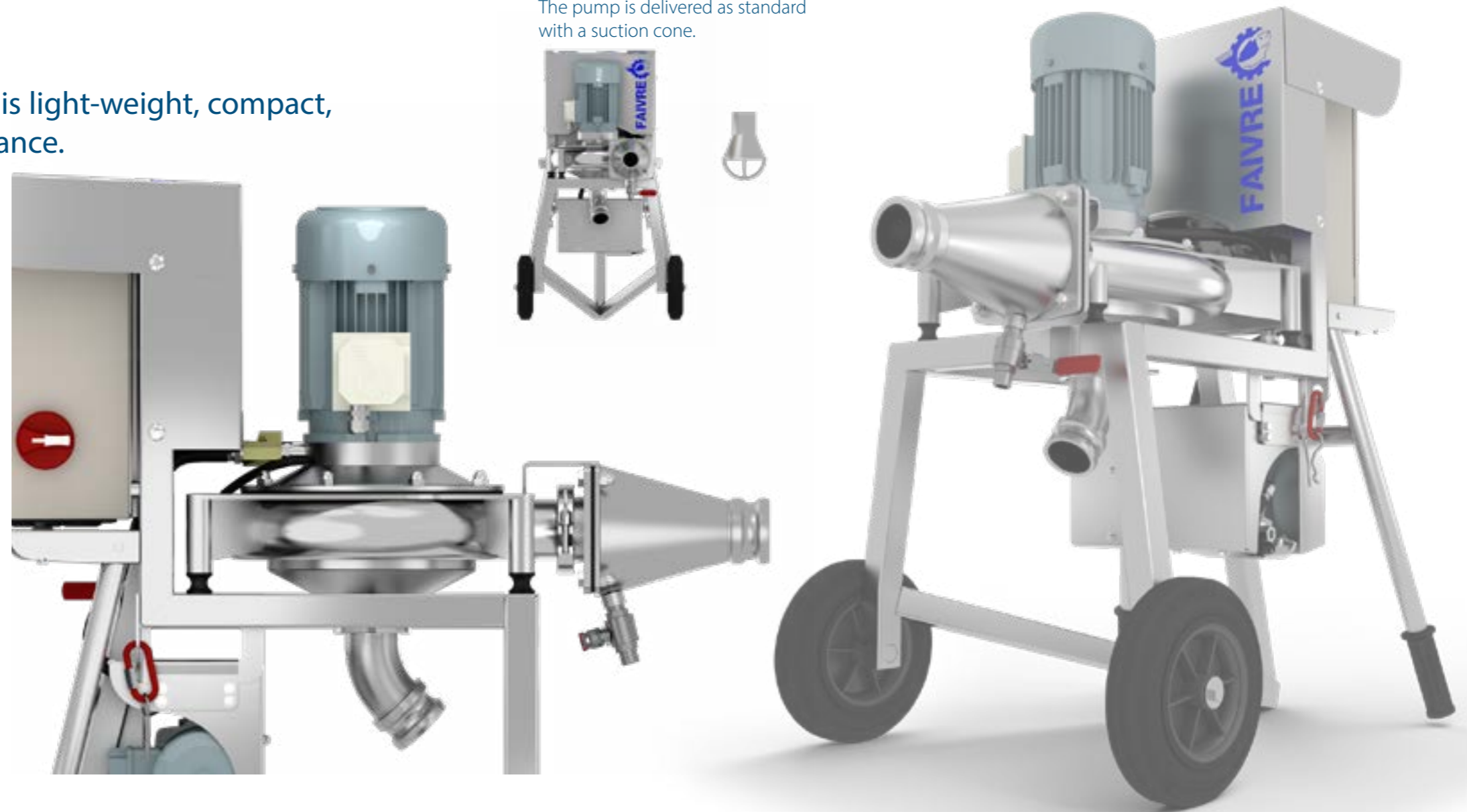
The Pescamotion 10 is intended for hatcheries. We designed it from the start, so that it is very easy to disinfect; this is why the fish outlet is made on the bottom of the pump housing, and not on the top. The outlet on the bottom allowed us to make a drawing of the pump body with zero water retention. Between 2 uses, the empty pump housing dries, which guarantees impeccable hygiene of the pump housing. Disinfection is also greatly facilitated with this design, making the rinsing of the pump body merely a formality.

Key benefits :

- ✓ High capacity up to 4 tons/hour
- ✓ For fish up to 40 g (Salmonids)
- ✓ Total dynamic head : 12 m
- ✓ Light and convenient : 92 kg - 445 lbs
- ✓ Remote control optional (200 m - 650 ft)
- ✓ New "Full Auto" priming system
- ✓ Free maintenance with "Direct drive system" pump

Warning : The pump performance may vary according to the height and weight of the fish.

The pump is delivered as standard with a suction cone.



Box Control Full schneider electrique

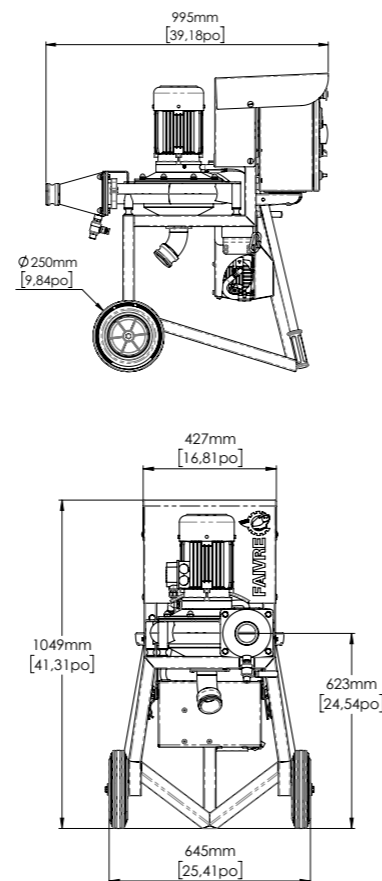
Description

- ① Electrical main motor
- ② AISI 316L Stainless steel pump housing
- ③ Inlet fish pump (Ø 2,5" - 63 mm)
- ④ AISI 316L Stainless steel frame
- ⑤ Forklift system
- ⑥ Folding handles on hinge
- ⑦ Control box
- ⑧ Speed variator
- ⑨ Outlet fish pump (Ø 2,5" - 63 mm)



Specifications

Fish pump model	PESCAMOTION 10
Main drive motor power	1,5 kW
Main drive control	Frequency variator
Priming pump	300 W
Inlet Ø	(60 mm) 2,5" male cam lock
Outlet Ø	(60 mm) 2,5" male cam lock
Total dynamic head	12 m - 39 ft
Fish weight max.	40 g Trout/Salmon
Fish weight max.	30 g Bass
Fish weight max.	25 g Bream, Tilapia
Pump speed	Up to 1400 rpm
Water flow	42 m ³ /h - 184 gpm
Weight	90 kg - 445 lbs
Reference (3 x 304 - 528 V 50/60 Hz)	PH0202
Reference (3 x 180 - 264 V 50/60 Hz)	PH0203
Reference (1 x 200 - 240 V 50/60 Hz)	PH0204



OPTIONS

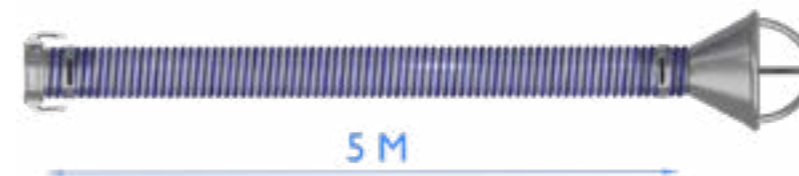
Remote control

200 meters IP 67 remote control, supplied as an option. Allows a full control of the pump (stop / start, pump priming, pump motor, and speed control)
Belt clip and docking station included.
Ref. : **PH00REM2**



Pack 2,5" Starter kits pack fish pump 2,5"

(5m Inlet / 5m Outlet) cam-lock MF and Suction cone - kits of 2x5 meters of 2,5" flexible pipes Ref. : **PP0201P**



Semi - transparent, flexible hoses



Hoses Ø 2.5" (Ø 63 mm) with male and female cam lock mounted at each end of the hose.
Ref. : **PP0203FM** long. 5 m
Ref. : **PP0204FM** long. 10 m

Option parts for fish pump 2,5"



- Cam lock male (Aluminum) Ref. : **CLEA63**
- Cam lock female (Aluminum) Ref. : **CLCA63**
- Suction cone for Pescamotion 10 Ref. : **PI0251102**



HELIOS

Live fish grader



• Helios 100



• Helios 10

- Fish Grader
- 2,5"
- 10 Series
- 6"
- 30 Series
- 6-8"
- 40 Series
- 8"
- 50 Series
- 8-10"
- 60 Series



● Helios 10 (5ch.)



● Helios 100 (8ch.)

HELIOS 10 - 100 GRADER : for alevin and small fish

1 g - 120 g
5 or 8 channels
4 sizes

HELIOS 10 - 100 is a high precision grader with a huge capacity. It is made to efficiently grade smolts, Sea Bream, Sea Bass, Tilapia... Light and easy to handle, HELIOS 10 - 100 is adapted to every situation. It is made to meet the needs of hatchery farms.

Compact and light graders:

- ✓ 5 or 8 grading channels of 1600mm length.
- ✓ 8 x Ø 125 mm outlets on both side.
- ✓ Made of polyester and AISI 316L/AISI 304L Stainless steel.
- ✓ An elaborate watering system fitted with adjustment gates.
- ✓ A grader fitted with the performing SPS Technology made for a high speed grading and without injury.
- ✓ Electronic adjustable grading speed.



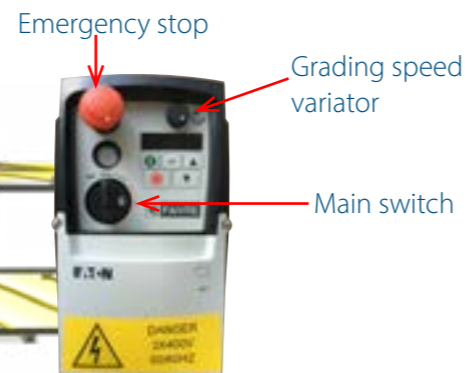
Reception tank for Pescavision :
- Ø 200 mm Ref. : **CBRC200**
- Ø 250 mm Ref. : **CBRC250**



Helios 10 working in Sea Bass hatchery



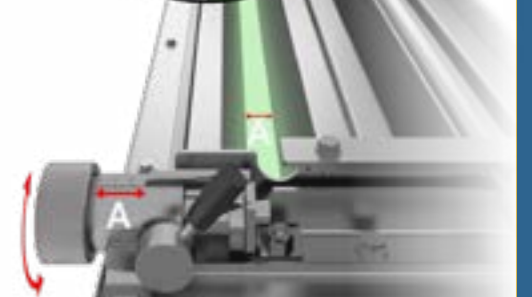
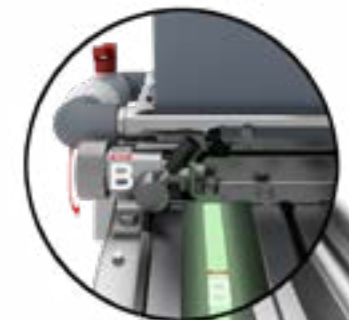
Sps Grading Technology



Fish grader IP 67 electric panel.



Accurate adjustment vernier.



- ① IP 55 geared motor and drive belt
- ② Fish inlet hopper
- ③ Water supply to channels, adjustable with a valve
- ④ Grading plane
- ⑤ Water ramp into each channel for watering fish
- ⑥ Channel adjustment vernier (x2)
- ⑦ Receiving hoppers
- ⑧ Fish outlets
- ⑨ AISI 316L Stainless steel frame
- ⑩ Front lifting jack
- ⑪ Fish conveying fingers
- ⑫ Towbar
- ⑬ Inflatable tires Ø 400 mm (16in)



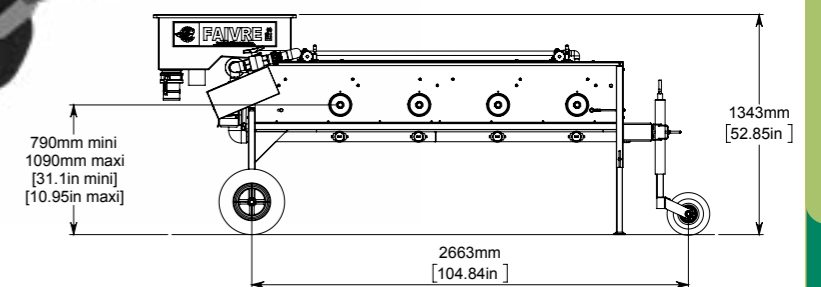
Specifications

Grader name	Helios 10	Helios 100
Number of channels	5	8
Number of size	4	4
Channel length (mm)	1600	1600
Channels opening max. (mm)	28	28
Number of outlets	8 x 125 mm	8 x 125 mm
Weight min. - max. Trout/Salmon	1 g - 120 g	1 g - 120 g
Weight min. - max. Bass/Bream	1 g - 50 g	1 g - 50 g
Weight min. - max. Tilapia	0,5 g - 50 g	0,5 g - 50 g
Hourly capacity (fish/h) of 1 g	about 100.000	about 120.000
Hourly capacity (fish/h) of 5 g	about 60.000	about 100.000
Approx. weight	280kg	520kg
Motor power (50 Hz)	0,25 kW	0,25 kW
Water pump need flow (m³/h)	20	20
References sea water	TH1056	TH1086

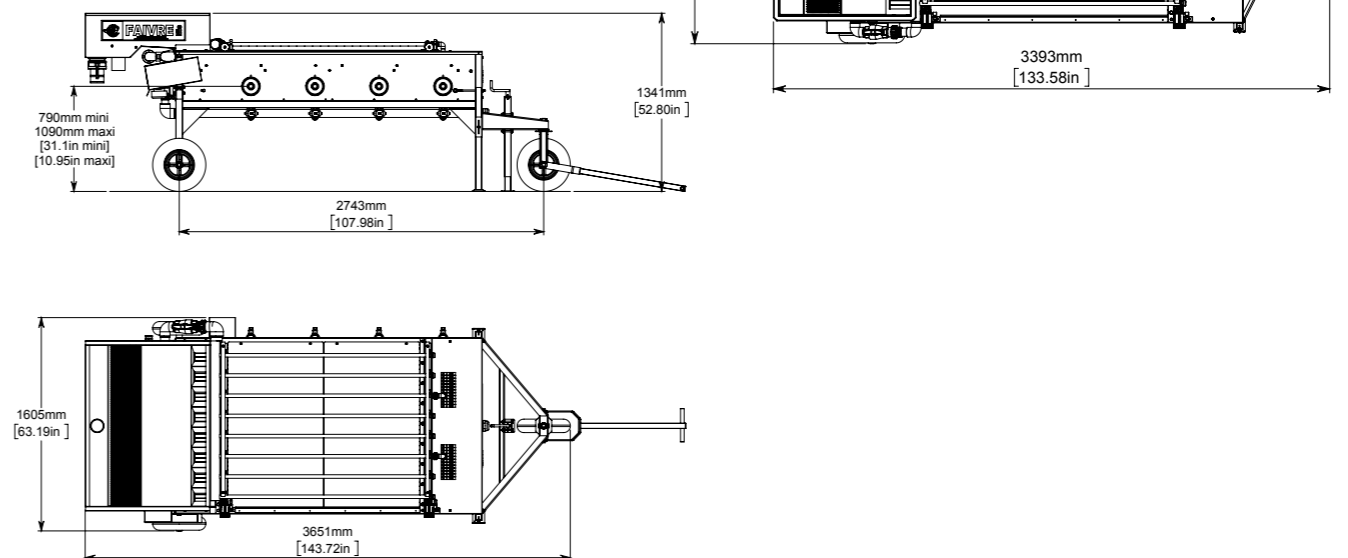
The grader motors are available in 4 supply voltages (add the desired voltage reference to the grader reference for your requests):

- Three phases 342 - 528 V 50/60 Hz Ref. : **400T**
- Three phases 180 - 264 V 50/60 Hz Ref. : **230T**
- Single phase 180 - 264 V 50/60 Hz Ref. : **230M**
- Single phase 110 V 50/60 Hz Ref. : **110M**

Helios 10



Helios 100



OPTIONS

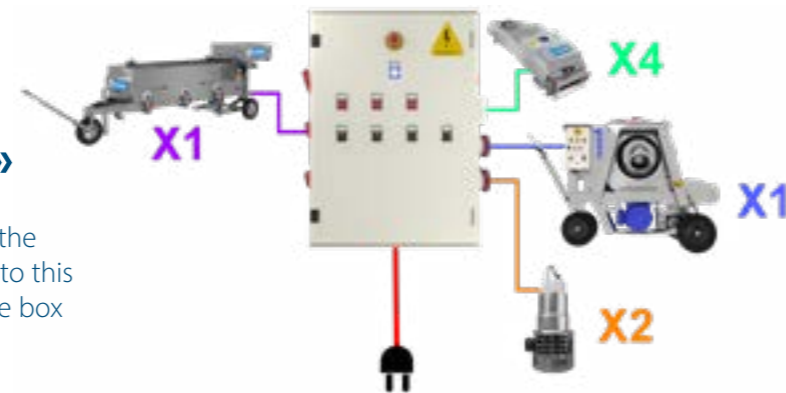
Control box «Packcontrol»

This option considerably reduces the cables left on the ground. Each equipment can be directly connected to this electrical cabinet, which is attached to the sorter. The box allows you to connect and control:

- 1 grader
- 2 water pumps
- 1 fish pump
- 4 counters.

The front panel switches allow each device to be turned on or turned off separately. Thermal circuit breakers ensure the protection of each piece of equipment. A differential switch protects the operators.

- Ref. :
- 3 x 342 - 525 V 50/60 Hz inlet voltage Ref. : **THC0024**
 - 3 x 164 - 264 V 50/60 Hz inlet voltage Ref. : **THC0022**
 - 1 x 230 V 50/60 Hz inlet voltage Ref. : **THC004***
- * water pump max. 2,2kW with a single phase



Dewatering hopper

Inlet hopper to plug a fish pump fitted hoses and dewatering box system regulated by slide gate valve.

- For Helios 10 grader :
- Ø fish pump pipe 4" (hopper included in the grader price) Ref. : **TH105DEWU**

- For Helios 100 grader :
- Ø fish pump pipe 4" Ref. : **TH108DEWU**



Water pump for grader

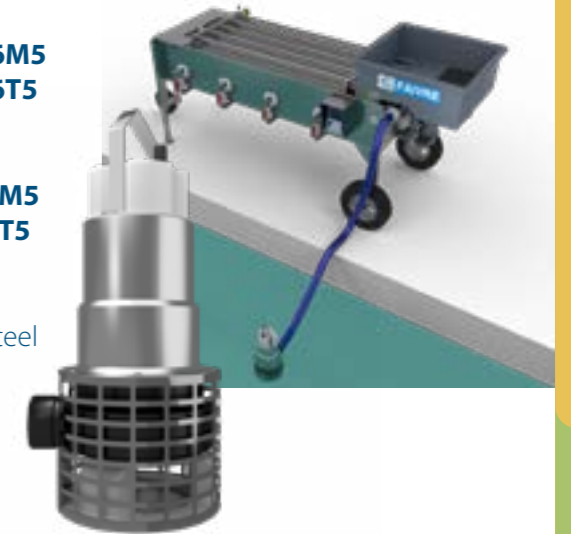
A suitable water pump must be connected to the grader in order to grade the fish without damage. We can offer you a Stainless steel submersible pump adapted to your machine. This pump has a Stainless steel strainer to suck the fish, it is delivered with 2.5m flexible hose and fittings, adapted to the grader.

- For Helios 10 grader
- Pump flow 20 m³/h supply voltage 1 x 230 V 50 Hz Ref. : **TPOW10I6M5**
 - Pump flow 20 m³/h supply voltage 3 x 400 V 50 Hz Ref. : **TPOW10I6T5**

- For Helios 100 grader
- Pump flow 30 m³/h supply voltage 1 x 230 V 50 Hz Ref. : **TPOW30I6M5**
 - Pump flow 30 m³/h supply voltage 3 x 400 V 50 Hz Ref. : **TPOW30I6T5**

- Accessories
- 5 m flexible hose Ø 50 mm (2 ") and storz fitting plus 90 ° Stainless steel elbow to connect the pump to the grader Ref. : **TPOHLINK50**

60 Hz pump on request.



Brushes for fish graders (for grading delicat fish)

- For Helios 10 grader :
- 36 brushes (inclined) Ref. : **TH150330**
 - 36 brushes (straight) Ref. : **TH150331**

- For Helios 100 grader :
- 36 brushes (inclined) Ref. : **TH180330**
 - 36 brushes (straight) Ref. : **TH180331**



Adapter cam lock 4" to 2,5"

- 4" female to 2.5" male aluminum reduction Ref. : **PH041111**



PESCAVISION

Led fish counter



Pescavision 10



The Pescavision 10 has an easy-to-open access to the 8 channels. For example, to clean the electronic photo sensors.

PESCAVISION

Led fish counter

Fish counters for counting Fish weight 5 g to 150 g.

They offer an unparalleled ease of use.. It can be installed very quickly.

The Pescavision 10 model meets the needs to count the fish ranging from 5g to 150g.

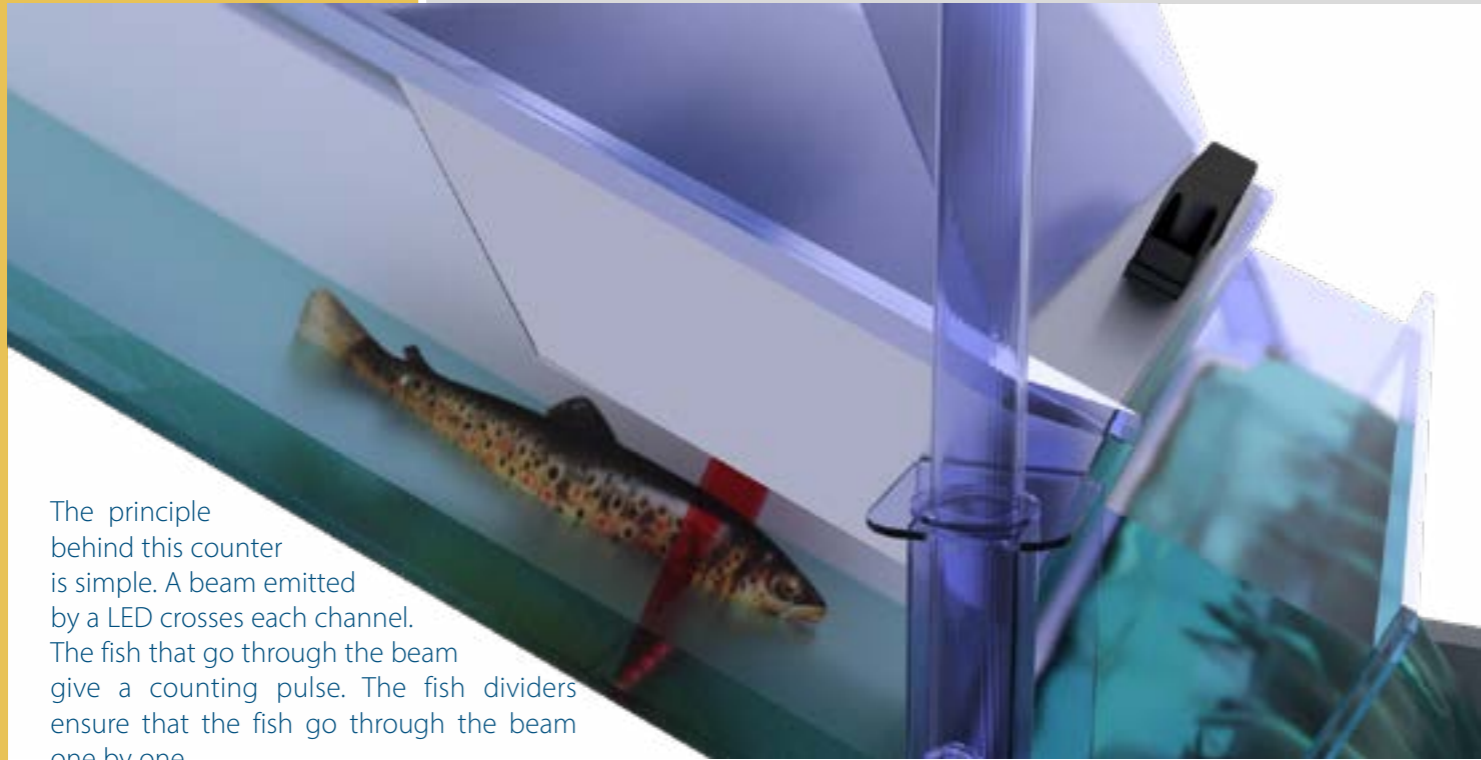
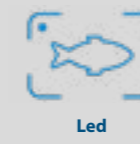
It is designed to be placed at the outlet of the grading machine, thereby centralizing the equipment and reducing the installation time. With this system, no more counters at the end of the pipes.

Our Pescavision can count many fish species, including:

- Trout
- Salmon
- Tilapia
- Carp
- Perch
- Sea Bass
- Sea Bream
- Etc...



Fish counter Pescavision 10



The principle behind this counter is simple. A beam emitted by a LED crosses each channel. The fish that go through the beam give a counting pulse. The fish dividers ensure that the fish go through the beam one by one.



The NEW optional control box can centralize counting information up to 4 fish counters
Ref. : **PESCA4CO**



A Helios 10 grader coupled with four (4) Pescamotion 10 fish counters and a reception tank.

Reception tank for Pescavision :
- Ø 200 mm Ref. : **CBRC200**



Easy to use !
Large touch screen counter display.
All information in a single display:

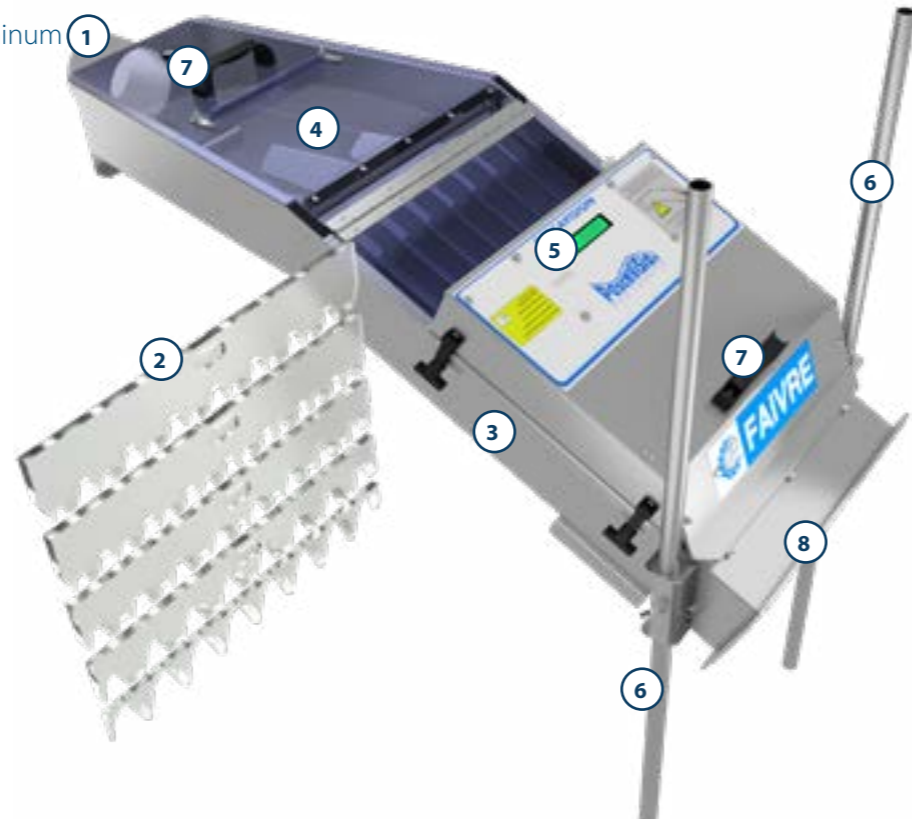
- Number of fish for each counter
- Total number of fish
- History of the 5 last counting sessions
- Counting time



*Download the counting report on your PC with the USB key. (*Control Box only)

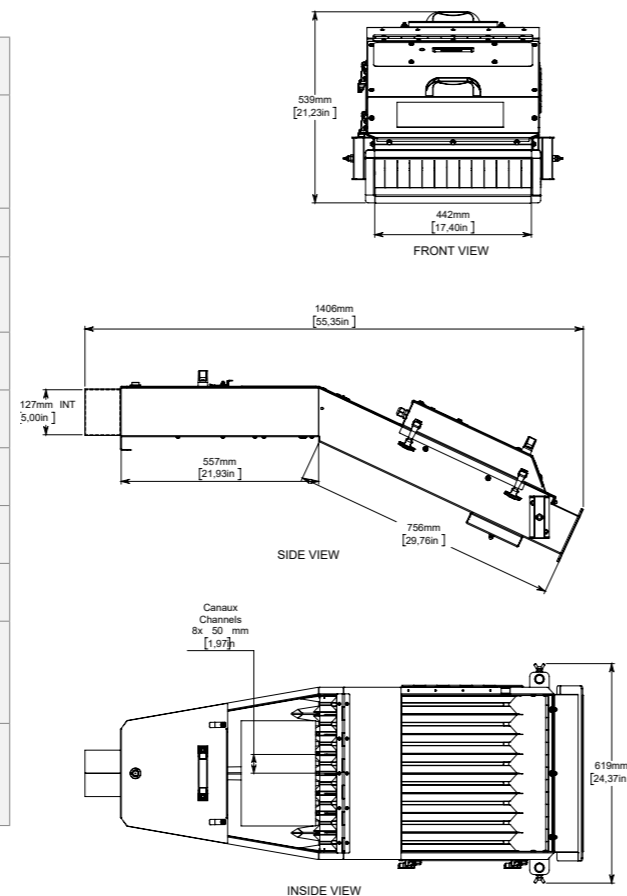
Description

- ① Fish counter inlet female Ø 125 mm
- ② Fish dividers (Our fish counter is delivered with 5 fish dividers)
- ③ Fish counter body in marine grade aluminum
- ④ Channel access with cover
- ⑤ LCD display : number of fish
- ⑥ Counter feet
- ⑦ Carry handles
- ⑧ Fish counter outlet



Specifications

Fish counter model	PESCAVISION 10	
Fish species	Trout Salmon Bass	Bream/Tilapia
Fish weight	5 g to 150 g	5 g to 30 g
Capacity (maxi)	1,5 t/h 35 000 fish/hour	
Number of channels	8	
Channel width	50 mm	
Connection diameter	125 mm	
Accuracy	98% - 100%	
Weight	25 kg - 55 lbs	
Voltage 50/60 Hz	Delivered with 110 - 240 V/24 V power supply	
Reference (Fresh and sea water)	PESCA10	



Pescasight

Camera fish counter



10 Series 2,5" Fish Counter
 30 Series 6"
 40 Series 6-8"
 50 Series 8"
 60 Series 8-10"

Summary ▲ Range Products ▲

Counting Fish weight 0,2 g to 20 g.

Designed to be placed at the outlet of a fish pump, for loading trucks or fish transfer.

This fish counter has the latest technology and its ease of use is unparalleled. Its installation on site is quickly made.. Expected to cover the counting needs from 0,2 g to 20 g with fish and 1g to 6g with shrimps. Maximum hourly flow of 650 000 fish per hour with 0,5 g fish.

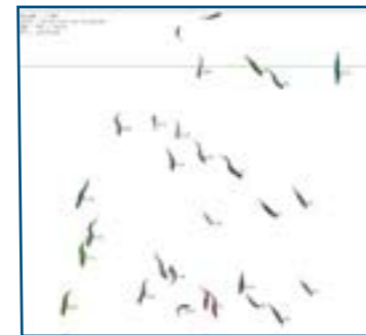
Our technology allows for average weight fish during the counting.

At the end of the counting operation, it is possible to connect a USB key to save the counting report and the video for verification purposes.

Designed to be placed at the outlet of a fish pump for loading trucks or fish transfer.



Pescasight 100 working in Sea Bream hatchery



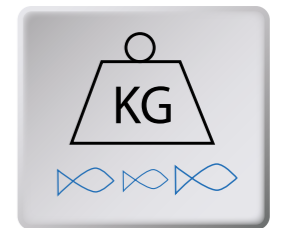
Video for verification



A large touch screen allows the operators to check the counter and to display information.



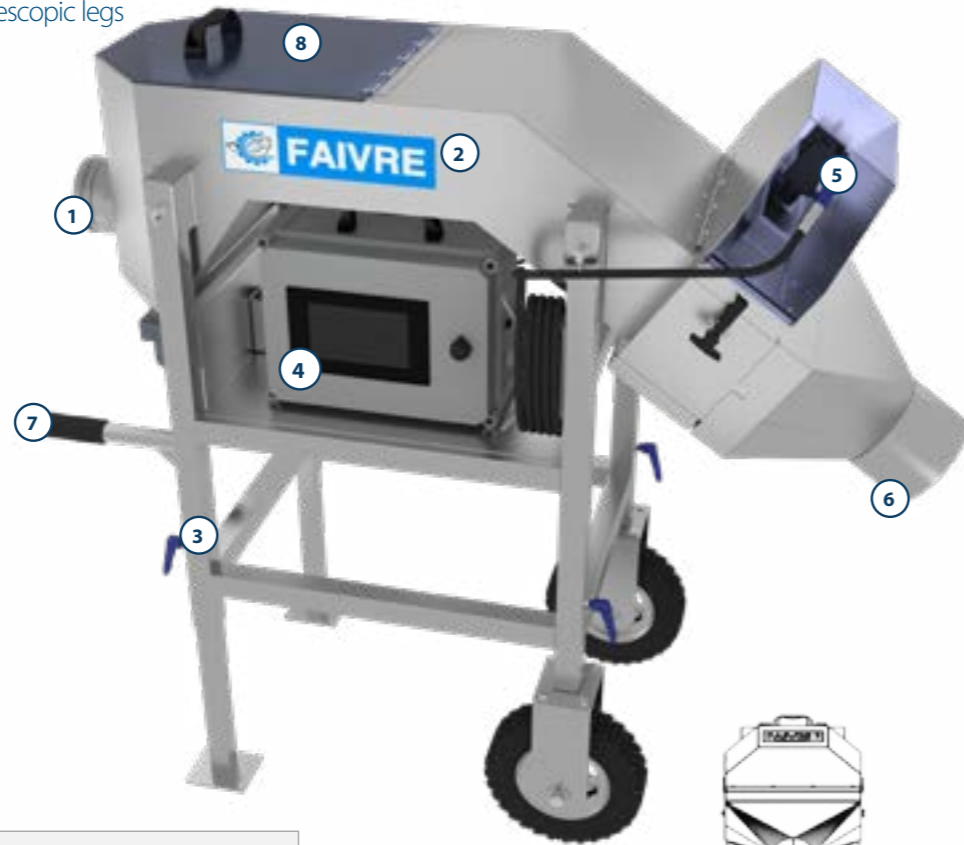
Counting report



Average fish weight as standard

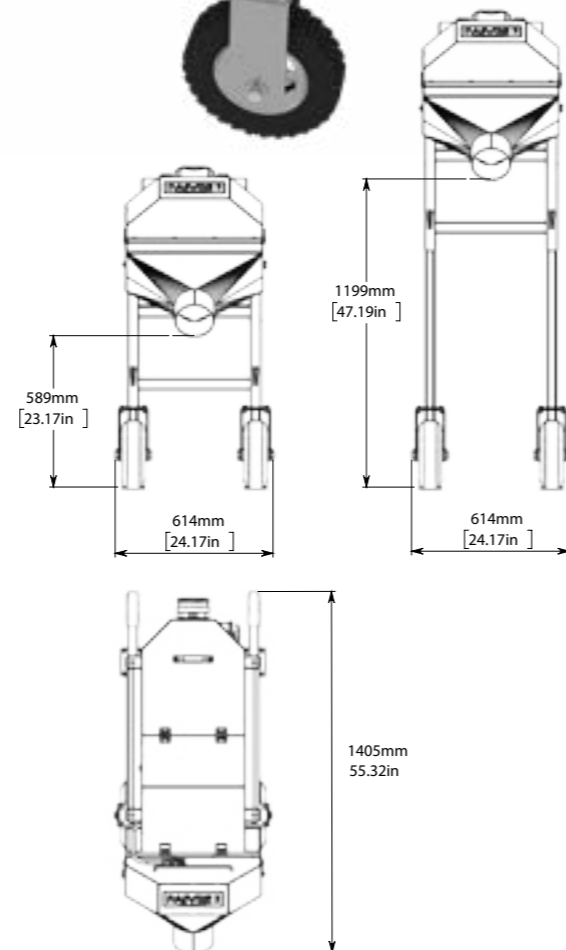
Description

- ① Fish counter inlet female Ø 63 mm - 2,5 in male camlock
- ② Fish counter body in marine grade AISI316L stainless steel
- ③ AISI 316L stainless steel frame with 4 telescopic legs
- ④ 12" Touch screen control unit
- ⑤ Counting unit with camera
- ⑥ AISI 316L Ø 150 mm fish outlet
- ⑦ Carry handles
- ⑧ Chanel Acces cover



Specifications

Fish counter model	Pescasight 100	
Species	Trout Salmon	Bass/Bream/Tilapia/Carps/Perch
Size	0,2 g to 20 g	0,2 g to 20 g
Hourly flow (maxi) with 0,5 g fish	650 000 fish/h	650 000 fish/h
Hourly flow (maxi) with 1 g fish	350 000 fish/h	350 000 fish/h
Channel quantity	1	
Counting channel width	400 mm	
Inlet connection	2,5" male cam lock (60 mm)	
Outlet connection	125 mm	
Accuracy	98% - 100%	
Average fish weight	Included	
Video verification	Included	
Weight	Approx. 75 kg	
Voltage 50/60 Hz	100 - 240 V single phase	
References	PESIG100	



PESCAVISION
Led fish counter

Pescasight
Camera fish counter

HELIOS
Live fish grader

PESCAMOTION
Propeller fish pump



Grading Pack

2,5"

10 Series

6"

30 Series

40 Series

6-8"

50 Series

8-10"

60 Series

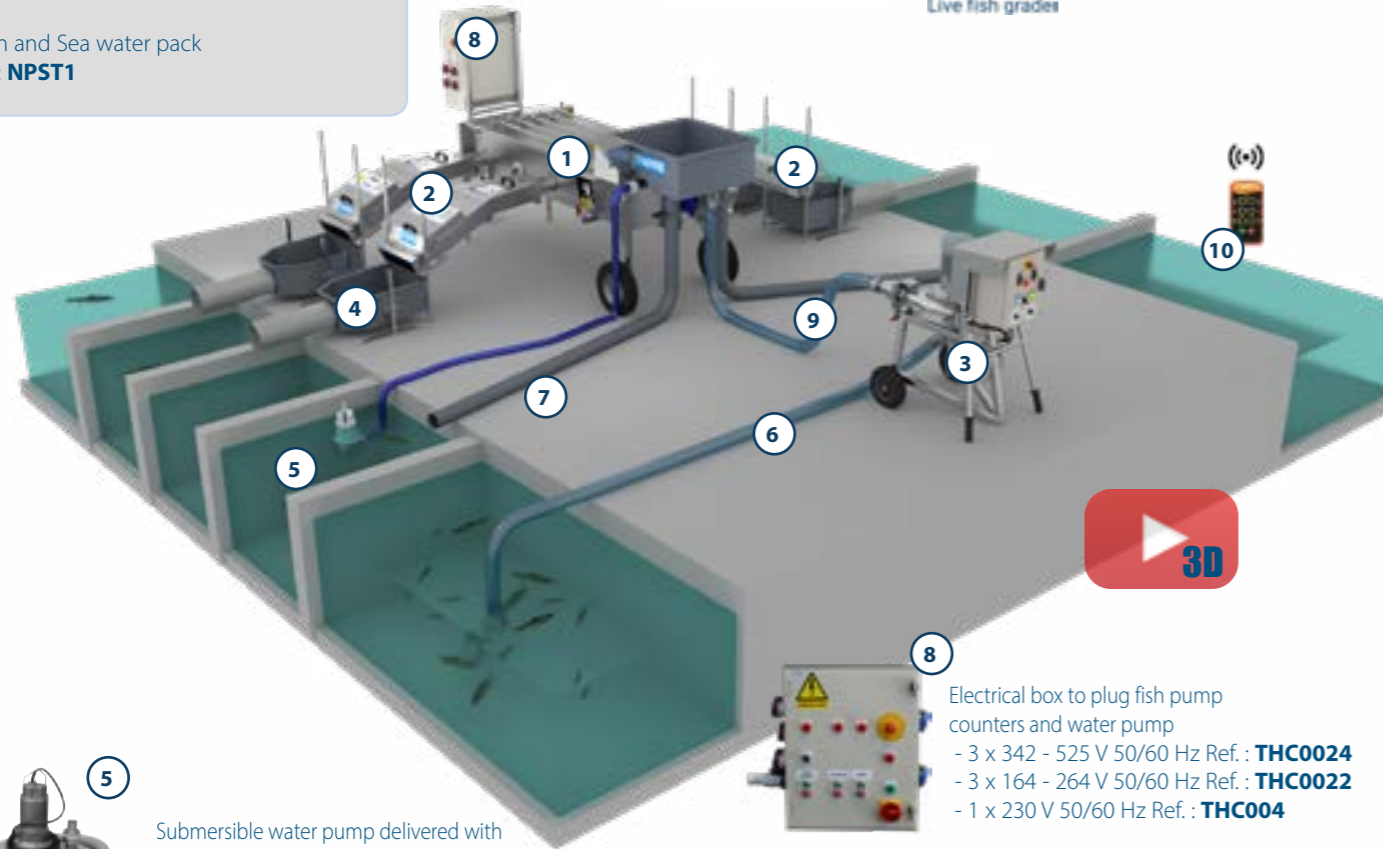
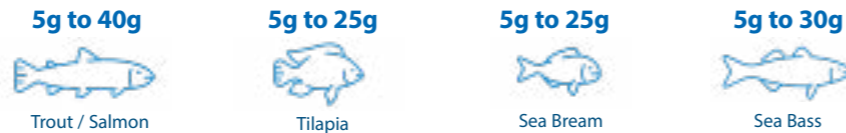
35

Standard Pack

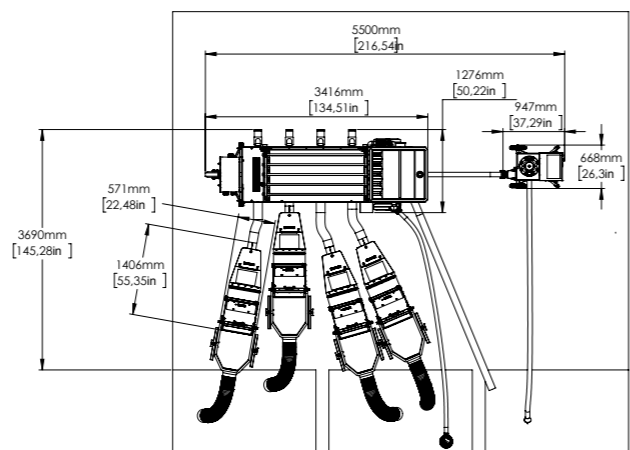
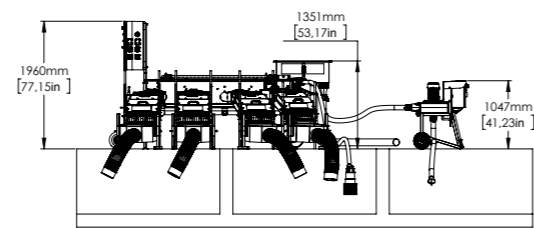
Up to 1000 kg/hour

- 4 sizes :
- 1 Pescamotion 10 fish pump (0,2 g - 40 g)
 - 1 Helios grader 10 (1 g - 40 g) / 5 channels
 - 1 Water pump 20 m³/h
 - 1 Control box THC002
 - 4 Pescavision 10 fish counters (5 g - 150 g)
 - 4 Reception tanks CBRC 200

Fresh and Sea water pack
Ref. : **NPST1**



Submersible water pump delivered with 5 m of flexible pipe and storz fittings to plug at the grader
Ref. (Sea water 316L) : **TPOW10I6T5**



Electrical box to plug fish pump counters and water pump
- 3 x 342 - 525 V 50/60 Hz Ref. : **THC0024**
- 3 x 164 - 264 V 50/60 Hz Ref. : **THC0022**
- 1 x 230 V 50/60 Hz Ref. : **THC004**

- Helios fish grader 10
- 4 Pescavision 10 fish counters
- Fish pump Pescamotion 10 (Ø 63mm - 2,5 in)
- 4 Reception tanks outlet Ø 200 mm
- Submersible water pump 20 m³/h
- 5 m suction flexible pipes Ø 63 mm (2,5 in)
- 5 m dewatering pipes Ø 150 mm (6 in)
- Grader Control box
- 5 m discharge flexible pipes Ø 60 mm (2,5 in)
- Fish pump remote control

Pescavision 10



Specifications

Fish counter model	PESCAVISION 10	
Fish species	Trout Salmon / Bass	Bream/Tilapia
Fish weight	5 g to 150 g	5 g to 30g
Capacity (maxi)	1,5 t/h 35.000 fish/hour	1,5 t/h 35.000 fish/hour
Number of channels	8	8
Channel width	50 mm	50 mm
Connection diameter	125 mm	125 mm
Accuracy	98% - 100%	98% - 100%
Reference (Fresh and sea water)	PESCA10	

Pescamotion 10



Specifications

Fish pump model	PESCAMOTION 10
Main drive control	Frequency variator
Prime drive motor	0,3 kW
Inlet Ø	(60 mm) 2,5" male cam lock
Outlet Ø	(60 mm) 2,5" male cam lock
Total dynamic head	12 m - 40 ft (6 m suction and 6 m discharge)
Fish weight max. (Trout/Salmon)	40 g
Fish weight max. (Bass/Bream/Tilapia)	25/30 g
Water flow	45 m ³ /h - 198 gpm
Reference (Fresh and sea water)	PH0202

Helios 10



Specifications

Grader model	HELIOS 10
Nbr of channels	5
Nbr of size	4
Length of grading channels (mm)	1600
Max. channels opening (mm)	28
Nbr of outlets Ø (mm)	8 x Ø 125
Weight min. - max. Trout/Salmon	1 g - 120 g
Weight min. - max. Bass/Bream	1 g - 50 g
Weight min. - max. Tilapia	0,5 g - 50 g
Hourly rate (tons/hour)	1
Reference (Sea water 316L)	TH1056

Power ratings and weights summary

Machines	Power	Weight
Helios fish grader 10	0,25 kW	260 kg - 445 lbs
Fish pump Pescamotion 10	1,5 kW	90 kg - 198 lbs
Fish counter Pescavision 10 (one unit)	0,05 kW	24 kg - 53 lbs
Water pump 20 m ³ /h	0,55 kW	20 kg - 44 lbs

All packs are given as an example and can be modified according to the customer needs

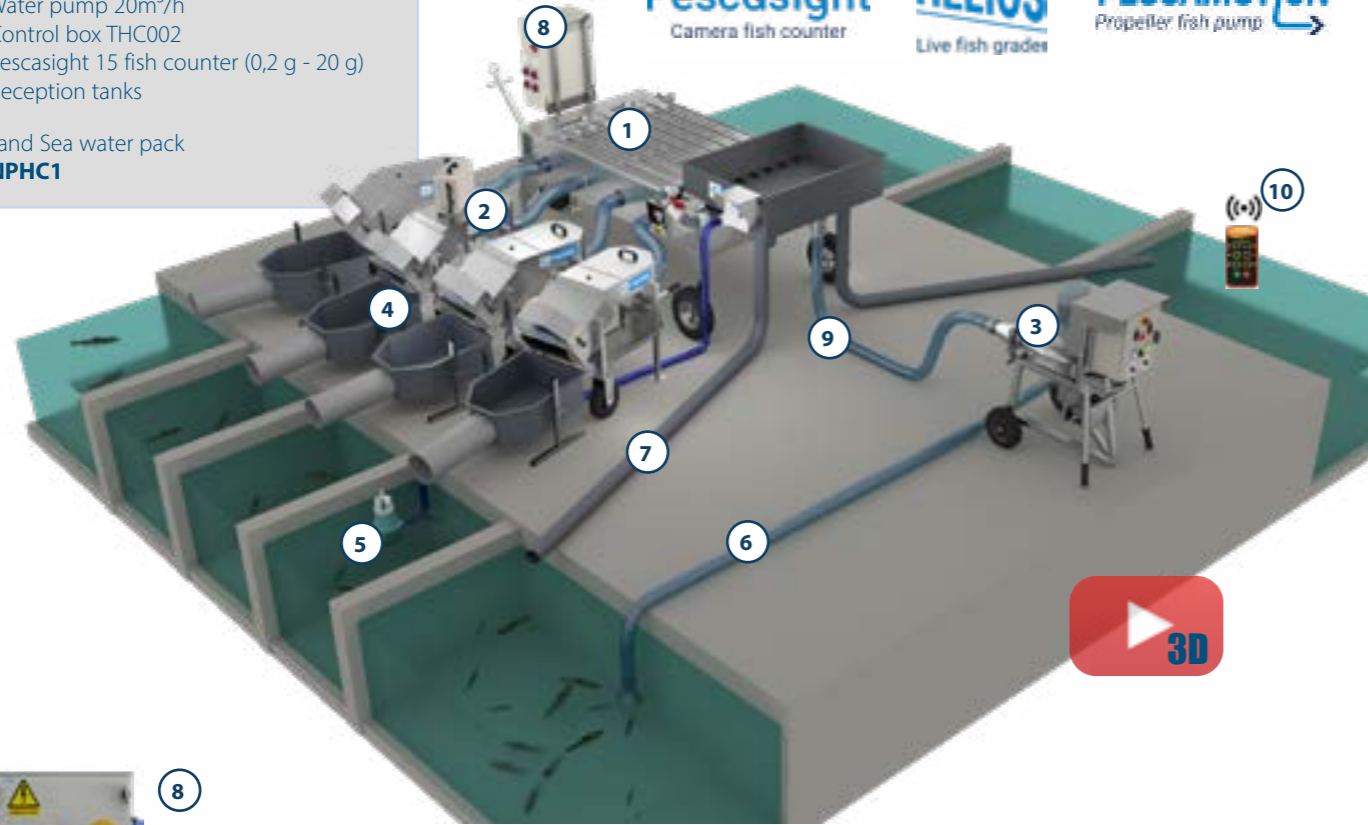
High capacity Pack

Up to 1500 kg/hour

4 sizes :

- 1 Pescamotion 10 fish pump (0,2 g - 40 g)
- 1 Helios grader 100 (1 g - 120 g) / 5 channels
- 1 Water pump 20m³/h
- 1 Control box THC002
- 4 Pescasight 15 fish counter (0,2 g - 20 g)
- 4 Reception tanks

Fresh and Sea water pack
Ref. : **NPHC1**



Pescasight 15



Fish counter model	PESCASIGHT 15	
Fish species	Trout Salmon	Bass/Bream/Tilapia/Carps/Perch
Fish weight	0,2 g to 20 g	0,2 g to 20 g
Number of channels	1	1
Channel width	400 mm	400 mm
Connection diameter	125 mm	125 mm
Accuracy	98% - 100%	98% - 100%
Voltage 50/60 Hz	100 - 240 V Single phase	
Reference (Fresh and sea water)	PSIG15	

Pescamotion 10



Fish pump model	PESCAMOTION 10
Main drive control	Frequency variator
Prime drive motor	0,3 kW
Inlet Ø	(60 mm) 2,5" male cam lock
Outlet Ø	(60 mm) 2,5" male cam lock
Total dynamic head	12 m - 40 ft (6 m suction and 6 m discharge)
Fish weight max. (Trout/Salmon)	40 g
Fish weight max. (Bass/Bream/Tilapia)	25/30 g
Water flow	45 m ³ /h - 198 gpm
Reference (Fresh and sea water)	PH0202

Helios 100



Grader model	HELIOS 100
Nbr of channels	8
Nbr of size	4
Length of grading channels (mm)	1600
Max. channels opening (mm)	28
Nbr of outlets Ø (mm)	8 x Ø 125
Weight min. - max. Trout/Salmon	1 g - 120 g
Weight min. - max. Bass/Bream	1 g - 50 g
Weight min. - max. Tilapia	0,5 g - 50 g
Hourly rate (tons/hour)	1
Height (m)	1,40
Reference (Sea water 316L)	TH1086

Power ratings and weights summary

Machines	Power	Weight
Helios fish grader 100	0,25 kW	520 kg - 1146 lbs
Fish pump Pescamotion 10	1,5 kW	90 kg - 198 lbs
Fish counter (one unit)	0,05 kW	75 kg - 53 lbs
Water pump 20 m ³ /h	0,55 kW	20 kg - 44 lbs

All packs are given as an example and can be modified according to the customer's needs

Summary Range Products

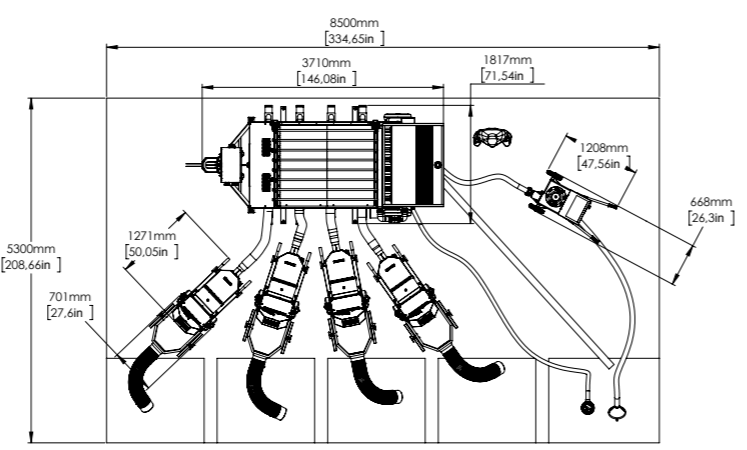
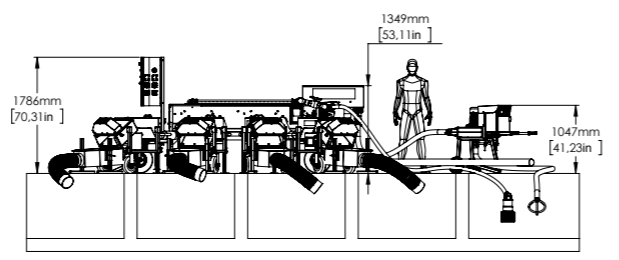
- ① Helios fish grader 100
- ② 4 Pescasight 15 fish counters
- ③ Fish pump Pescamotion 10 (Ø 63mm - 2,5 in)
- ④ 4 Reception tanks outlet Ø 200 mm
- ⑤ Submersible water pump 20 m³/h
- ⑥ 5 m suction flexible pipes Ø 63 mm (2,5 in)
- ⑦ 5 m dewatering pipes Ø 150 mm (6 in)
- ⑧ Grader Control box
- ⑨ 5 m discharge flexible pipes Ø 60 mm (2,5 in)
- ⑩ Fish pump remote control



⑧ Electrical box to plug fish pump counters and water pump
- 3 x 342 - 525 V 50/60 Hz Ref. : **THC0024**
- 3 x 164 - 264 V 50/60 Hz Ref. : **THC0022**
- 1 x 230 V 50/60 Hz Ref. : **THC004**



⑤ Submersible water pump delivered with 5 m of flexible pipe and storz fittings to plug at the grader
Ref. : (Sea water 316L) : **TPOW30I6T5**

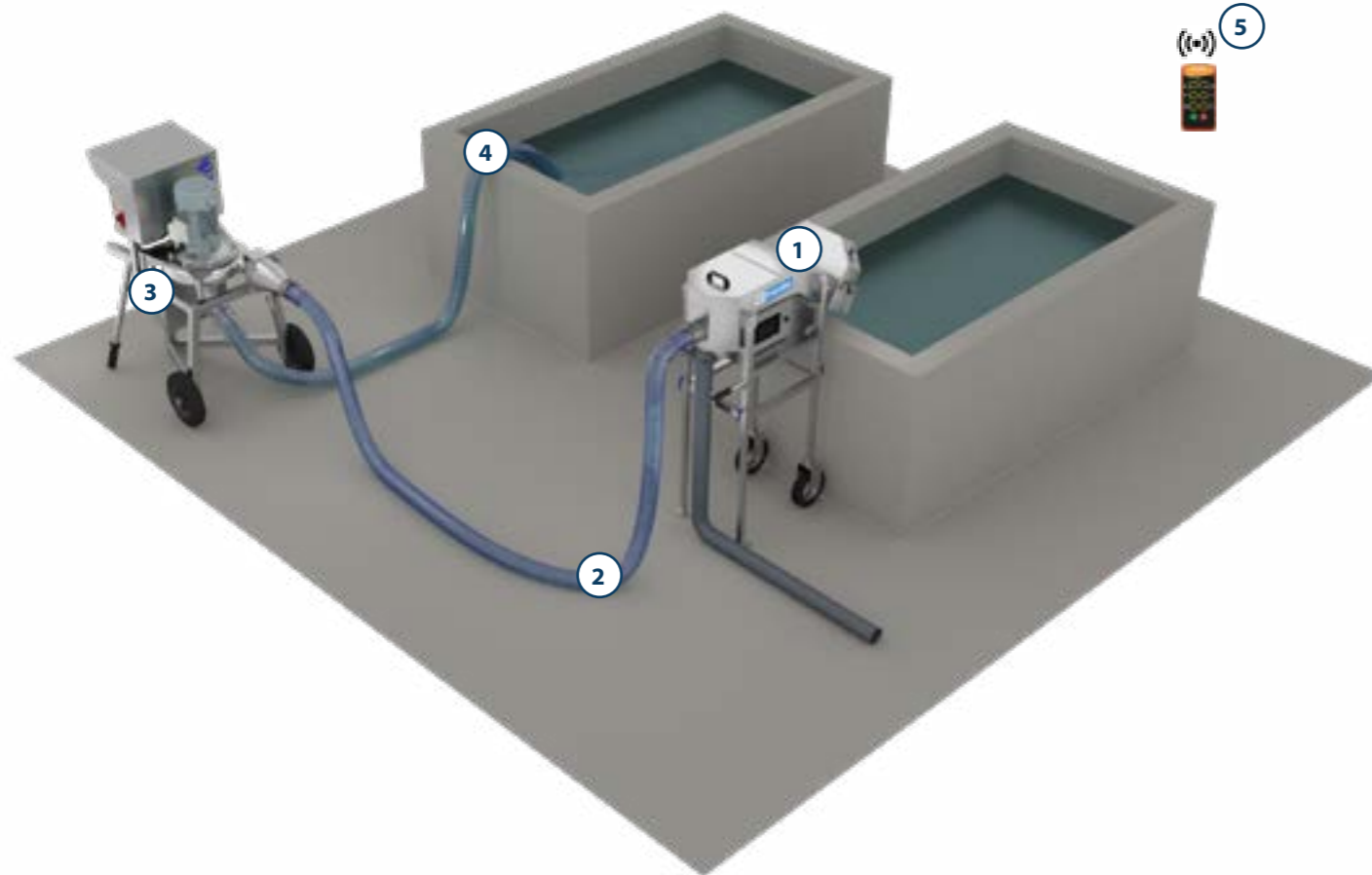
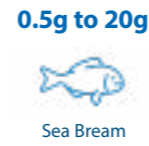
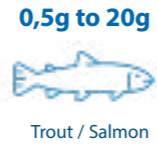


Grading Pack 10 Series 2,5" 30 Series 6" 40 Series 6-8" 50 Series 8" 60 Series 8-10"

Transfer counting Pack

Up to 600 000 fishes/hour (0,5 g)
 - 1 Pescamotion 10 fish pump 2,5" (0,5 - 40 g)
 - 2 x 5 m flexible pipes Ø 63 mm (2,5")
 - 1 Pescasight 100 fish counter (0,2 g - 20 g)

Fresh and Sea water pack
 Ref. : **NPTL1**



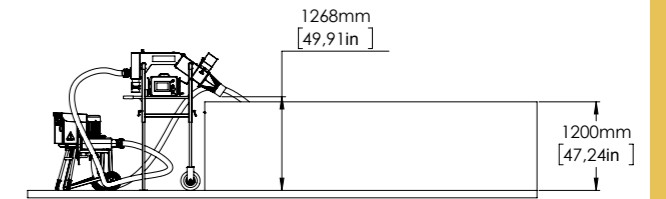
- ① Pescasight 100 fish counter
- ② 5 m discharge flexible pipes Ø 60 mm (2,5 in)
- ③ Fish pump Pescamotion 10 (Ø 63mm - 2,5 in)
- ④ 5 m suction flexible pipes Ø 63 mm (2,5 in)
- ⑤ Fish pump remote control (optional)

Pescasight 100



Specifications

Fish counter model	PESCASIGHT 100	
Fish species	Trout Salmon	Bass/Bream/Tilapia/Carps/Perch
Fish weight	0,2 g to 20 g	0,2 g to 20 g
Hourly flow (maxi) with 0,5 g fish	650 000 fish/h	650 000 fish/h
Hourly flow (maxi) with 1 g fish	350 000 fish/h	350 000 fish/h
Number of channels	1	1
Channel width	400 mm	400 mm
Connection diameter	125 mm	125 mm
Accuracy	98% - 100%	98% - 100%
Voltage 50/60 Hz	100 - 240 V Single phase	
Reference (Fresh and sea water)	PSIG100	

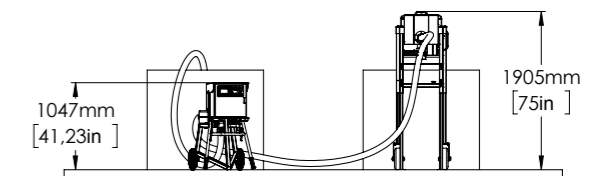
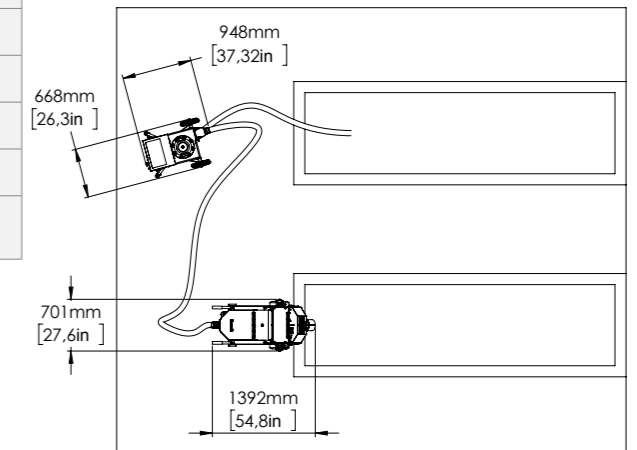


Pescamotion 10



Specifications

Fish pump model	PESCAMOTION 10
Main drive control	Frequency variator
Prime drive motor	0,3 kW
Inlet Ø	(60 mm) 2,5" male cam lock
Outlet Ø	(60 mm) 2,5" male cam lock
Total dynamic head	12 m - 40 ft (6 m suction and 6 m discharge)
Fish weight max. (Trout/Salmon)	40 g
Water flow	45 m ³ /h - 198 gpm
Reference (Fresh and sea water)	PH0202







Power ratings and weights summary

Machines	Power	Weight
Fish pump Pescamotion 10	1,5 kW	92 kg - 202 lbs
Fish counter Pescasight 100	0,1 kW	75 kg - 53 lbs

All packs are given as an example and can be modified according to the customer needs

30

Series Grow out Equipment

- **Salmon / Trout**  40 g to 700 g
- **Tilapia**  30 g to 400 g
- **Sea Bream**  40 g to 400 g
- **Sea Bass**  30 g to 400 g



● Pescamotion 30
Page 43



● Helios 30 / 300
Page 49



● Pescavision 30
Page 56



● Pescavision 300
Page 61



● Pack Standard 30
Page 66



● Pack High Capacity 30
Page 68



● Pack Transfer Counting 30
Page 70

PESCAMOTION

Propeller fish pump 



6"

Fish pump

2,5"

Series

10

Series

30

Series

40

Series

50

Series

60

Series

8-10"

A new 6" (150 mm) fish pump that is light weight, handy, and with better performance.

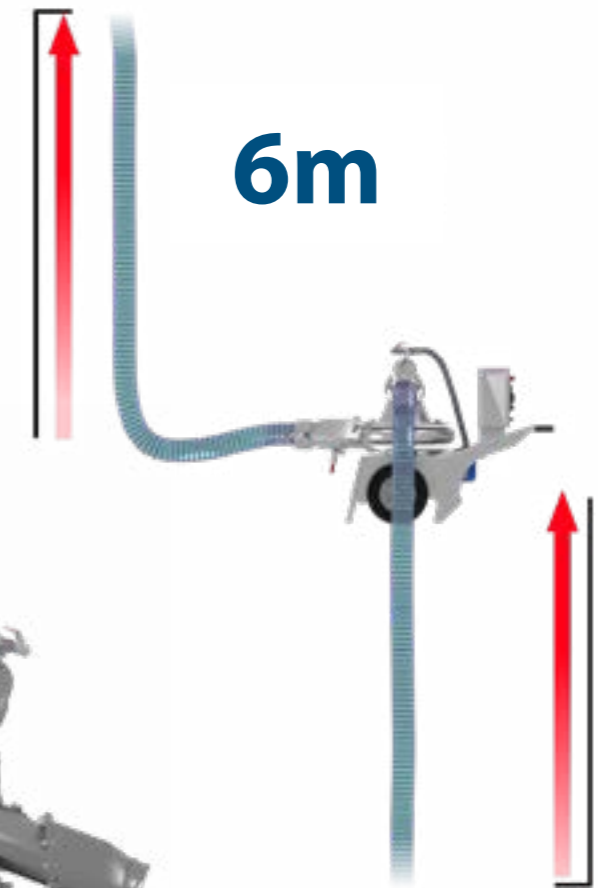
Ideal for supplying a grader, for transferring fish to a tank or loading lorries. The Pescamotion 30 pump can easily be adapted to every situation.

- New design for better performance
- Up to 700 g* Trout Salmon
 - Up to 500 g* Sea Bass and Sea Bream
 - Up to 50 g* Shrimp
 - Up to 12 m total dynamic head.

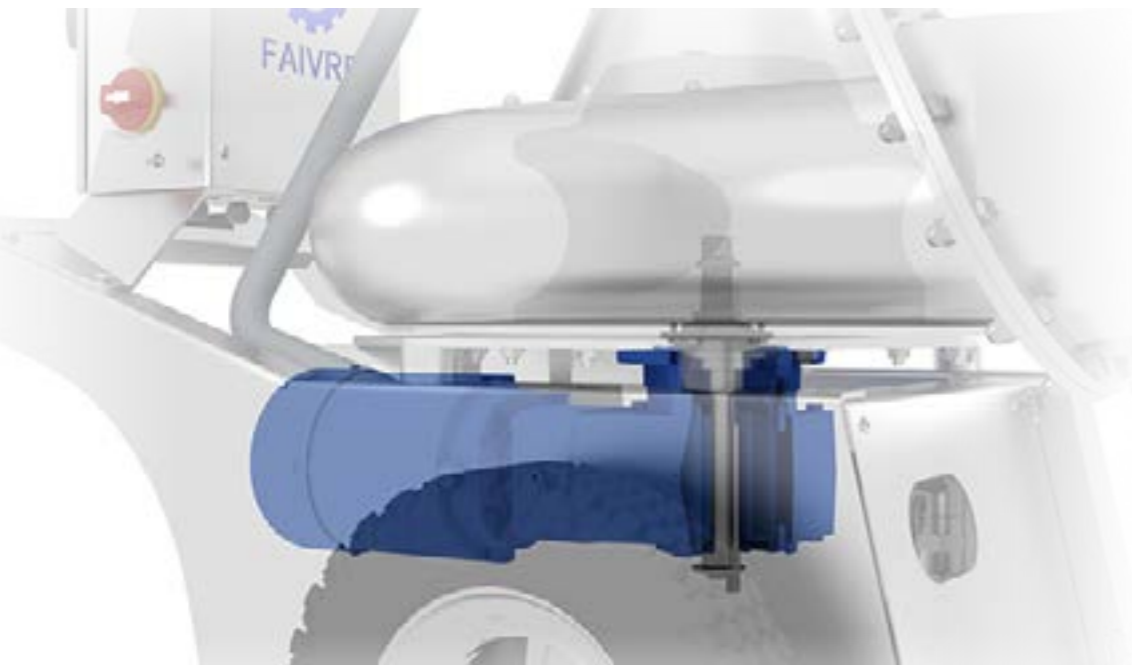
Key benefits :

- ✓ High capacity, up to 20 tons/hour
- ✓ For fish up to 700 g* (Salmonids)
- ✓ Total dynamic head : 12 m
- ✓ Light and handy : 202 kg - 440 lbs
- ✓ Remote control as option (200 m - 650 ft)
- ✓ New "Auto stop" priming system
- ✓ Free maintenance with "Direct drive system" pump
- ✓ Pump housing in Stainless steel 316L (ready to use in sea water)

* Warning : The maximum size of the fish conveyed by the pump can greatly vary depending on the pump speed and the lifting height of the fish.



Inflatable tires Ø 400 mm for an easy moving of the pump in the farm.



Fish pump

2,5"

10 Series

30 Series

6"

40 Series

6-8"

50 Series

8"

60 Series

8-10"

45

Description



- ① Electrical box with speed variator
- ② AISI 316L Stainless steel Adjustable suction elbow
- ③ Handle
- ④ Wheelbarrow frame in marine aluminum
- ⑤ Direct drive geared motor
- ⑥ Inflatable tire Ø 400 mm
- ⑦ Pump outlet valve
- ⑧ Stainless steel pump housing
- ⑨ Ø 150 mm (6") discharge connection
- ⑩ Stabiliser foot
- ⑪ Priming pump



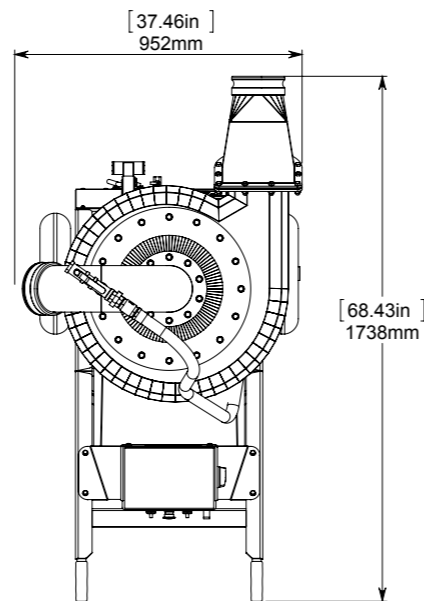
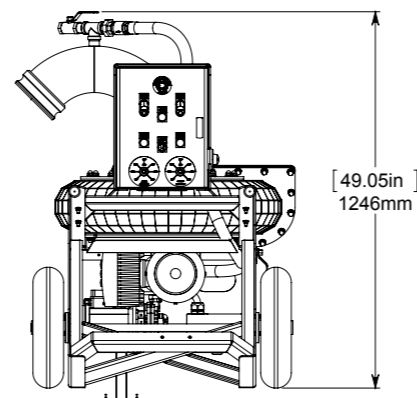
The pump is delivered as standard with a suction cone.

Specifications

Model	PESCAMOTION 30
Main drive motor	3 or 5 kW
Main drive motor control	Frequency variator
Prime drive motor	0,3 kW
Inlet Ø	(152 mm) 6 in male cam lock
Outlet Ø	(152 mm) 6 in male cam lock
Total dynamic head	12 m (3 m suction and 9 m discharge)
Fish weight max. (Trout/Salmon)	700 g*
Fish weight max.(Bass/Bream/Tilapias)	400g
Shrimp weight max (Vannamei)	35g
Pump speed	200 to 600 rpm
Water flow max. (470 rpm, 2 m vertical head discharge)	232 m ³ /h - 1021 gpm
Weight	202 kg - 445 lbs
Reference 3 kW 3 x 360 - 480 V 50/60 Hz	PH0602
Reference 5,5 kW** 3 x 360 - 480 V 50/60 Hz	PH0603
Reference 3 kW 3 x 200 - 240 V 50/60 Hz	PH0604
Reference 3 kW 1x200 - 230 V 50/60 Hz	PH0605

* Warning : The maximum size of the fish conveyed by the pump can greatly vary depending on the pump speed and the lifting height of the fish.

**The pump with 5.5kW (ref. : PH0603) motor is made to transport fish over long distances. (> 500m) For example, shrimp farms use this pump motor power



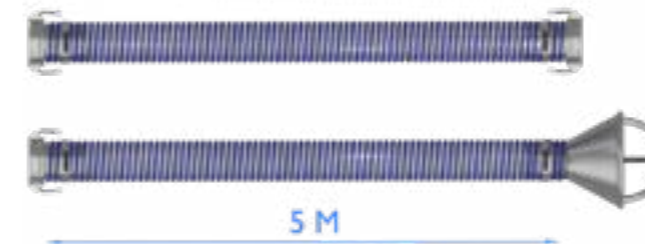
OPTIONS

Remote control

200 meters IP67 remote control, supplied as an option.
Allows a full control of the pump (stop / start, pump priming, pump motor, and speed control)
Belt clip and docking station included
Ref. : **PH00REM2**

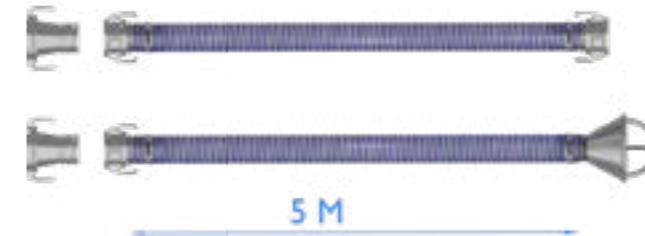


Kit starter Pack 6"



5m Inlet / 5m Outlet cam-lock MF and Suction cone
- kits of 2x5 meters of 6" flexible pipes (PT0601 + PT0602)
Ref. : **PP0601P**

Kit starter Pack 6" to 4"



5m Inlet / 5m Outlet and 4" Suction cone
- 2 female 6" to male 4" aluminum reductions and 2 x 5m of 4" flexible pipes (PT0401 + PT0402 + 2xPH061102)
Ref. : **PP0401PR**

Semi - transparent, flexible hoses

Ø 4" (Ø 100 mm) hoses with male and female cam lock mounted at each end of the hose
Ref. : **PP0403FM** leng. 5 m
Ref. : **PP0404FM** leng. 10 m



Ø 6" (Ø 150 mm) hoses with male and female cam lock mounted at each end of the hose
Ref. : **PP0603FM** leng. 5 m
Ref. : **PP0604FM** leng. 10 m



• OPTIONS

Option parts for fish pump :



OPTION PARTS FOR FISH PUMP 6"

- Cam lock male (Aluminum) Ref. : **CLEA150**
- Cam lock female (Aluminum) Ref. : **CLCA150**
- 6" Suction cone for PH0602 Ref. : **PH061103**

OPTION PARTS FOR FISH PUMP 6" - 4"

- Female to 4" male aluminum reduction (one unit) Ref. : **PH061102**
- Cam lock male (Aluminum) Ref. : **CLEA100**
- Cam lock female (Aluminum) Ref. : **CLCA100**
- 4" Suction cone Ref. : **PH0411013**

Adapter cam lock 6" to 4"



Thanks to a 4" reduction of its inlet and outlet, Pescamotion 30 is adapted to pump small fish. This solution allows you to use your Pescamotion 30 in a nursery and to transfer your fish with a low water flow. Ref. : **PH061102**

4" (100 mm) male



6" (150 mm) female

Dewatering hopper Dewat 30 (6")

The Dewat 30 (5mm grid) suitable for the Pescamotion 30 pump and the Helios 30 grader. Delivered with Ø200mm slide gate valve and 2m flexible pipe Ref. : **TD0602**



HELIOS

Live fish grader



• Helios 300



• Helios 30

Fish Grader

2,5"

10 Series

6"

30 Series

6-8"

40 Series

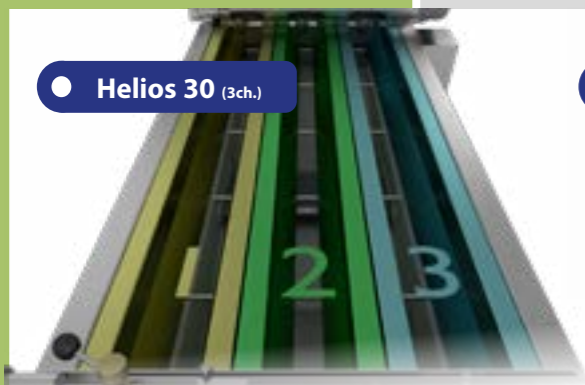
8"

50 Series

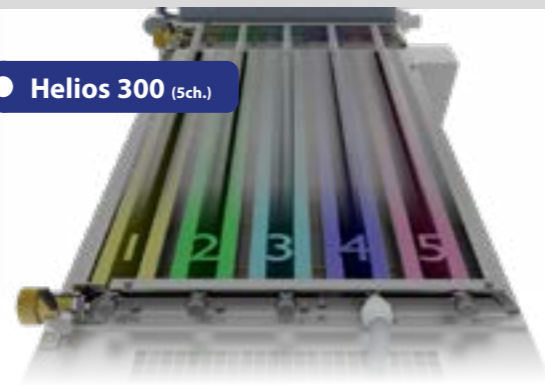
8-10"

60 Series

Summary ▲ Range Products ▲



● Helios 30 (3ch.)



● Helios 300 (5ch.)



Helios 30 working on sea cages

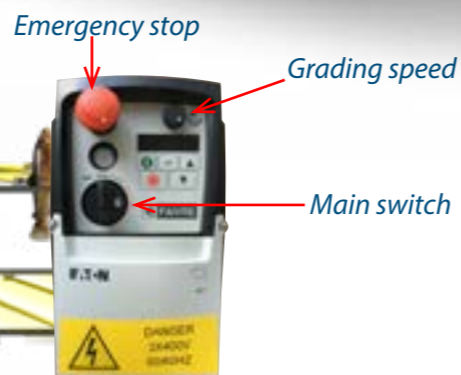
HELIOS 30 - 300 grader : for smolts

5 g - 800 g
3 or 5 channels
3 or 4 sizes

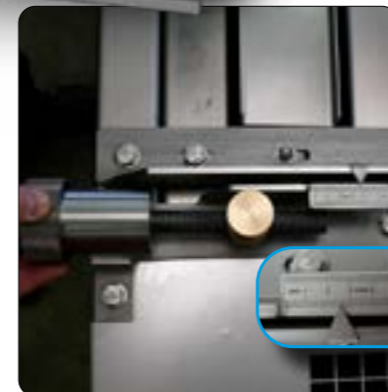
HELIOS 30 - 300 is a high precision grader with a huge capacity. It is made to efficiently grade smolts, Sea Bass, Sea Bream, Tilapia, Trout, etc... Light and easy to handle, HELIOS 30 - 300 is adapted to every situation. An essential machine for every fish farm.

Compact and light graders

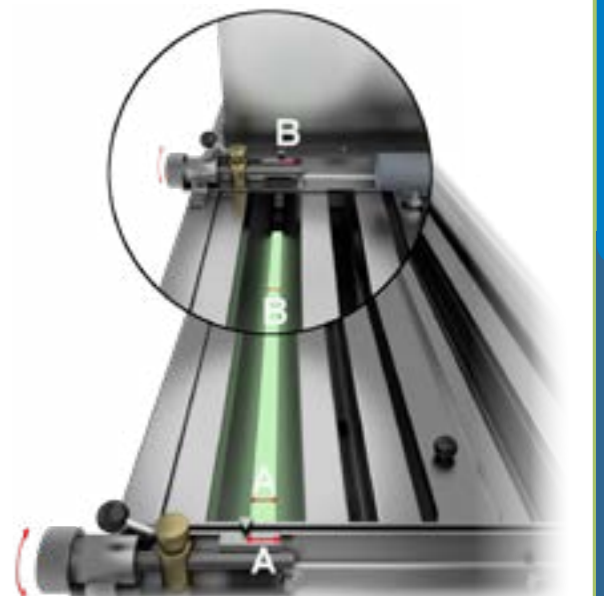
- ✓ 3 or 5 grading channels of 2000 mm length.
- ✓ 6 or 8 x Ø 160 mm outlets on both side.
- ✓ Made of polyester and AISI 316L/AISI 304L Stainless steel.
- ✓ An elaborate watering system fitted with adjustment valves.
- ✓ A grader fitted with the performing SPS Technology made for a high speed grading without injury.
- ✓ Electronic adjustable grading speed



Fish grader IP 67 electric panel.



Accurate adjustment vernier



Fish Grader

2,5"

10 Series

6"

30 Series

6-8"

40 Series

8"

50 Series

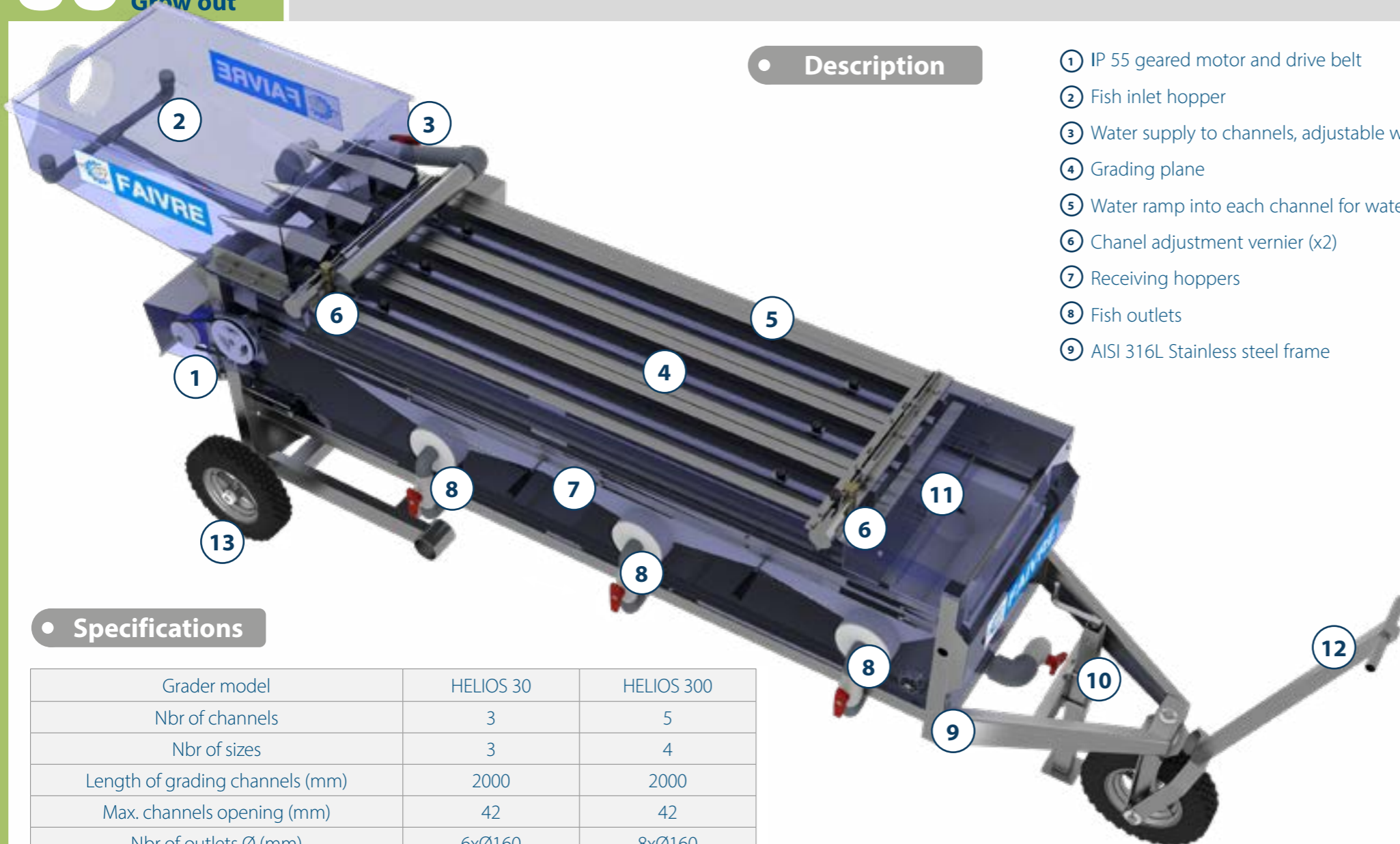
8-10"

60 Series

Summary ▲ Range Products ▲

Description

- ① IP 55 geared motor and drive belt
- ② Fish inlet hopper
- ③ Water supply to channels, adjustable with a valve
- ④ Grading plane
- ⑤ Water ramp into each channel for watering fish
- ⑥ Chanel adjustment vernier (x2)
- ⑦ Receiving hoppers
- ⑧ Fish outlets
- ⑨ AISI 316L Stainless steel frame
- ⑩ Front lifting jack
- ⑪ Fish conveying fingers
- ⑫ Towbar
- ⑬ Inflatable tires Ø400mm



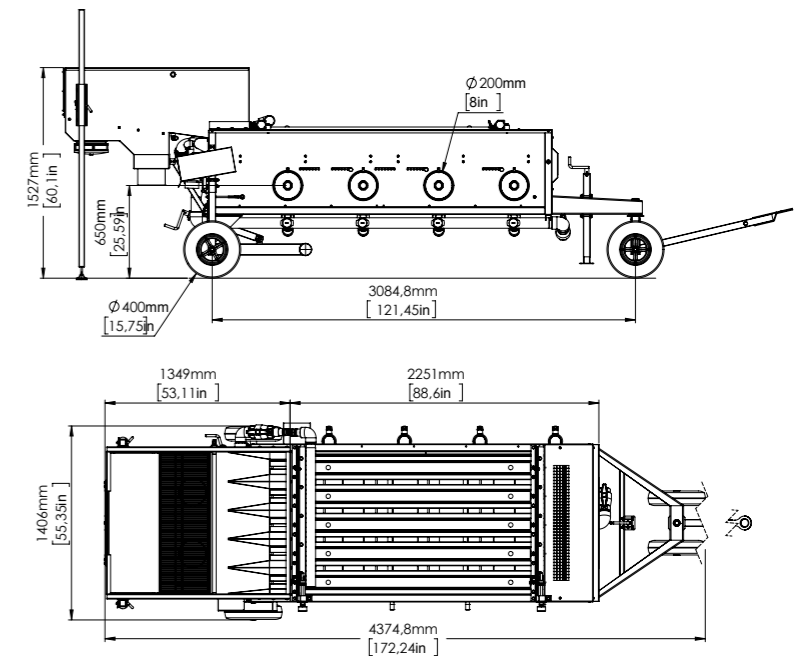
Specifications

Grader model	HELIOS 30	HELIOS 300
Nbr of channels	3	5
Nbr of sizes	3	4
Length of grading channels (mm)	2000	2000
Max. channels opening (mm)	42	42
Nbr of outlets Ø (mm)	6xØ160	8xØ160
Weight min. - max. (Trout/Salmon)	5 g - 800 g	5 g - 800 g
Weight min. - max. (Bass/Bream/Tilapia/Carp)	5 g - 400 g	5 g - 400 g
Hourly rate (tons/hour)	2 - 4	3 - 6
Grader weight (kg)	430	620
Height (m)	1,3	1,5
Motor power 220V 1ph (50 Hz/60 Hz) / 380V 3ph (50 Hz/60 Hz)	0,25 kW	0,37 kW
Advice pump flow (m3/h)	30	40
Reference	TH3036	TH3056

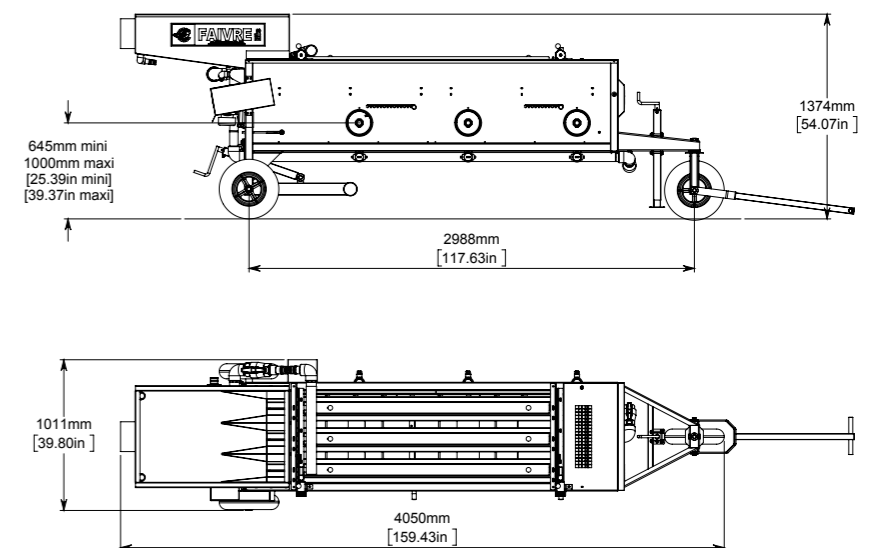
The grader motors are available in 4 supply voltages (add the desired voltage reference to the grader reference for your requests):

- Three phases 342 - 528 V 50/60 Hz Ref. : **400T**
- Three phases 180 - 264 V 50/60 Hz Ref. : **230T**
- Single phase 180 - 264 V 50/60 Hz Ref. : **230M**
- Single phase 110 V 50/60 Hz Ref. : **110M**

Helios 300



Helios 30



OPTIONS

Control box «Packcontrol»

This option considerably reduces the cables left on the ground. Each equipment can be directly connected to this electrical cabinet, which is attached to the sorter. The box allows you to connect and control:

- 1 grader
- 2 water pumps
- 1 fish pump
- 4 counters.

The front panel switches allow each device to be turned on or turned off separately. Thermal circuit breakers ensure the protection of each piece of equipment. A differential switch protects the operators.

- Ref. :
- 3 x 342 - 525 V 50/60 Hz inlet voltage Ref. : **THC0024**
 - 3 x 164 - 264 V 50/60 Hz inlet voltage Ref. : **THC0022**
 - 1 x 230 V 50/60 Hz inlet voltage Ref. : **THC004***
- * water pump max. 2,2kW with a single phase



Universal dewatering hopper

This universal dewatering hopper allows you to connect a Pescavac pump or an elevator or a Pescamotion pump.

- For Helios 30 grader :
- Ø fish pump pipe 6"
- Ref. : **TH303DEWU**

- For Helios 300 grader :
- Ø fish pump pipe 6"
- Ref. : **TH305DEWU**



Water pump for grader

A suitable water pump must be connected to the grader in order to grade the fish without damage. We can offer you a Stainless steel submersible pump adapted to your machine. This pump has a Stainless steel strainer to suck the fish, it is delivered with 2.5 m of flexible hose and fittings adapted to the grader.

- For Helios 30 grader
- Pump flow 30 m³/h supply voltage 0,75 kW 1 x 230 V 50 Hz Ref. : **TPOW3016M5**
 - Pump flow 30 m³/h supply voltage 0,75 kW 3 x 400 V 50 Hz Ref. : **TPOW3016T5**

- Accessories
- 5m flexible hose Ø50mm (2 ") and storz fitting plus 90 ° Stainless steel elbow to connect the pump to the grader Ref. : **TPOHLINK50**

- For Helios 300 grader
- Pump flow 40 m³/h supply voltage 1,1kW 1 x 230 V 50 Hz Ref. : **TPOW4016M5**
 - Pump flow 40 m³/h supply voltage 1,1kW 3 x 400 V 50 Hz Ref. : **TPOW4016T5**

- Accessories
- 5m flexible hose Ø60 mm (2,5 ") and storz fitting plus 90 ° Stainless steel elbow to connect the pump to the grader Ref. : **TPOHLINK60**

60 Hz pump on request

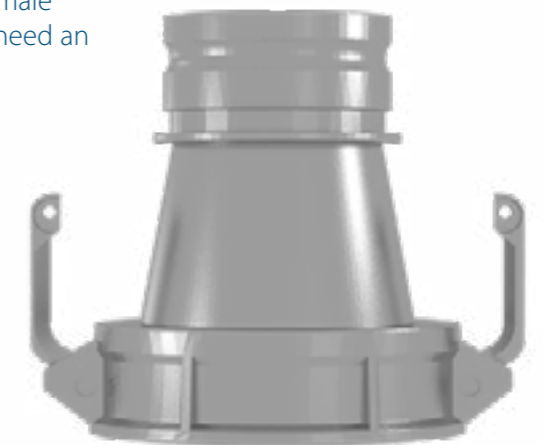


Adapters

The inlet of the dewatering hopper of the graders is a 6" (150 mm) male cam lock. If you want to connect a 4" or 8" hose to this hopper, you need an adapter.

- To connect a 4" (100mm) pipe to the dewatering hopper
- 6" female to 4" male aluminum reduction Ref. : **PH061102**

- To connect an 8" (200 mm) pipe to the dewatering hopper
- 8" female to 6" male aluminum reduction Ref. : **PH061111**



PESCAVISION

Led fish counter

Pescavision 30

Fish counters for counting Fish weight from 40g to 1kg

They offer an unparalleled ease of use. They can be installed very quickly. The Pescavision 30 model cover counting needs extending from 40g to 1kg.

It is designed to be placed at the outlet of the grading machine, thereby centralizing the equipment and reducing the installation time. With this system, no more counters at the end of the pipes.

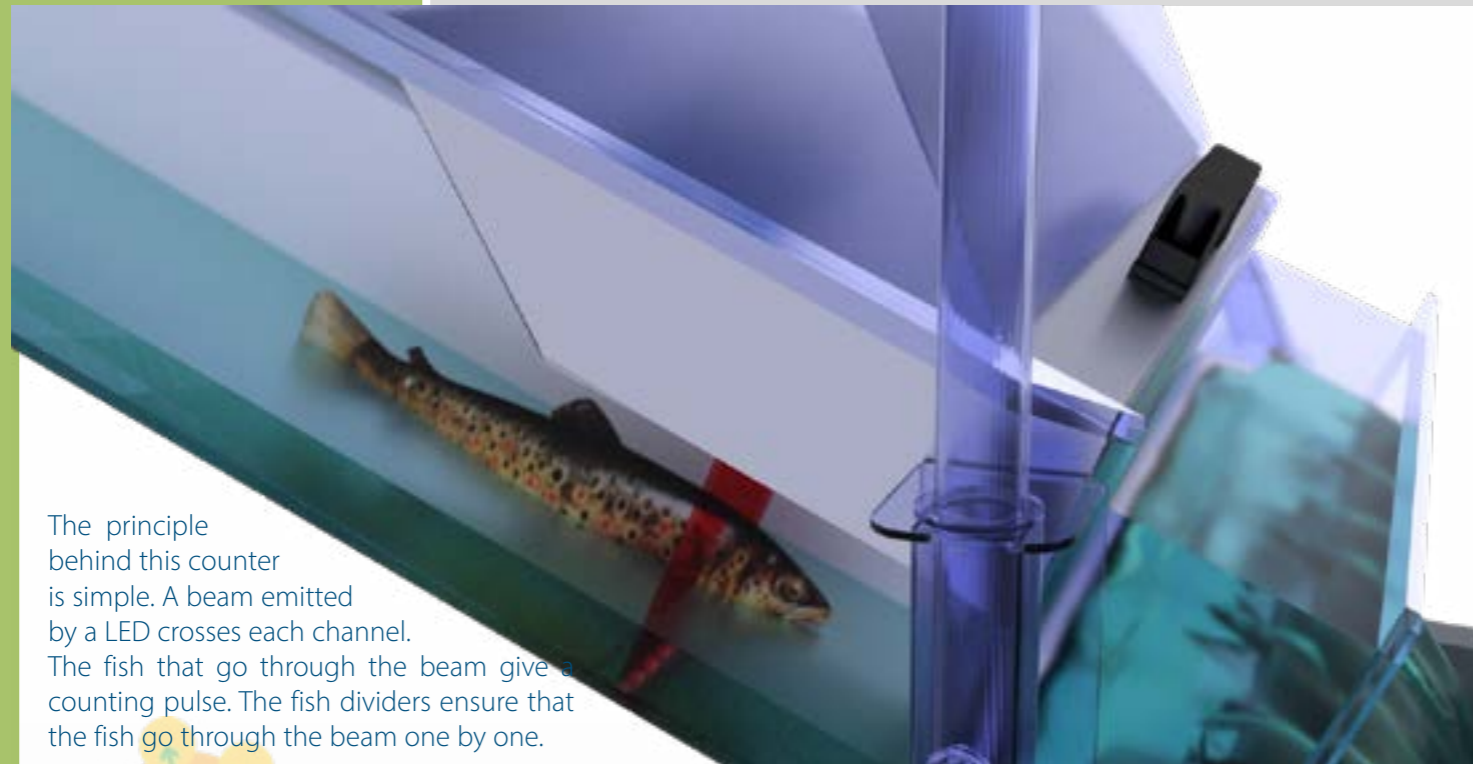
Our Pescavision count many fish species such as:

- Trout
- Salmon
- Tilapia
- Carps
- Perch
- Sea Bass
- Sea Bream
- Etc...

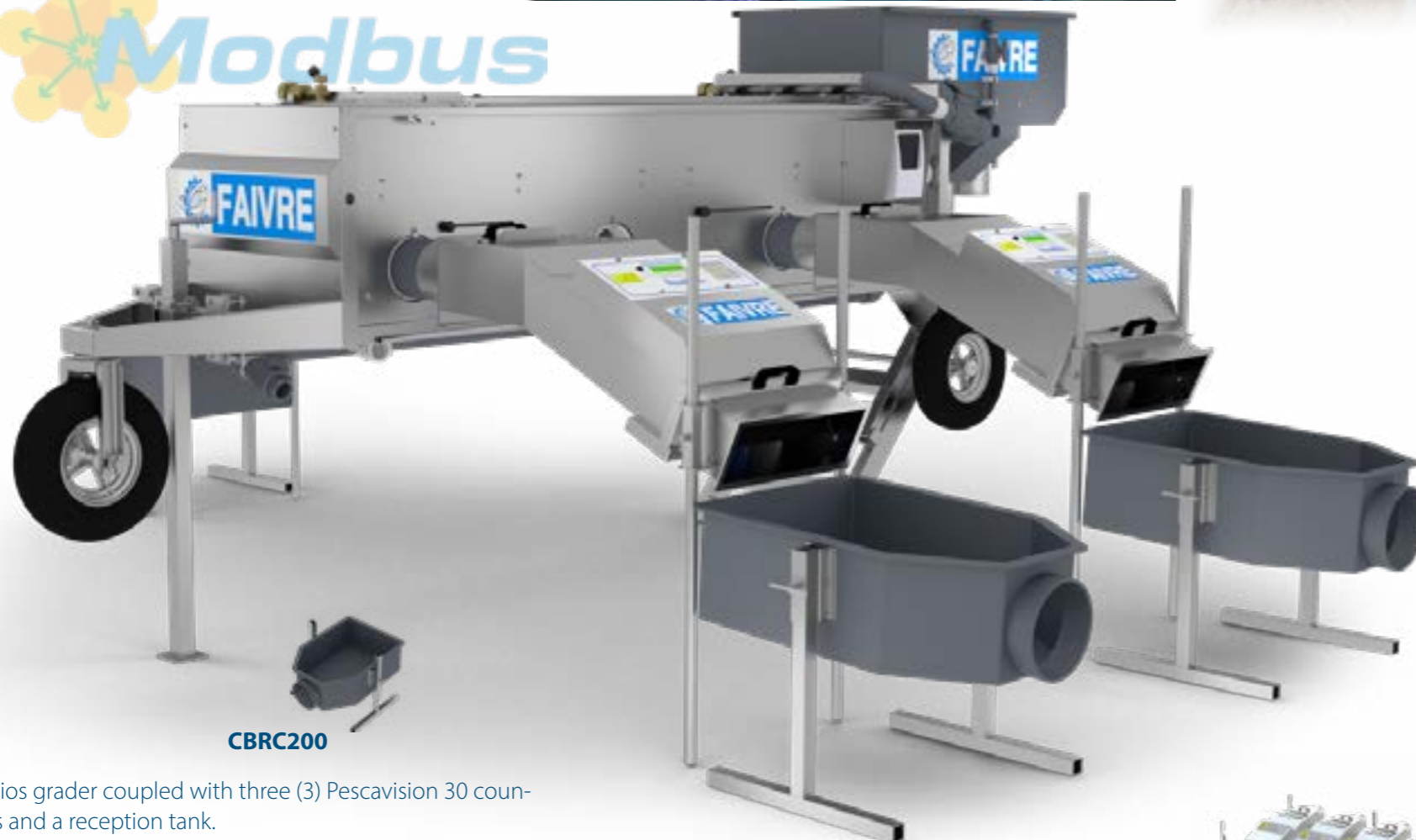


The Pescavision 30 as 4 counting channels.





The principle behind this counter is simple. A beam emitted by a LED crosses each channel. The fish that go through the beam give a counting pulse. The fish dividers ensure that the fish go through the beam one by one.

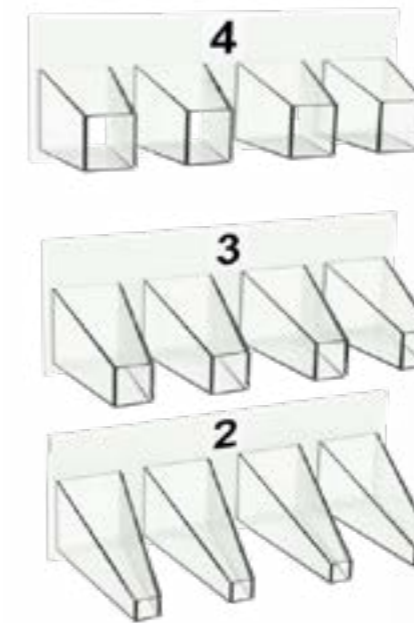


CBRC200

Helios grader coupled with three (3) PescaVision 30 counters and a reception tank.

Reception tank for PescaVision :
- Ø 200 mm Ref. : **CBRC200**

Easy to install on the farm with our new counting station with four (4) PescaVision fish counters and a reception tank.
Ref. : **PESCATROL** (see page 164)



A NEW optional control box to centralize counting information up to 4 fish counters
Ref. : **PESCA4CO**



Easy to use !
Large touch screen counter display.
All information in a single display:
- Number of fish for each counter
- Total number of fish
- History of the 5 last counting sessions
- Counting time



*Download the counting report on your PC with the USB key.

(*Control Box only)

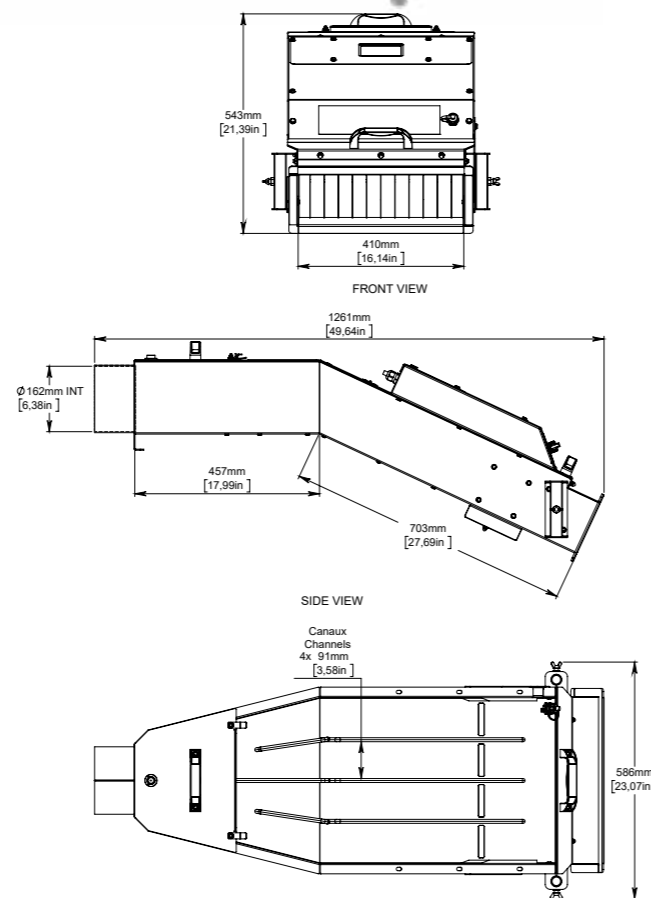
Description

- ① Fish counter inlet female Ø 160 mm
- ② Fish dividers (Our fish counter is delivered with 4 fish dividers)
- ③ Fish counter body in marine grade aluminum
- ④ Channel access with cover
- ⑤ LCD display : number of fish
- ⑥ Counter feet
- ⑦ Carry handles
- ⑧ Fish counter outlet



Specifications

Fish counter model	PESCAVISION 30	
Fish species	Trout Salmon/Bass	Bream/Tilapia
Fish weight	40 g to 1 kg	40 g to 400 g
Capacity (maxi)	3 t/h	
Number of channels	4	
Channel width	91 mm	
Connection diameter	160 mm	
Accuracy	98% - 100%	
Weight	24 kg	
Voltage 50/60 Hz	Delivered with 110-240 V/24 V power supply	
Reference (Fresh and sea water)	PESCA30	



PESCAVISION

Led fish counter



Fish Counter

2,5"

10 Series

6"

30 Series

6-8"

40 Series

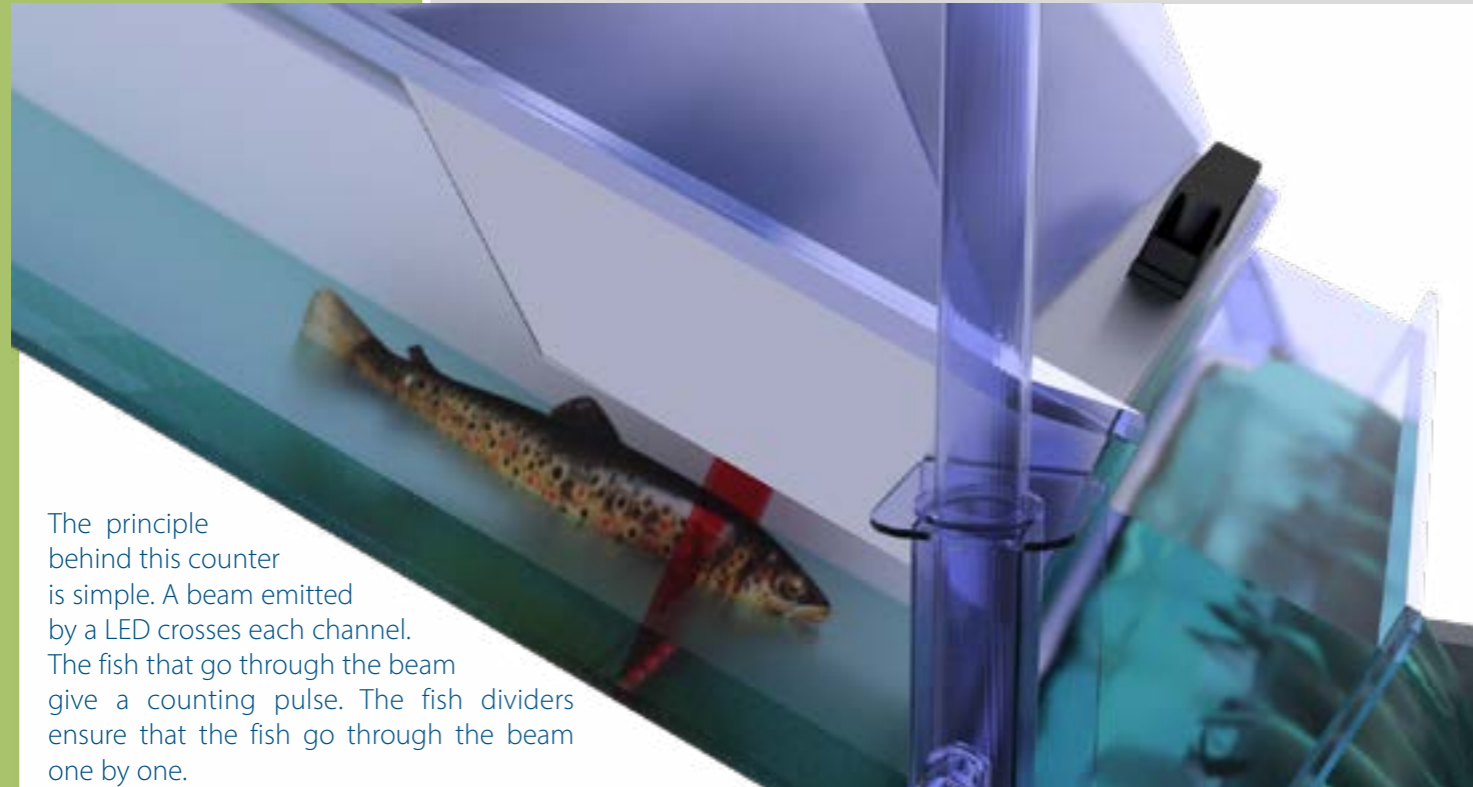
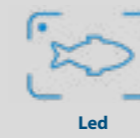
8"

50 Series

8-10"

60 Series

Fish counter Pescavision 300



The principle behind this counter is simple. A beam emitted by a LED crosses each channel. The fish that go through the beam give a counting pulse. The fish dividers ensure that the fish go through the beam one by one.



Fish Counter

2,5"

10 Series

6"

30 Series

6-8"

40 Series

8"

50 Series

8-10"

60 Series

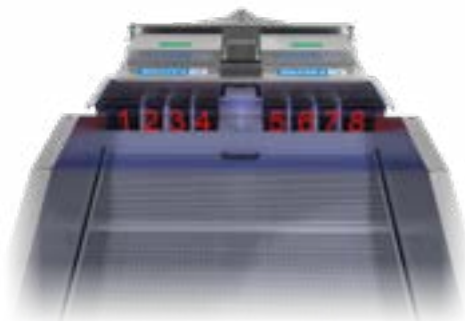
40 g - 1 kg
8 channels

● Pescavision 300

For trout and salmon from 40 g up to 1 kg.

Designed to be placed at the outlet of a fish pump for loading trucks or fish transfer.

At the end of the counting operation, you can connect a USB key to save the counting report.



Counting report



Installation with Pescamotion 30 Pescavision 300



Download the counting report on your PC with the USB key.



The double outlet will allow you to distribute evenly the fish in 2 different cages or raceways during the counting.
Ref. : **P300L80502**



Pescavision		09 : 32 : 05
C1	00113250	774 774 Salmóns 80 to 220g
C2	00112520	Total 00225770
Q.t		View history View settings

A large touch screen allows to check the counter and to display information.



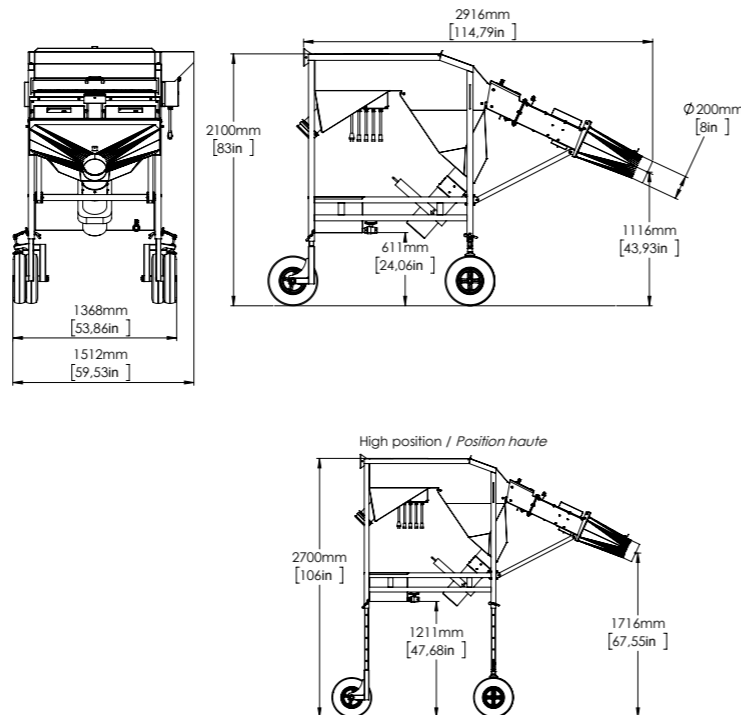
Description

- ① Fish counter inlet female Ø 150 mm - 6 in male camlock
- ② Fish counter body in marine grade aluminum
- ③ Frame with telescopic legs
- ④ 7 in Touch screen control unit
- ⑤ Counting units
- ⑥ Ø 200 mm fish outlet
- ⑦ Fish separator cover
- ⑧ Dewatering outlet valve



Specifications

Fish counter model	Pescavision 300	
Species	Trout Salmon	Bass/Bream/ Tilapia/Carps/ Perch
Fish weight	40 g to 1kg	40 g to 400 g
Hourly flow (maxi) at 300g	7 - 9 tons/h	
Channel nbr	8	
Counting channel width	91 mm	
Inlet connection	6" male camlock (150 mm)	
Outlet connection	200 mm	
Dewatering connection	200 mm	
Accuracy	98% - 100%	
Weight	Approx. 150 kg	
Voltage	1x110-240 V 50/60 Hz	
References	PVIS300	



Grading Pack
 2,5"
 10 Series
 6"
 30 Series
 6-8"
 40 Series
 8"
 50 Series
 8-10"
 60 Series

Summary ▲ Range Products ▲

Standard Grading pack

Standard Pack

Up to 2 - 3 tons/hour

3 sizes :

- 1 Pescamotion 30 fish pump (3 g - 700 g)
- 1 Helios 30 grader (5 g - 800 g) /3 channels
- 1 Water pump 30m³/h
- 1 Control box
- 1 Pescavision 10 fish counter (5 g - 150 g)
- 2 Pescavision 30 fish counters (40 g - 1k g)
- 3 Reception tanks

Fresh and Sea water pack
Ref. : **GPST3**



Pescamotion 30



Specifications

Fish pump model	PESCAMOTION 30
Main drive motor	3 kW
Prime control	Frequency variator
Prime drive motor	0,3 kW
Inlet Ø	(152 mm) 6" male camlock
Outlet Ø	(152 mm) 6" male camlock
Total dynamic head	12 m - 40 ft (3m suction and 9 m discharge)
Fish weight max.	700 g Trout/Salmon
Pump speed	200 to 600 rpm
Water flow	232 m ³ /h - 1021 gpm
Reference (Fresh and sea water)	PH0602

Pescavision 10&30



Specifications

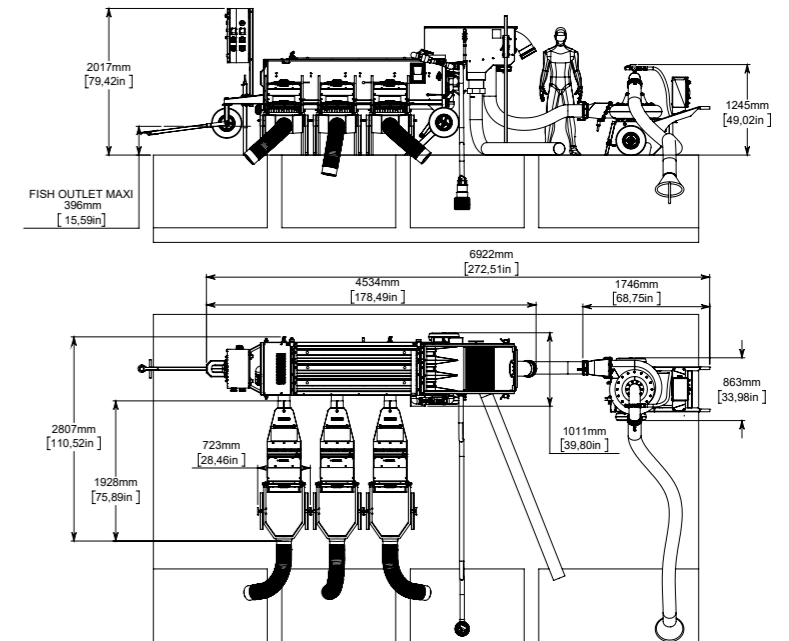
Fish counter model	PESCAVISION 10		PESCAVISION 30	
	Trout Salmon/Bass	Bream/Tilapia	Trout Salmon	Bream/Bass-Tilapia
Fish species				
Fish weight	5 g to 150 g	5 g to 50 g	40 g to 1 kg	40 g to 400 g
Capacity (maxi)	1,5 t/h 35.000fish/hour	1,5 t/h 35.000fish/hour	3 t/h	3 t/h
Number of channels	8	8	4	4
Channel width	50 mm	50 mm	100 mm	100 mm
Connection diameter	160 mm	160 mm	160 mm	160 mm
Accuracy	98% - 100%	98% - 100%	98% - 100%	98% - 100%
Voltage	100 - 240 V/24 V		100 - 240 V/24 V	
Reference (Fresh and sea water)	PESCA10		PESCA30	

Helios 30



Specifications

Grader model	HELIOS 30
Nbr of channels	3
Nbr of size	3
Length of grading channels (mm)	2000
Max. channels opening (mm)	42
Nbr of outlets Ø (mm)	6 x Ø 160
Weight min. - max. Trout/Salmon/Bass	5 g - 800 g
Weight min. - max. Tilapia/Bream/Carp	5 g - 400 g
Hourly rate (tons/hour)	2 - 4
Height (m)	1,3
Advice pump flow (m ³ /h)	30
Reference (Sea water 316L)	TH3036



Power ratings and weights summary

Machines	Power	Weight
Helios fish grader 30	0,25 kW	430 kg - 948 lbs
Fish pump Pescamotion 30	3 kW	202 kg - 445 lbs
Fish counter (one unit)	0,05 kW	24 kg - 53 lbs
Water pump 30 m ³ /h	0,75 kW	20 kg - 44 lbs

All packs are given as an example and can be modified according to the customer needs



8 Electrical box to plug fish pump counters and water pump
Ref. : (3 x 400 V 50/60 Hz) : **THC002**
Ref. : (3x230 V 50/60 Hz) : **THC006**



5 Submersible water pump delivered with 5m of flexible pipe and storz fittings to plug at the grader
Ref. : (Sea water 316L) : **TPOW3016T5**

- 1 Helios fish grader 30
- 2 4 Pescavision 30 fish counters
- 3 Fish pump Pescamotion 30 (Ø 150mm - 6 in)
- 4 4 Reception tanks outlet Ø 200 mm
- 5 Submersible water pump 30 m³/h
- 6 5 m suction flexible pipes Ø 150mm (6 in)
- 7 5 m dewatering pipes Ø 200 mm (8 in)
- 8 Grader Control box
- 9 5 m discharge flexible pipes Ø 150 mm (6 in)
- 10 Fish pump remote control (optional)

High capacity Pack

Up to 4 - 5 tons/hour

- 3 sizes :
- 1 Pescamotion 30 fish pump (3 g - 700 g)
 - 1 Helios 300 grader (5 g - 800 g)/5 channels
 - 1 Water pump 30 m³/h
 - 1 Control box
 - 1 Pescavision 10 fish counter (5 g - 150 g)
 - 3 Pescavision 30 fish counters (40 g - 1 kg)
 - 4 Reception tanks

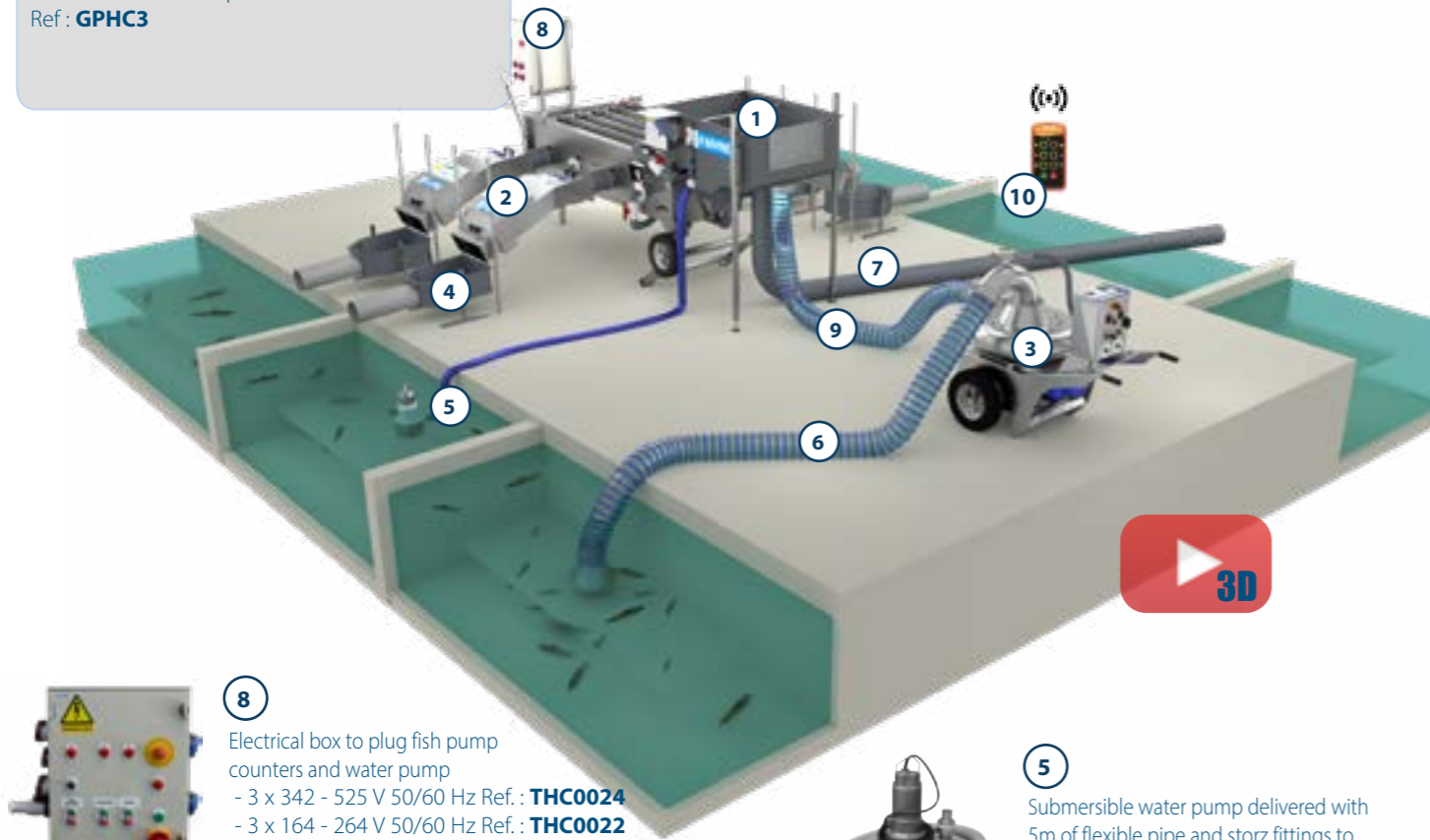
Fresh and Sea water pack
Ref : **GPHC3**



PESCAVISION
Lad fish counter

HELIOS
Live fish grader

PESCAMOTION
Propeller fish pump



8 Electrical box to plug fish pump counters and water pump
- 3 x 342 - 525 V 50/60 Hz Ref. : **THC0024**
- 3 x 164 - 264 V 50/60 Hz Ref. : **THC0022**
- 1 x 230 V 50/60 Hz Ref. : **THC004**



5 Submersible water pump delivered with 5m of flexible pipe and storz fittings to plug at the grader
Ref. : (Sea water 316L) : **TPOW30I6T5**

- Helios 300 fish grader
- 4 Pescavision 30 fish counters
- Fish pump Pescamotion 30 (Ø 150mm - 6 in)
- 4 Reception tanks outlet Ø 200 mm
- Submersible water pump 40 m³/h
- 5 m suction flexible pipes Ø 150mm (6 in)
- 5 m dewatering pipes Ø 200 mm (8 in)
- Grader Control box
- 5 m discharge flexible pipes Ø 150 mm (6 in)
- Fish pump remote control (optional)

Pescamotion 30



Specifications

Fish pump model	PESCAMOTION 30
Main drive motor	3 kW
Prime control	Frequency variator
Prime drive motor	0,3 kW
Inlet Ø	(152 mm) 6" male camlock
Outlet Ø	(152 mm) 6" male camlock
Total dynamic head	12 m - 40 ft (3m suction and 9 m discharge)
Fish weight max.	700 g Trout/Salmon
Pump speed	200 to 600 rpm
Water flow	232 m ³ /h - 1021 gpm
Reference (Fresh and sea water)	PH0602

Pescavision 10&30



Specifications

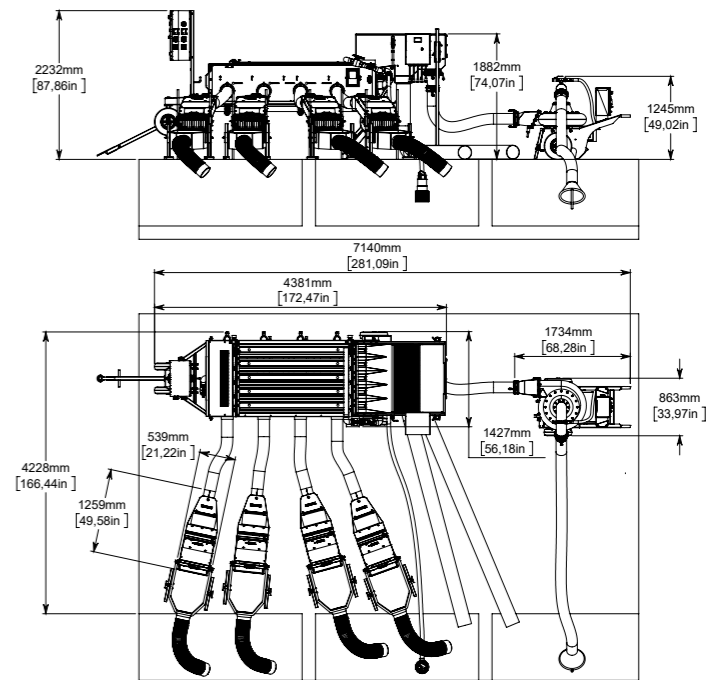
Fish counter model	PESCAVISION 10		PESCAVISION 30	
	Trout Salmon/Bass	Bream/Tilapia	Trout Salmon/Bass	Bream/Tilapia
Fish species				
Fish weight	5 g to 150	5 g to 100 g	40 g to 1 kg	40 g to 400 g
Capacity (maxi)	1,5 t/h 35.000fish/hour	1,5 t/h 35.000fish/hour	3 t/h	3 t/h
Number of channels	8	8	4	4
Channel width	50 mm	50 mm	100 mm	100 mm
Connection diameter	160 mm	160 mm	160 mm	160 mm
Accuracy	98% - 100%	98% - 100%	98% - 100%	98% - 100%
Voltage	100 - 240 V/24 V		100 - 240 V/24 V	
Reference (Fresh and sea water)	PESCA10		PESCA30	

Helios 300



Specifications

Grader model	HELIOS 300
Nbr of channels	5
Nbr of size	4
Length of grading channels(mm)	2000
Max. channels opening (mm)	42
Nbr of outlets Ø (mm)	8 x Ø160
Weight min. - max. (Trout/Salmon)	5 g - 800 g
Weight min. - max. (Tilapia/Bream/Bass)	5 g - 400 g
Hourly rate (tons/hour)	3 - 5
Height (m)	1,5
Advice pump flow (m ³ /h)	40
Reference (Sea water 316L)	TH3056



Power ratings and weights summary

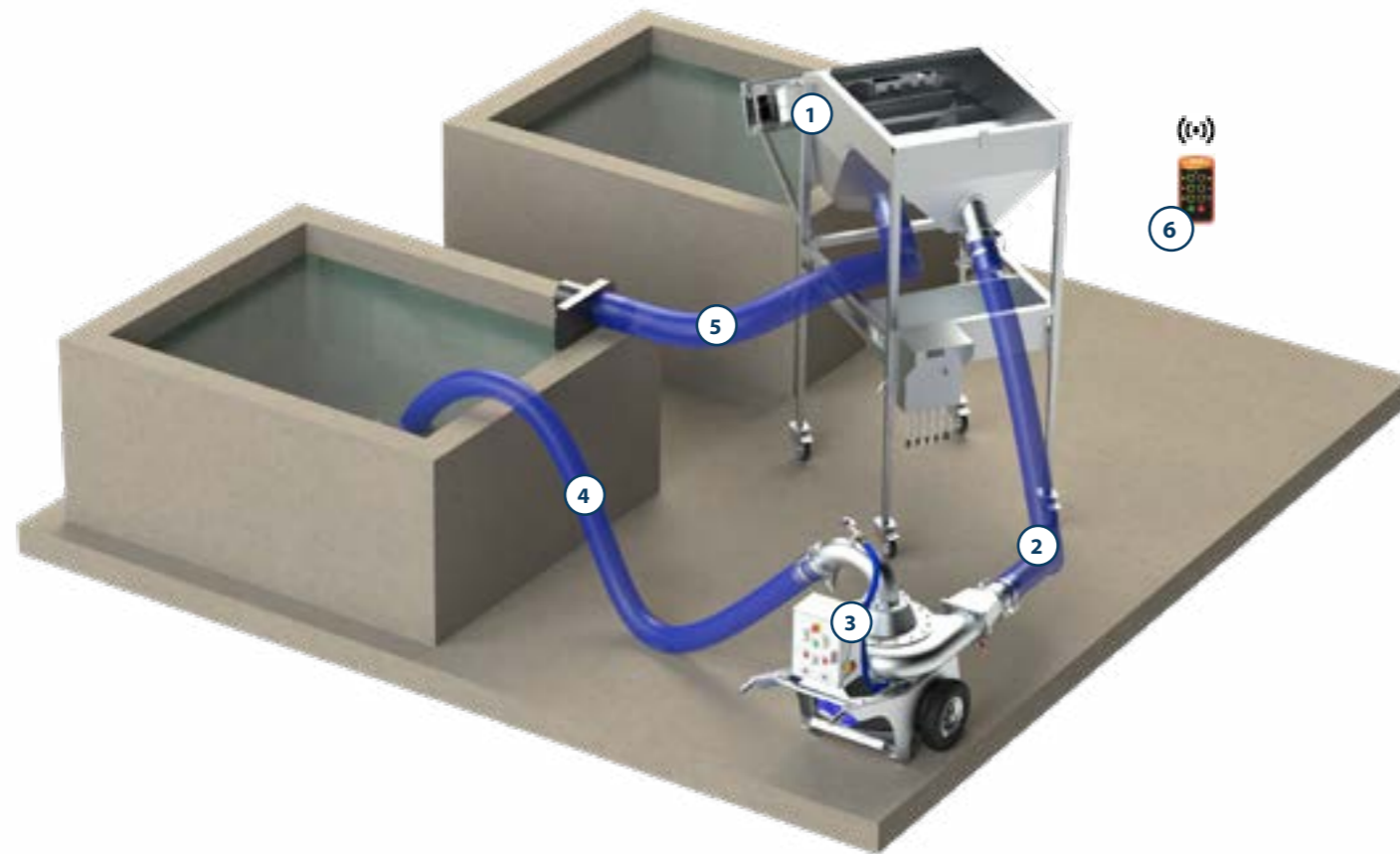
Machines	Power	Weight
Helios fish grader 300	0,37 kW	620 kg - 1366 lbs
Fish pump Pescamotion 30	3 kW	202 kg - 445 lbs
Fish counter (one unit)	0,05 kW	24 kg - 53 lbs
Water pump 30 m ³ /h	0,75 kW	20 kg - 44 lbs

All packs are given as an example and can be modified according to the customer needs

Transfer Pack

Up to 6 - 9 tons/hour
- 1 Pescamotion 30 fish pump (3 g - 700 g)
- 1 Pescavision 300 fish counter (40 g - 1 kg)

Fresh and Sea water pack
Ref : **GPTL3**



- ① Pescavision 300 fish counter
- ② 5 m discharge flexible pipes Ø 150 mm (6 in)
- ③ Fish pump Pescamotion 30 (Ø 150mm - 6 in)
- ④ 5 m suction flexible pipes Ø 150mm (6 in)
- ⑤ 5 m dewatering pipes Ø 200 mm (8 in)
- ⑥ Fish pump remote control (optional)

Pescamotion 30



Specifications

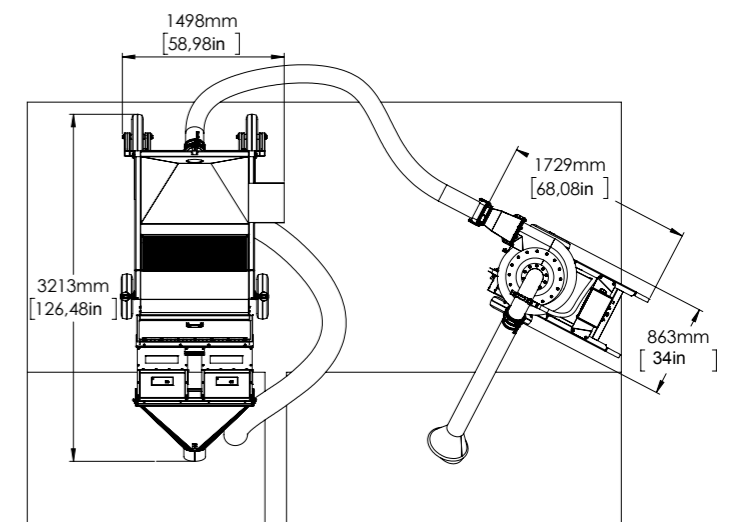
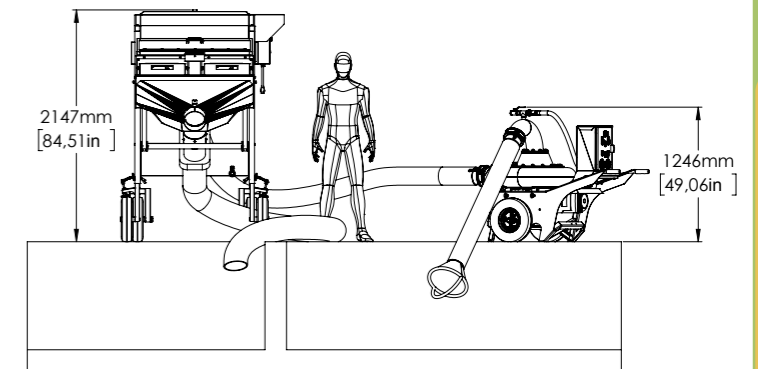
Fish pump model	PESCAMOTION 30
Main drive motor	3 kW
Prime control	Frequency variator
Prime drive motor	0,3 kW
Inlet Ø	(152 mm) 6" male camlock
Outlet Ø	(152 mm) 6" male camlock
Total dynamic head	12 m - 40 ft (3m suction and 9 m discharge)
Fish weight max.	700 g Trout/Salmon
Pump speed	200 to 600 rpm
Water flow	232 m ³ /h - 1021 gpm
Reference (Fresh and sea water)	PH0602

Pescavision 300



Specifications





Fish counter model	PESCAVISION 300	
Fish species	Trout Salmon	Bass/Bream/Tilapia/Carps/Perch
Fish weight	40 g to 1kg	40 g to 400 g
Capacity (maxi)	9 t/h	
Number of channels	8	
Channel width	100 mm	
Connection diameter	6" male camlock (150 mm)	
Accuracy	98 % - 100 %	
Weight	150 kg - 330 lbs	
Voltage	Delivery with 110 - 240 V/24 V power supply	
Reference (Fresh and sea water)	PESVIS300	



All packs are given as an example and can be modified according to the customer needs

40

Series Grow out Equipment

- **Salmon / Trout**  40 g to 1500 g
- **Tilapia**  40 g to 800 g
- **Sea Bream**  40 g to 800 g
- **Sea Bass**  40 g to 800 g



● Pescamotion 40
Page 73



● Helios 40 / 400
Page 79



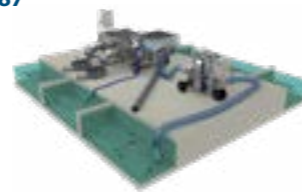
● Heliovision 40
Page 87



● Pescavision 40
Page 92



● Pack Standard 40
Page 98



● Pack High Capacity 40
Page 100

PESCAMOTION

Propeller fish pump



8"

Fish Pump

2,5"

Series

10

Series

30

Series

40

Series

50

Series

60

A new 8" (200 mm) fish pump that is light-weight, convenient, and with better performance.

Pescamotion 40

Ideal for supplying a grader, for transferring Fish to a tank or loading lorries.

The Pescamotion 40 pump can easily be adapted to every situation.

Premium performance :

- Up to 1500 g (Trout Salmon)
- Up to 800 g (Sea Bass and Sea Bream)
- Up to 11 m total dynamic head.

Key benefits :

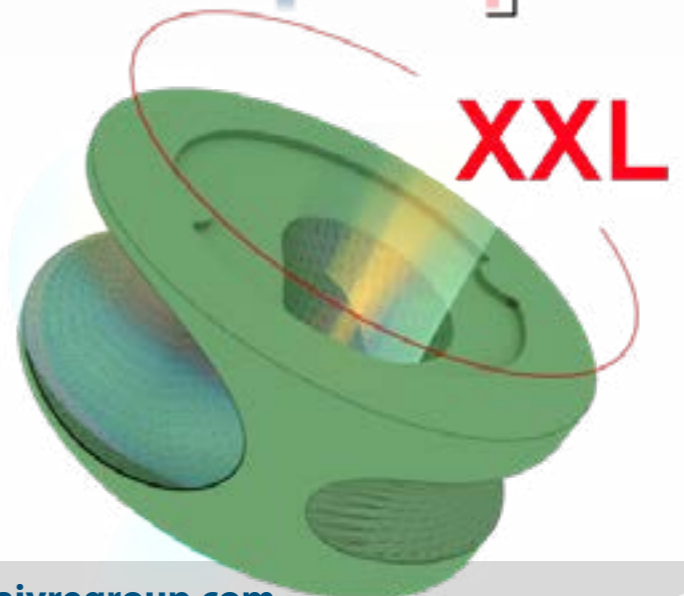
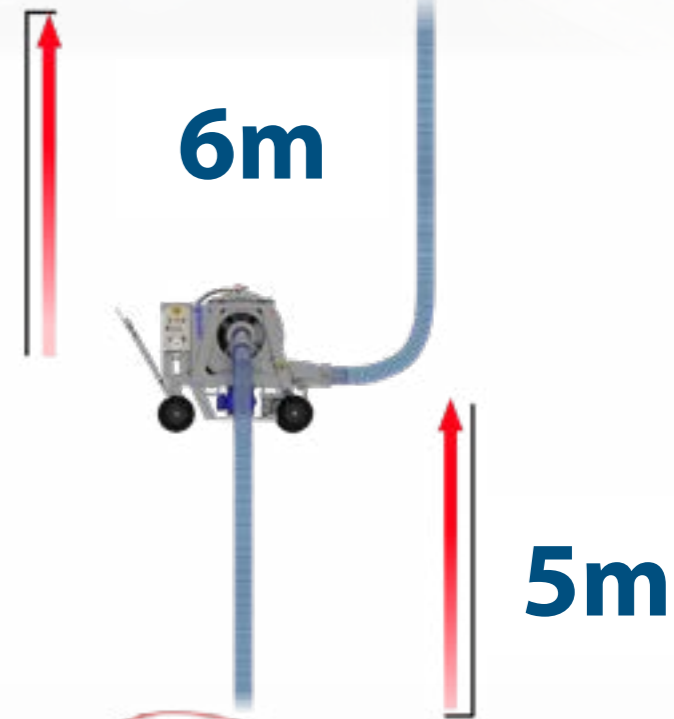
- ✓ High capacity, up to 25 tons/hour
- ✓ For fish up to 1,5 kg on average weight (Salmonids)
- ✓ Total dynamic head : 12 m
- ✓ Light and handy : 502 kg - 440 lbs
- ✓ Remote control as option (200 m - 650 ft)
- ✓ New "Auto stop" priming system
- ✓ Free maintenance with "Belt drive system" pump
- ✓ Pump housing in Stainless steel 316L (ready to use in sea water)

Warning : The pump performance may vary according to the height and weight of the fish.

The pump is delivered as standard with two 8" female Cam lock units and suction cone

Electrical box central fitted with a frequency converter to control the pump speed.

Optimized by powerful digital simulation tools, the performance of the Pescamotion 40 matches its exceptional design. Its 12 m total dynamic head allows its easy adaptation to every situation. Available in 11 kW power, it can transport your fish over long distances (> 1 km with its 11 kW motor).



Fish Pump

10 Series 2,5"

30 Series 6"

40 Series 6-8"

50 Series 8"

60 Series 8-10"

Range Products ▲
Summary ▲

- ① Electrical box with speed variator
- ② AISI 316L Stainless steel Adjustable suction elbow (8 in - 200 mm male camlock) intake pipe
- ③ Main pump motor
- ④ AISI 316L Stainless steel pump housing
- ⑤ AISI 316L Stainless steel frame
- ⑥ AISI 316L stainless steel pump outlet valve
- ⑦ Ø 200 mm (8 in - 200 mm male camlock)
- ⑧ Wheel Ø400mm
- ⑨ Hand break
- ⑩ Forklift handle system



Description

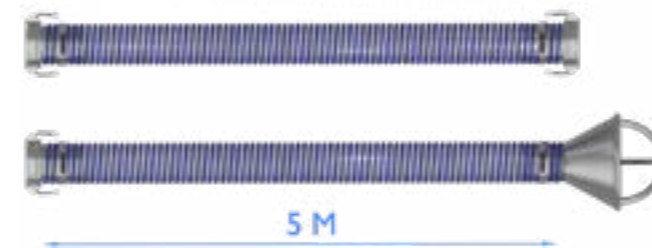
OPTIONS

Remote control

200 meters IP67 remote control, supplied as an option. Allows a full control of the pump (stop / start, pump priming, pump motor, and speed control) Belt clip and docking station included Ref. : **PH00REM2**



Kit starter Pack 8"



(5m Inlet / 5m Outlet) cam-lock MF and Suction cone - kits of 2x5 meters of 8" flexible pipes Ref. : **PP0801P**

Semi - transparent, flexible hoses

Ø 6" (Ø 150 mm) hoses with male and female cam lock mounted at each end of the hose Ref. : **PP0603FM** long. 5 m Ref. : **PP0604FM** long. 10 m



Ø 8" (Ø 200 mm) hoses with male and female cam lock mounted at each end of the hose Ref. : **PP0803FM** long. 5 m Ref. : **PP0804FM** long. 10 m



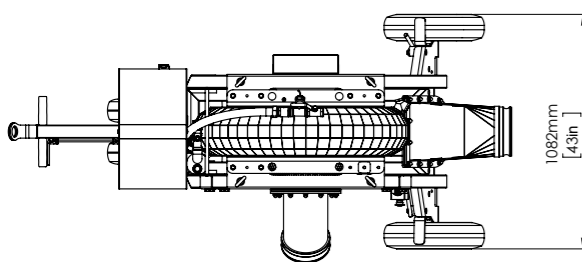
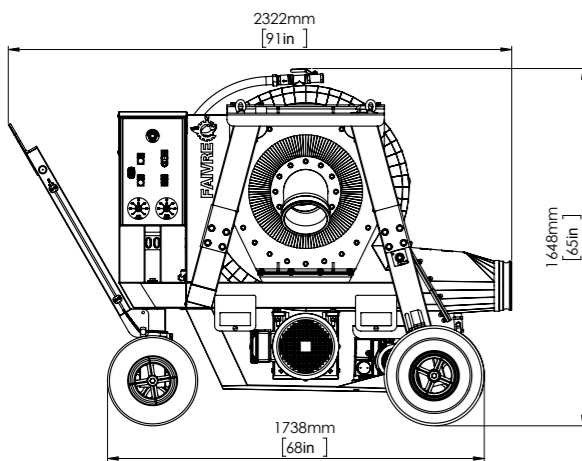
Option parts for fish pump



OPTION PARTS FOR FISH PUMP 8"

- Cam lock male (Aluminum) Ref. : **CLEA200**
- Cam lock female (Aluminum) Ref. : **CLCA200**
- 8" Suction cone Ref. : **PH080808M**

Specifications



Model	PESCAMOTION 40
Main drive motor	11 kW
Main drive motor control	Frequency variator
Prime drive motor	1,1 kW
Inlet Ø	(203 mm) 8 in male cam lock
Outlet Ø	(203 mm) 8 in male cam lock
Total dynamic head	11 m - 36 ft
Fish weight max.	1500 g Trout/Salmon
Fish weight max.	800 g Bass/Bream
Pump speed	100 to 390 rpm
Water flow max. (390 rpm, 1m vertical head discharge)	550 m ³ /h
Weight	502 kg - 1100 lbs
Reference 3 x 380 - 480 V 50/60 Hz	PH0803
Reference 3 x 200 - 240 V 50/60 Hz	PH0804

• **OPTIONS**

Adapter cam lock 8" to 6"



A 6" reduction on the inlet and outlet of the pump enables its adaptation to every situation.
Ref. : **PH061111**

6" (150 mm) male



8" (203 mm) female

Dewatering hopper Dewat 40 (8")

The Dewat 40 (10mm grid as standard and 5mm as option) suitable for the Pescamotion 40 or Pescavac 50 pump and the Helios 40 or 50 grader.
Delivered with Ø200mm slide gate valve and 2m flexible pipe.
Ref. : **TD0801**



HELIOS

Live fish grader



• Helios 40



• Helios 400

Fish Grader

2,5"

10 Series

30 Series

6"

40 Series

6-8"

50 Series

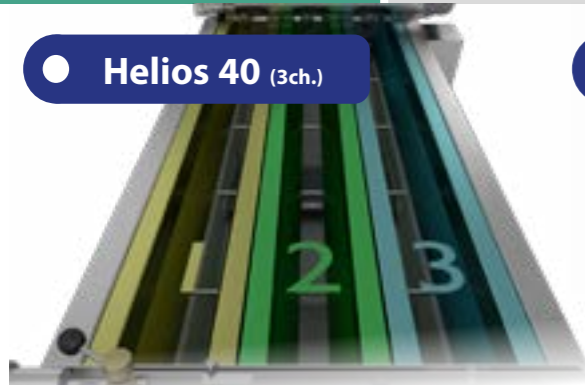
8"

60 Series

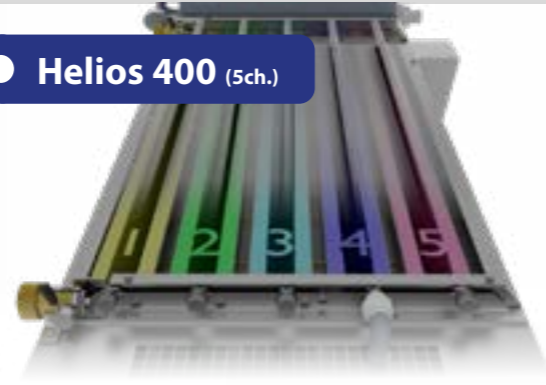
8-10"

Summary ▲ Range Products ▲

● **Helios 40 (3ch.)**



● **Helios 400 (5ch.)**



HELIOS 40 - 400 grader

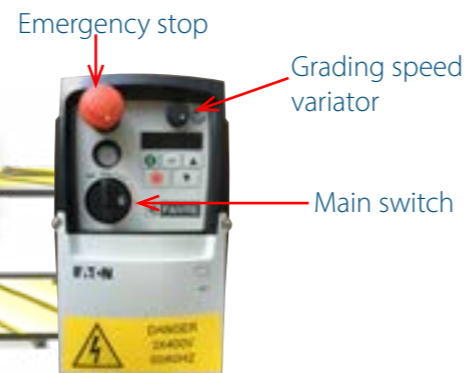
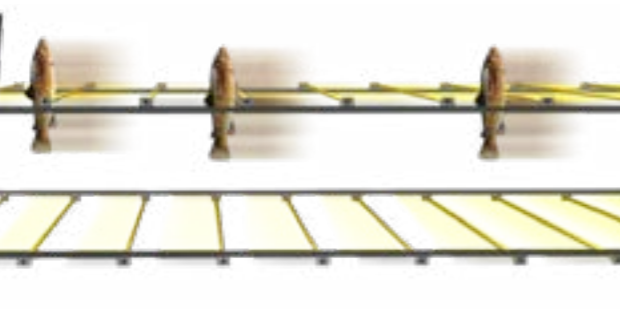
5g - 1,5 kg
3 or 5 channels
4 sizes

General characteristics :

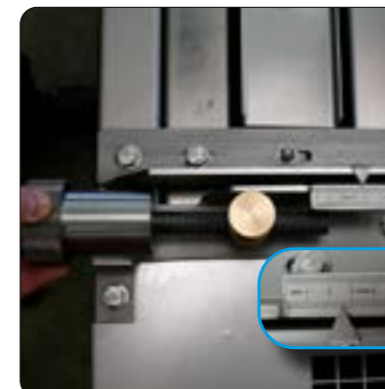
- 3 grading channels Helios 40.
- 5 grading channels Helios 400.
- 4 receipt hoppers with outlet on each side of the machine.
- Electronic adjustable grading speed
- Lifting jack.
- Made of aluminium AISI 316L Stainless steel.

Main advantages :

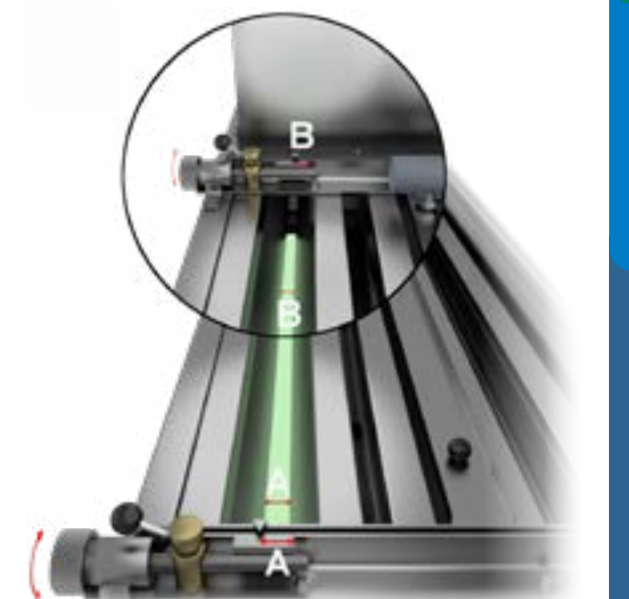
- ✓ A grader fitted with the performing Sps Technology made for a high speed
- ✓ grading and without injury.
- ✓ A machine entirely made of aluminium and Stainless steel.
- ✓ An easy and perfect adjustment thanks to its lifting jack.
- ✓ An elaborate watering system fitted with adjustment gates.



Fish grader IP 67 electric panel.

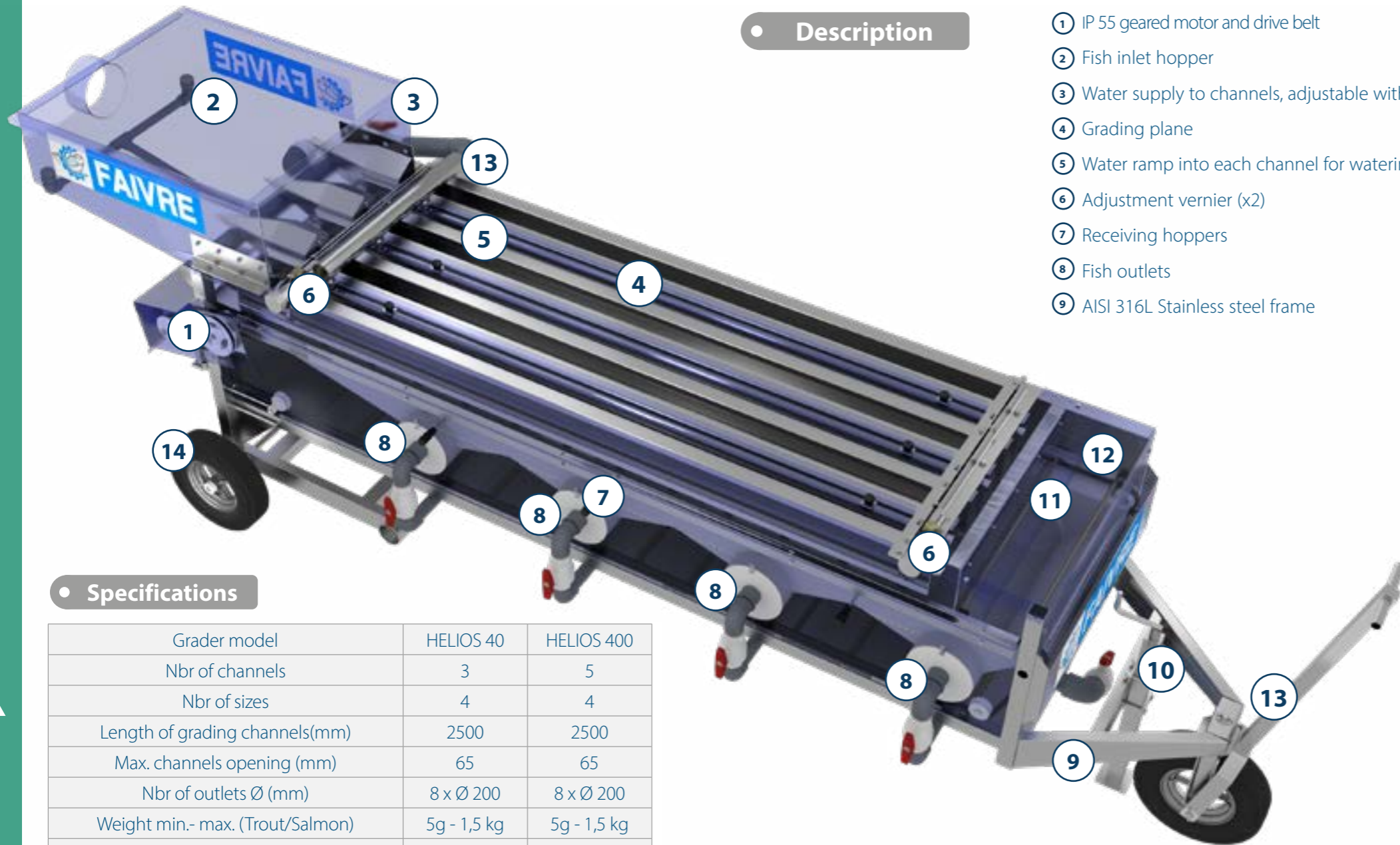


Accurate adjustment vernier.



Description

- ① IP 55 geared motor and drive belt
- ② Fish inlet hopper
- ③ Water supply to channels, adjustable with a valve
- ④ Grading plane
- ⑤ Water ramp into each channel for watering fish
- ⑥ Adjustment vernier (x2)
- ⑦ Receiving hoppers
- ⑧ Fish outlets
- ⑨ AISI 316L Stainless steel frame
- ⑩ Front lifting jack
- ⑪ Stainless steel conveying finger drive chain
- ⑫ Fish conveying fingers
- ⑬ Towbar
- ⑭ Inflatable tires Ø 400 mm (16in)



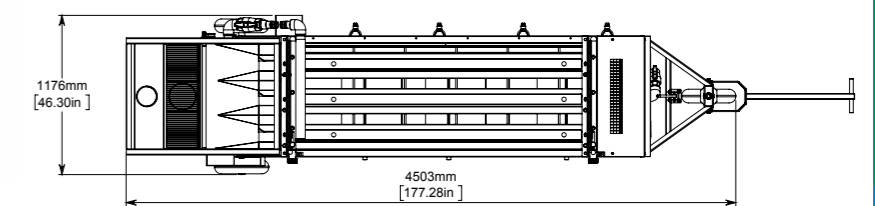
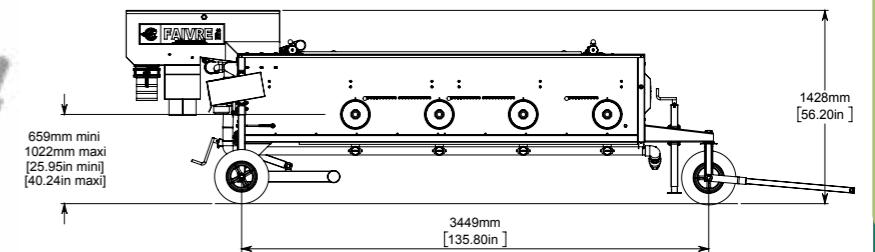
Specifications

Grader model	HELIOS 40	HELIOS 400
Nbr of channels	3	5
Nbr of sizes	4	4
Length of grading channels(mm)	2500	2500
Max. channels opening (mm)	65	65
Nbr of outlets Ø (mm)	8 x Ø 200	8 x Ø 200
Weight min.- max. (Trout/Salmon)	5g - 1,5 kg	5g - 1,5 kg
Weight min. - max. (Bass/Bream/Tilapia)	5 g - 800 g	5 g - 800 g
Hourly rate (tonnes/hour)	3 - 5	4 - 6
Grader weight (kg)	480	520
Height (m)	1,4	1,5
Motor power	0,37 kW	0,55 kW
Advice pump flow (m3/h)	40	50
Reference (Sea water 316L)	TH4036	TH4056

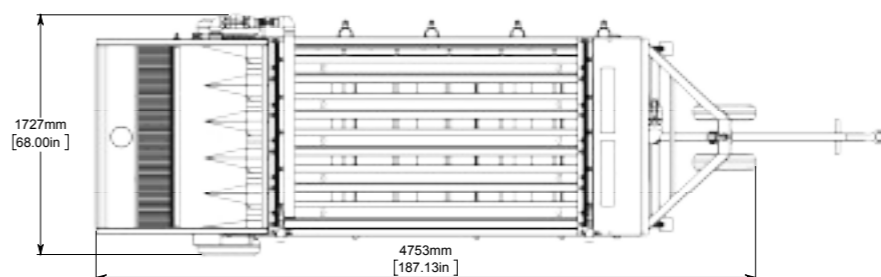
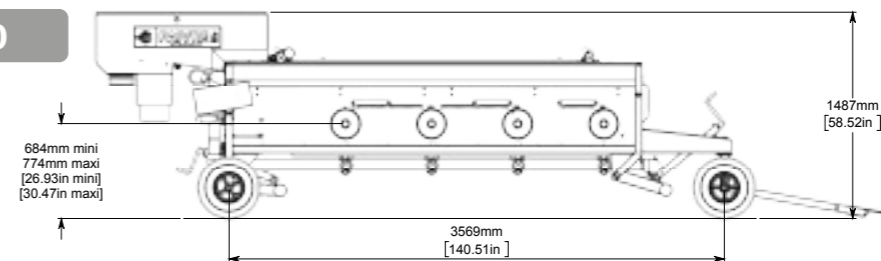
The grader motors are available in 4 supply voltages (add the desired voltage reference to the grader reference for your requests):

- Three phases 342 - 528 V 50/60 Hz Ref. : **400T**
- Three phases 180 - 264 V 50/60 Hz Ref. : **230T**
- Single phase 180 - 264 V 50/60 Hz Ref. : **230M**
- Single phase 110 V 50/60 Hz Ref. : **110M**

Helios 40



Helios 400



OPTIONS

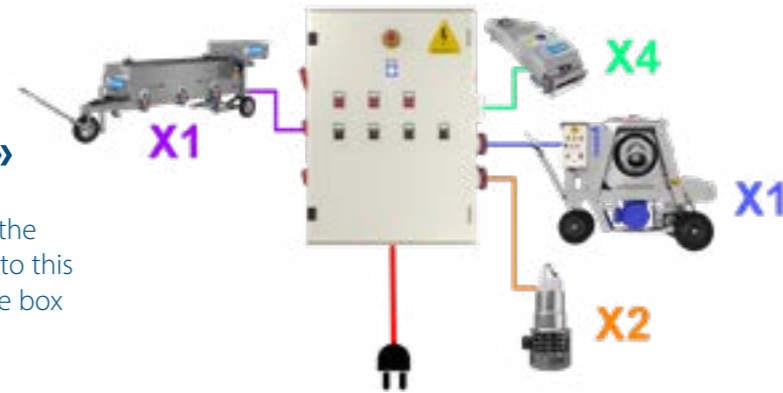
Control box «Packcontrol»

This option considerably reduces the cables left on the ground. Each equipment can be directly connected to this electrical cabinet, which is attached to the sorter. The box allows you to connect and control:

- 1 grader
- 2 water pumps
- 1 fish pump
- 4 counters.

The front panel switches allow each device to be turned on or turned off separately. Thermal circuit breakers ensure the protection of each piece of equipment. A differential switch protects the operators.

- Ref. :
- 3 x 342 - 525V 50/60 Hz inlet voltage Ref. : **THC0024**
 - 3 x 164 - 264V 50/60 Hz inlet voltage Ref. : **THC0022**
 - 1 x 230v 50/60 Hz inlet voltage Ref. : **THC004***
- * water pump max. 2,2kW with a single phase



Universal dewatering hopper

This universal dewatering hopper allows you to connect a Pescavac pump or an elevator or a Pescamotion pump.

- For Helios 40 grader :
- Ø fish pump pipe 8"
- Ref. : **TH403DEWU**

- For Helios 400 grader :
- Ø fish pump pipe 8"
- Ref. : **TH405DEWU**



Water pump for grader

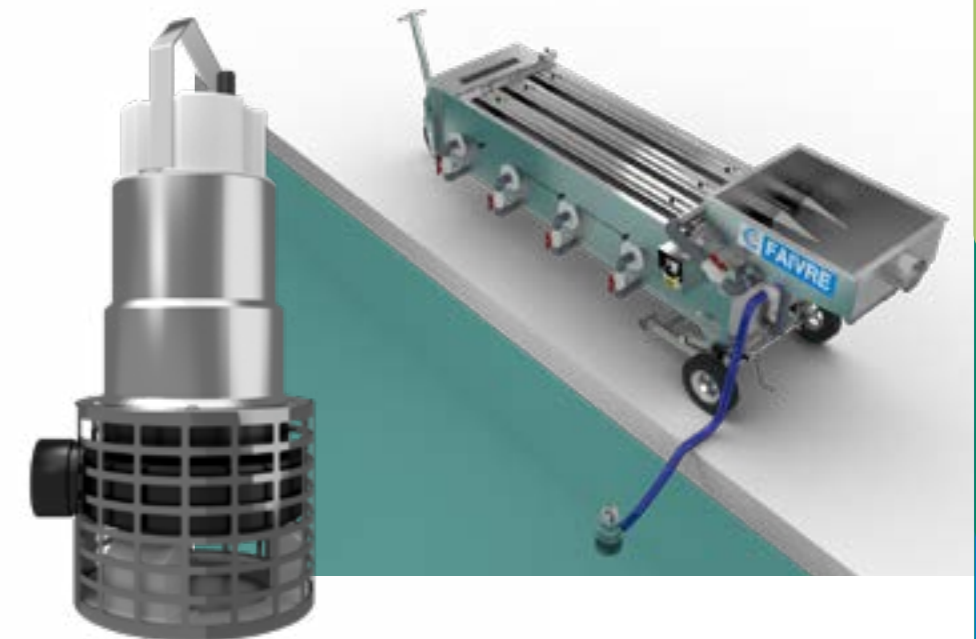
A suitable water pump must be connected to the grader in order to grade the fish without damage. We can offer you a Stainless steel submersible pump adapted to your machine. This pump has a Stainless steel strainer to suck the fish, it is delivered with 2.5m flexible hose and fittings, adapted to the grader.

- For Helios 40 grader
- Pump flow 40 m³/h supply voltage 1 x 230 V 50 Hz Ref. : **TPOW4016M5**
 - Pump flow 40 m³/h supply voltage 3 x 400 V 50 Hz Ref. : **TPOW4016T5**

- For Helios 400 grader
- Pump flow 50 m³/h supply voltage 3 x 400 V 50 Hz Ref. : **TPOW5016T5**

- Accessories
- 5 m flexible hose Ø 60 mm (2,5 ") and storz fitting plus 90 ° Stainless steel elbow to connect the pump to the grader Ref. : **TPOHLINK60**

60 Hz pump on request



Adapters :

The inlet of the dewatering hopper of the graders is an 8" (200 mm) male cam lock. If you want to connect a 6" or 10" hose to this hopper, you need an adapter.

- To connect a 6" (150 mm) pipe to the dewatering hopper Helios 40 - 400
- 8" female to 6" male aluminum reduction Ref. : **PH061111**

- To connect a 10" (250mm) pipe to the dewatering hopper Helios 40 - 400
- 10" female to 8" male aluminum reduction Ref. : **PI100101**



HELIOVISION

Fish grader



Grader / Counter

2,5"

10 Series

6"

30 Series

6-8"

40 Series

8"

50 Series

8-10"

60 Series

A new grader concept.
Boost your efficiency with the Heliovision grader !

HELIOVISION
Fish grader

Heliovision		00 : 00 : 30
C1	0000235	C2 0000243
C3	0000238	Total 0000716
Quit		View history View settings

Easy to use !
Large touch screen and a counter display.
All informations in only one display :

- Number of fish for each counter
- Total number of fish
- History of the 5 last counting sessions
- Counting time



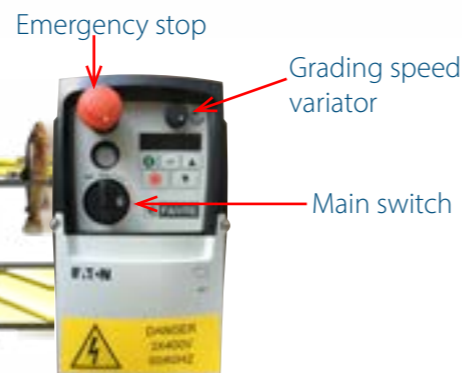
Heliovision 40

50 g - 1,5 kg
Three channels
Three grades
Three counters

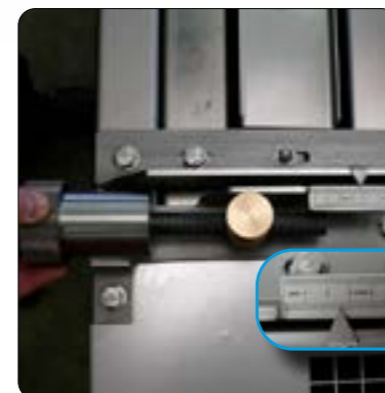
Designed for Trout and Salmon up to 1,5 kg; Tilapia, Bass and Sea Bream up to 800 g.
Large grading capacity, while offering high precision.

3 Possible configurations :

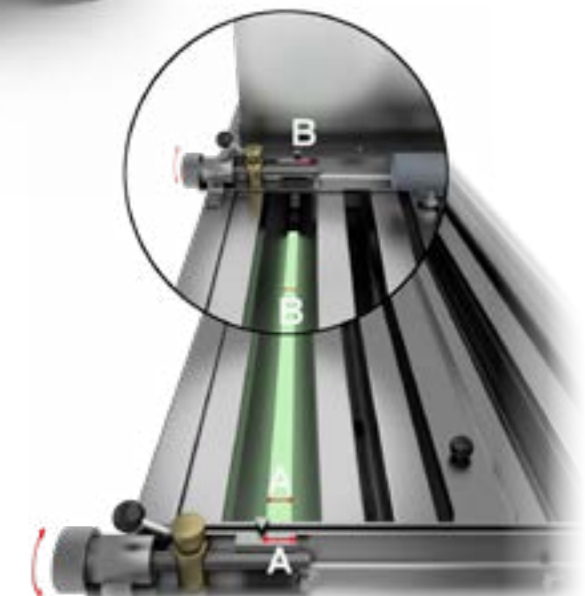
- 3 Pescavison 30
Ref. : **TC40304**
- 2 Pescavison 30 and 1 Pescavison 50
Ref. : **TC40214**
- 1 Pescavison 30 and 2 Pescavison 50
Ref. : **TC40124**



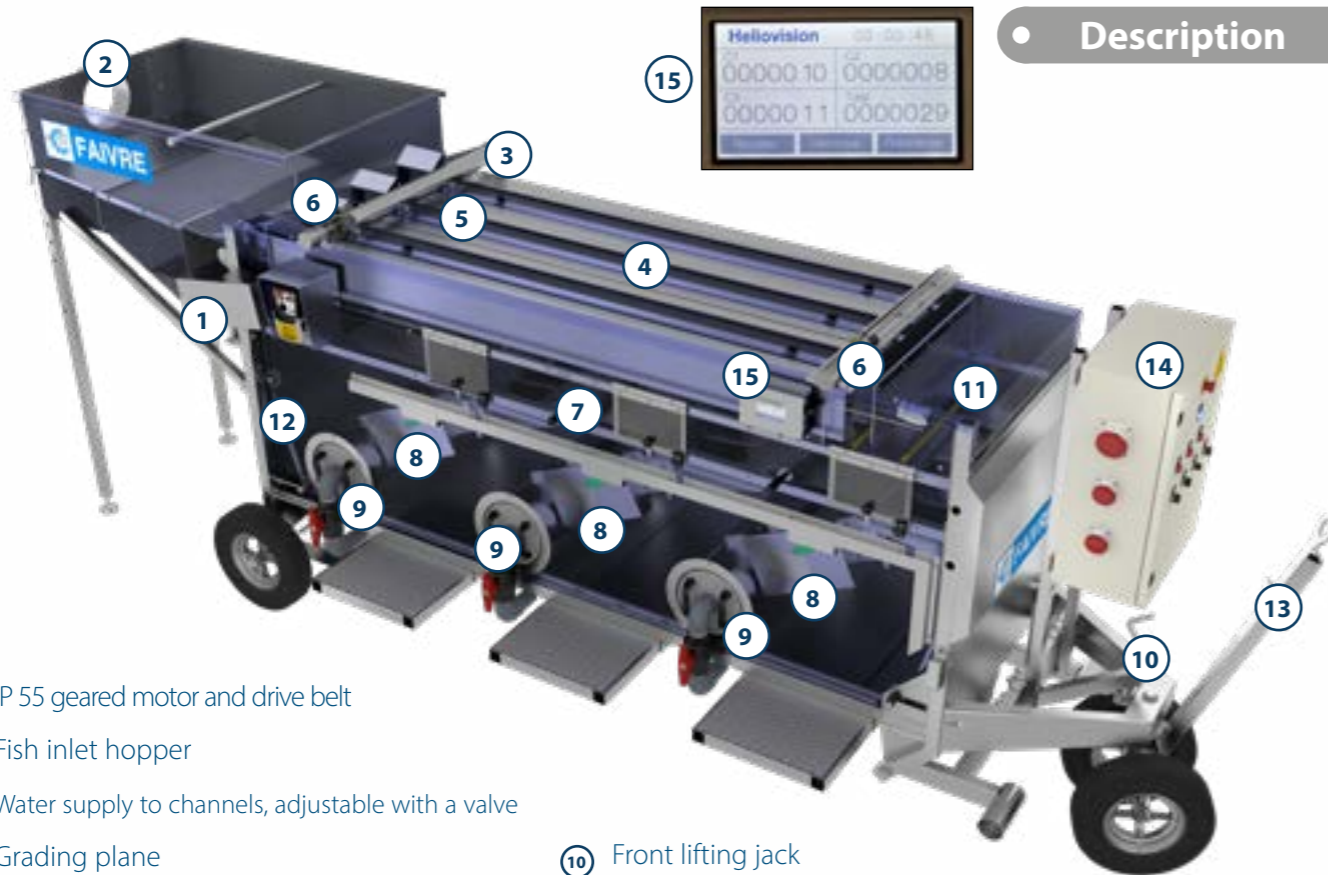
Fish grader IP 67 electric panel.



Accurate adjustment vernier.



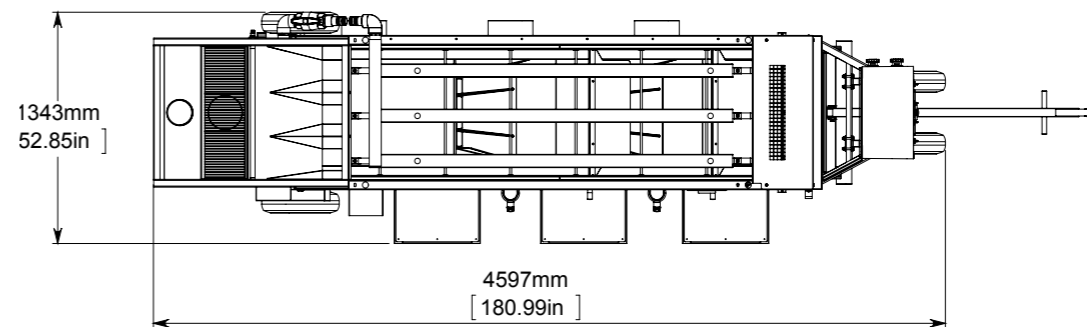
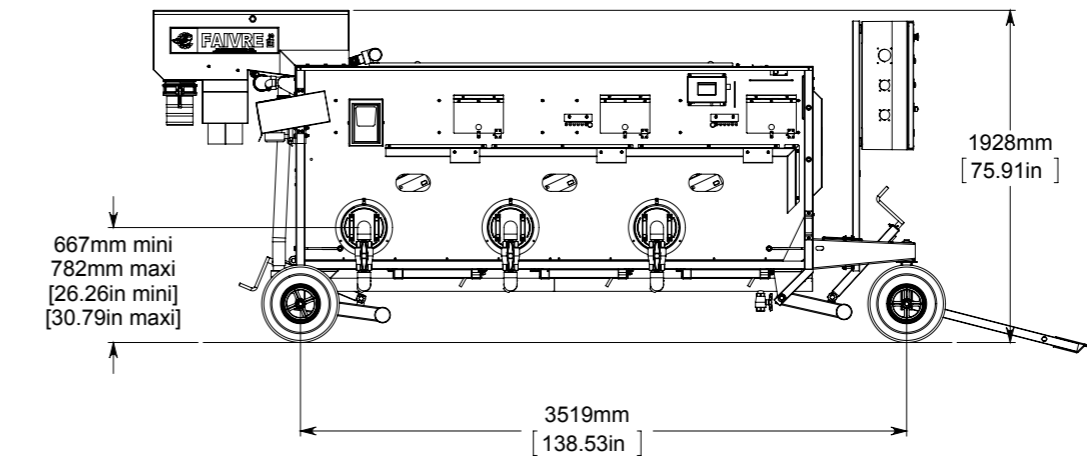
Grader / Counter
2,5"
10 Series
6"
30 Series
6-8"
40 Series
8"
50 Series
8-10"
60 Series



Description

- ① IP 55 geared motor and drive belt
- ② Fish inlet hopper
- ③ Water supply to channels, adjustable with a valve
- ④ Grading plane
- ⑤ Water ramp into each channel for watering fish
- ⑥ Channel adjustment vernier (x2)
- ⑦ Receiving hoppers
- ⑧ Fish counters
- ⑨ Fish outlets
- ⑩ Front lifting jack
- ⑪ Fish conveying fingers
- ⑫ Conveying finger drive chain
- ⑬ Towbar
- ⑭ Control box
- ⑮ Fish counters touch screen display

Specifications



Grader model	HELIOVISION 40		
Counters configuration	3 Pescavision 30	2 Pescavision 30 1 Pescavision 50	1 Pescavision 30 2 Pescavision 50
Number of channels	3	3	3
Number of grades	3	3	3
Number of counters (Pescavision 30 or 50)	3	3	3
Channel length (mm)	2500	2500	2500
Max. channel opening (mm)	65	65	65
Number of exits and Ø (mm)	6 x Ø 250	6 x Ø 250	6 x Ø 250
Min. max. weight (Trout/Salmon)	40 g - 1 kg	40 g - 1,5 kg	40 g - 1,5 kg
Hourly rate (tons/hour)	3 - 6	3 - 6	3 - 6
Weight (kg)	580	580	580
Weight (Lbs)	1278	1278	1278
Motor power	0.37 kW	0.37 kW	0.37 kW
References	TC40304	TC40214	TC40124

PESCAVISION

Led fish counter

● Pescavision 40

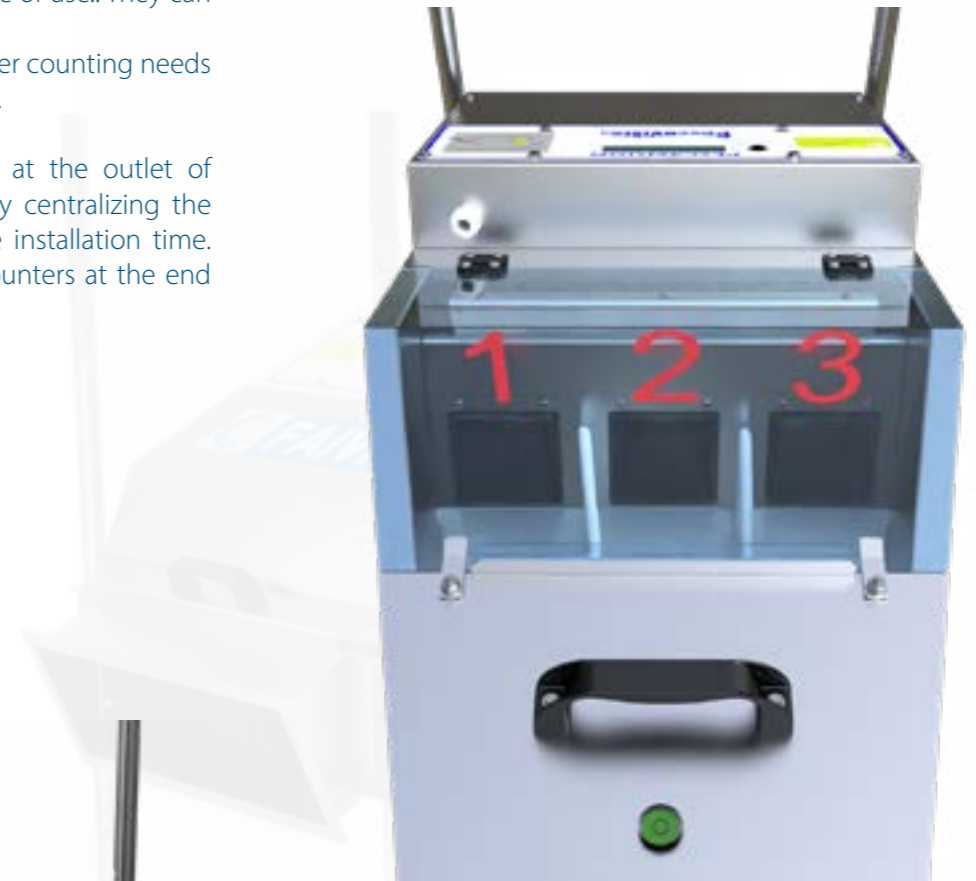
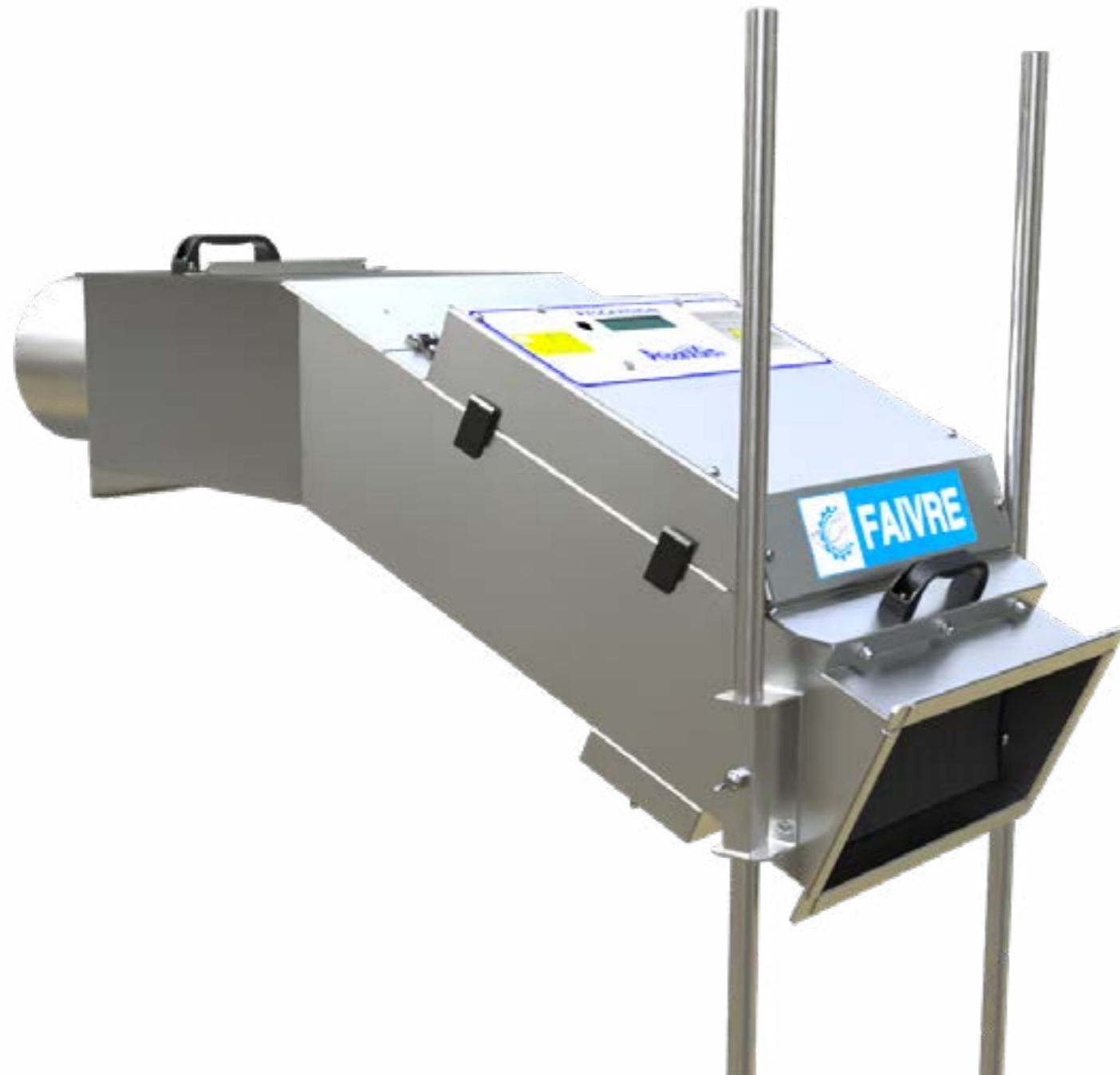
Fish counters for counting Fish weight 40 g to 1,5 kg

They offer an unparalleled ease of use.. They can be installed very quickly.
The Pescavision 40 model cover counting needs extending from 50 g to 1,5 kg.

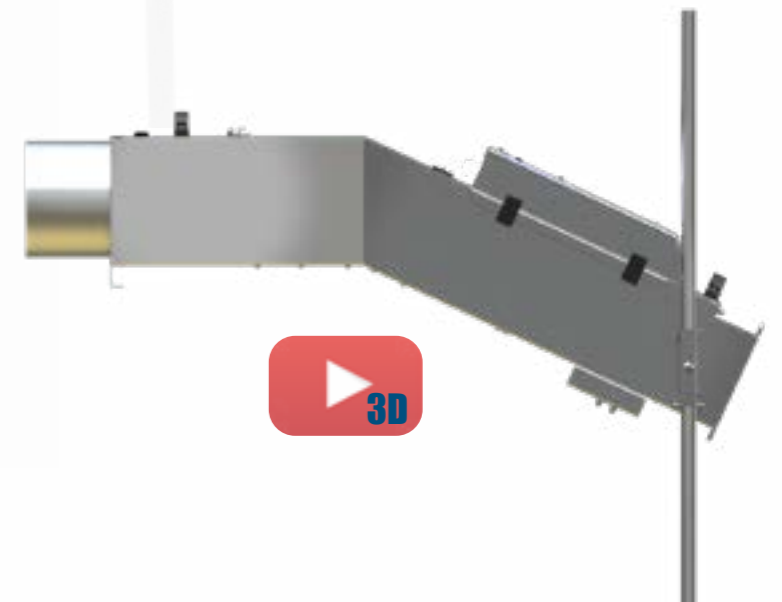
It is designed to be placed at the outlet of the grading machine, thereby centralizing the equipment and reducing the installation time. With this system, no more counters at the end of the pipes.

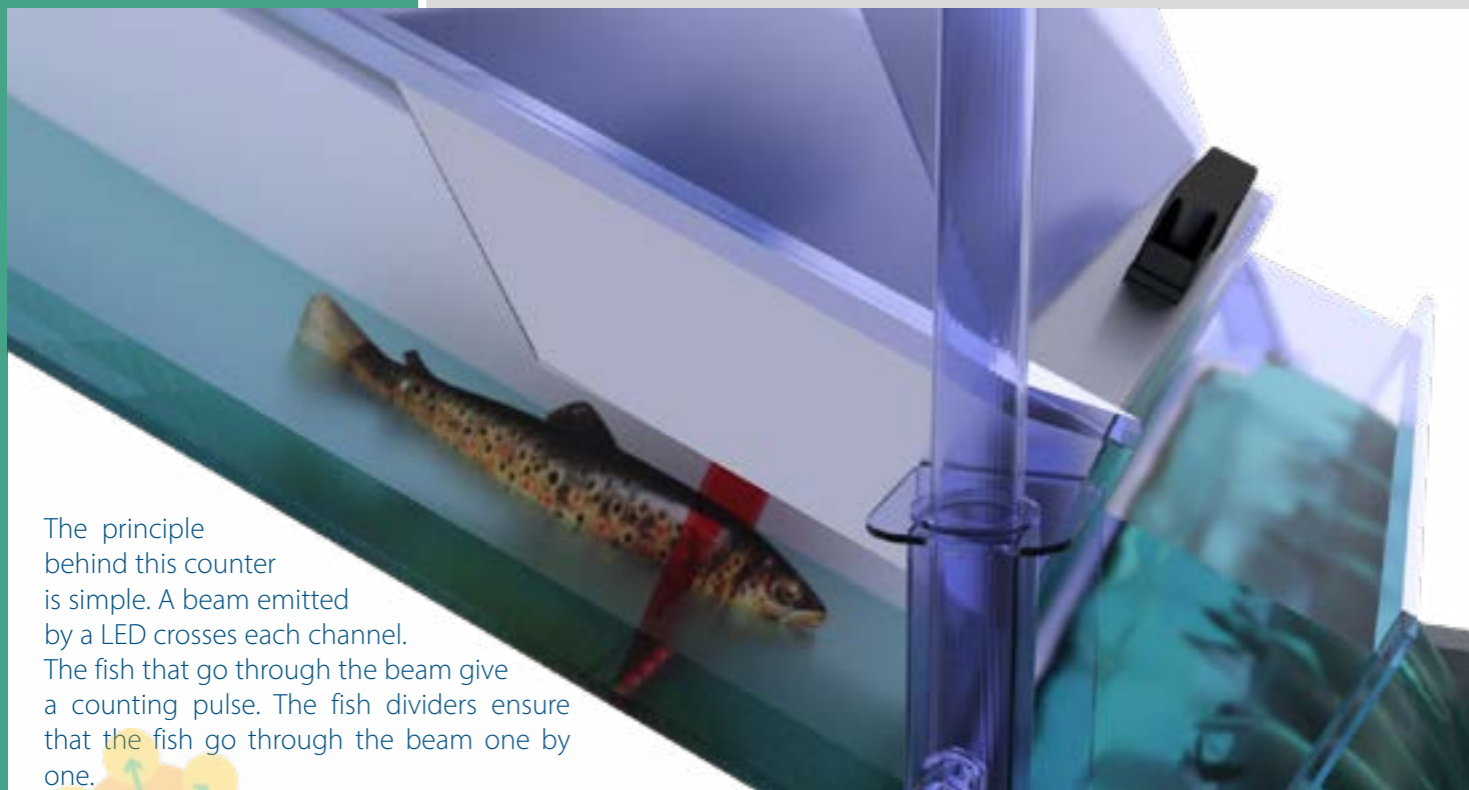
Our Pescavision count many fish species such as:

- Trout
- Salmon
- Tilapia
- Carps
- Perch
- Sea Bass
- Sea Bream
- Etc...

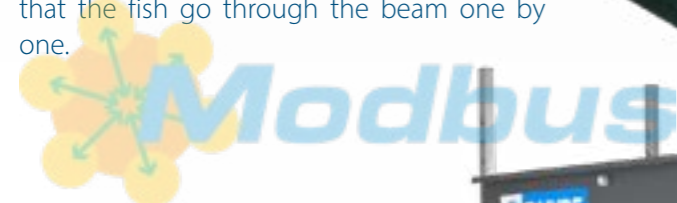


The Pescavision 40 as 3 counting channels



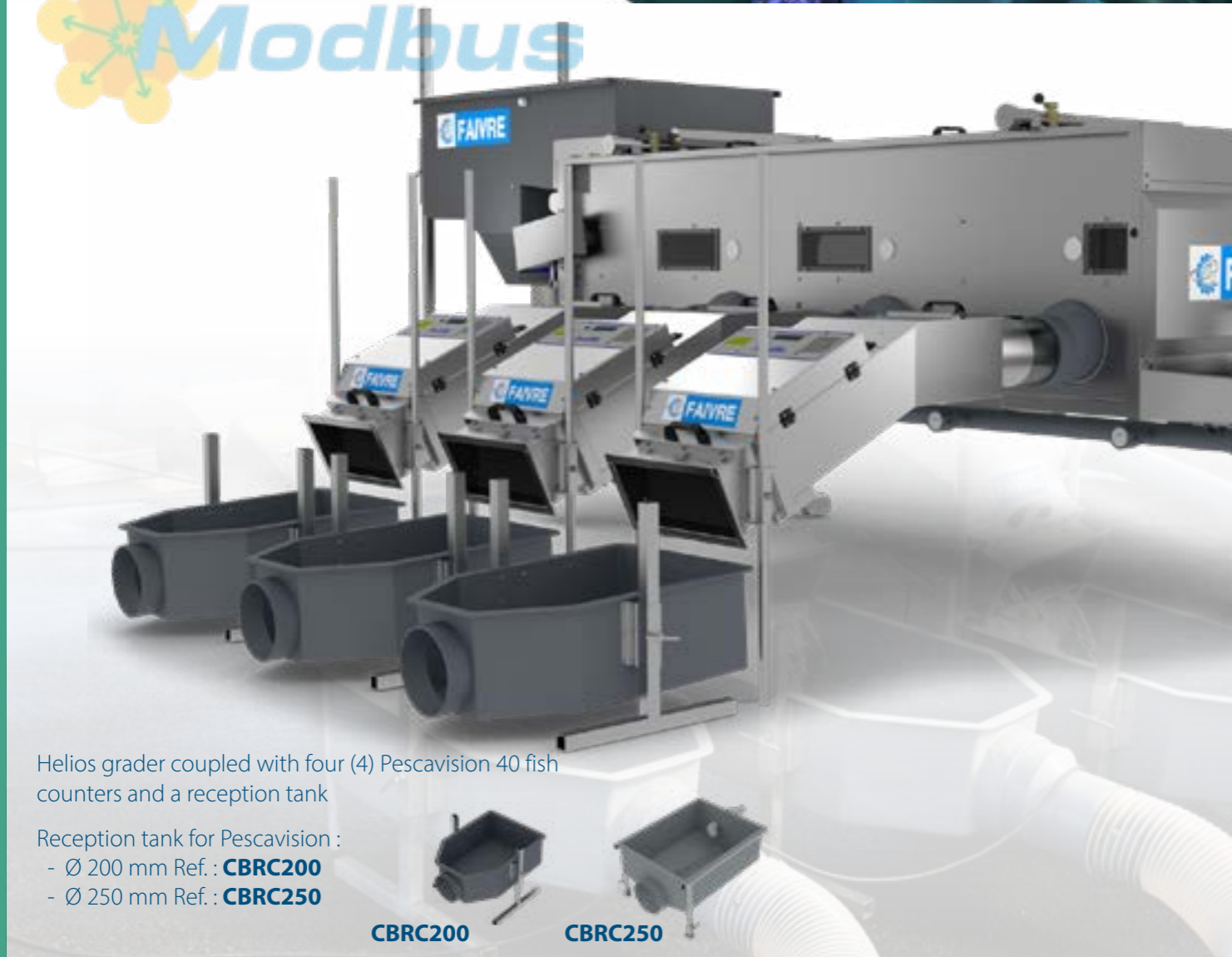


The principle behind this counter is simple. A beam emitted by a LED crosses each channel. The fish that go through the beam give a counting pulse. The fish dividers ensure that the fish go through the beam one by one.



Easy to install on the farm with our new counting station with four (4) Pescavision fish counters and a reception tank.
Ref. : **PESCATROL** (see page 164)

A NEW optional control box to centralize counting information up to 4 fish counters
Ref. : **PESCA4CO**



Helios grader coupled with four (4) Pescavision 40 fish counters and a reception tank

Reception tank for Pescavision :
- Ø 200 mm Ref. : **CBRC200**
- Ø 250 mm Ref. : **CBRC250**

CBRC200

CBRC250



Easy to use !
Large touch screen counter display.
All information in a single display:
- Number of fish for each counter
- Total number of fish
- History of the 5 last counting sessions
- Counting time

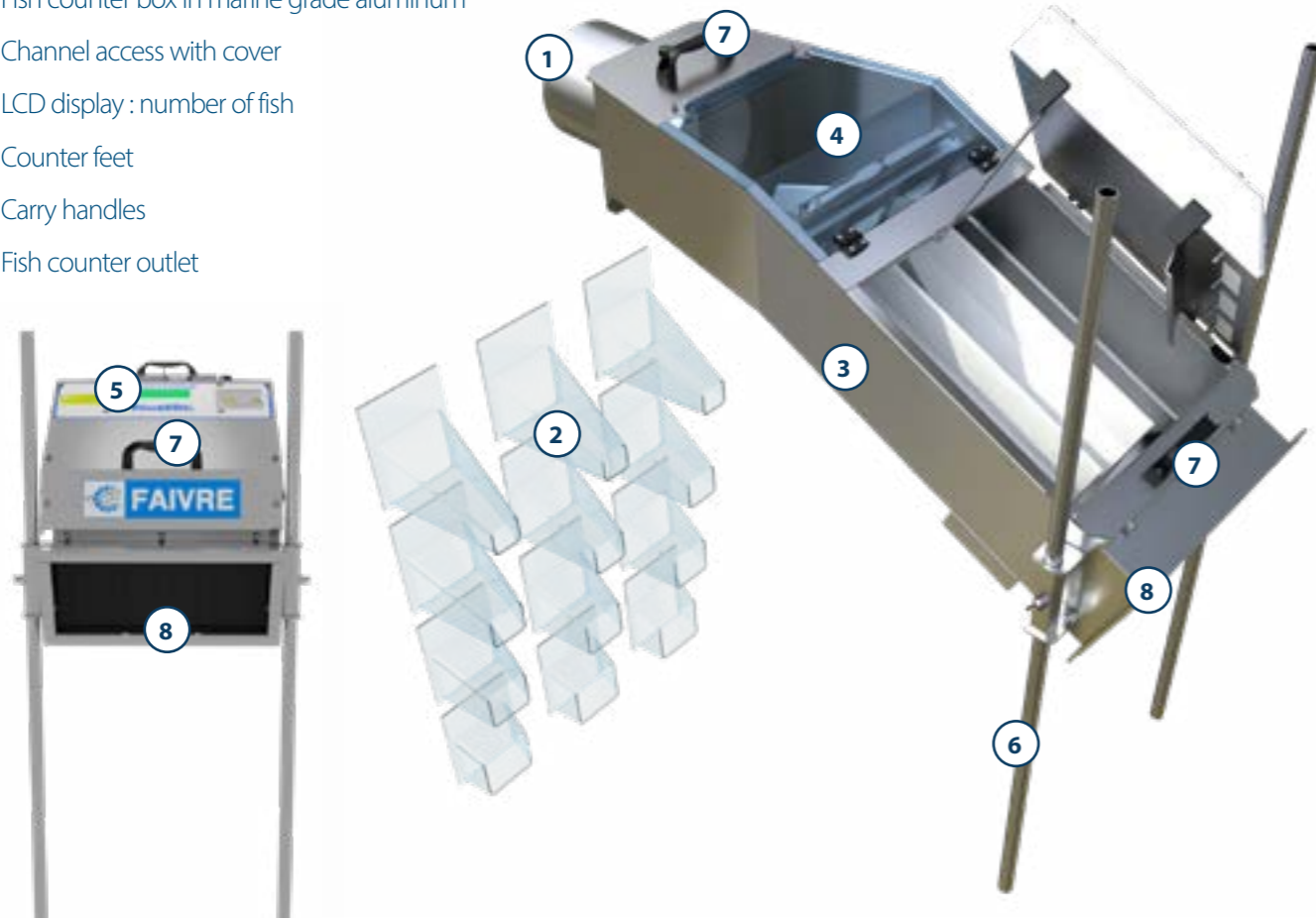


*Download the counting report on your PC with the USB key.

(*Control Box only)

- ① Fish counter inlet female Ø 200 mm
- ② Fish dividers (Our fish counter is delivered with 4 fish dividers)
- ③ Fish counter box in marine grade aluminum
- ④ Channel access with cover
- ⑤ LCD display : number of fish
- ⑥ Counter feet
- ⑦ Carry handles
- ⑧ Fish counter outlet

Description



Specifications

Fish counter model	PESCAVISION 40	
Fish species	Trout Salmon	Bass/Bream/Tilapia
Fish weight	50 g to 1,5 kg	50 g to 600g
Capacity (maxi)	3t/h	
Number of channels	3	
Channel width	135 mm	
Connection diameter	200 mm	
Accuracy	98 % - 100 %	
Weight	25 kg - 55 lbs	
Voltage 50/60 Hz	Delivery with 110 - 240 V/24 V power supply	
Reference (Fresh and sea water)	PESCA40	



Grading Pack

2,5"

10 Series

30 Series

6"

40 Series

6-8"

50 Series

8"

60 Series

8-10"

Summary ▲ Range Products ▲

Standard Pack

Up to 3 to 4 tons/hour

4 sizes :

- 1 Pescamotion 40 fish pump (up to 1,5kg)
- 1 Helios grader 40 (5g - 1,5 kg) / 3 channels
- 1 Water pump 40m3/h
- 1 Control box
- 2 Pescavision 30 Fish counters (40g - 1kg)
- 2 Pescavision 50 fish counters (400g-4,5kg)
- 4 Reception tanks

Fresh and Sea water pack
Ref. : **GPST4**

40g to 1,5 kg



Trout / Salmon

40g to 800g



Tilapia

40g to 800g

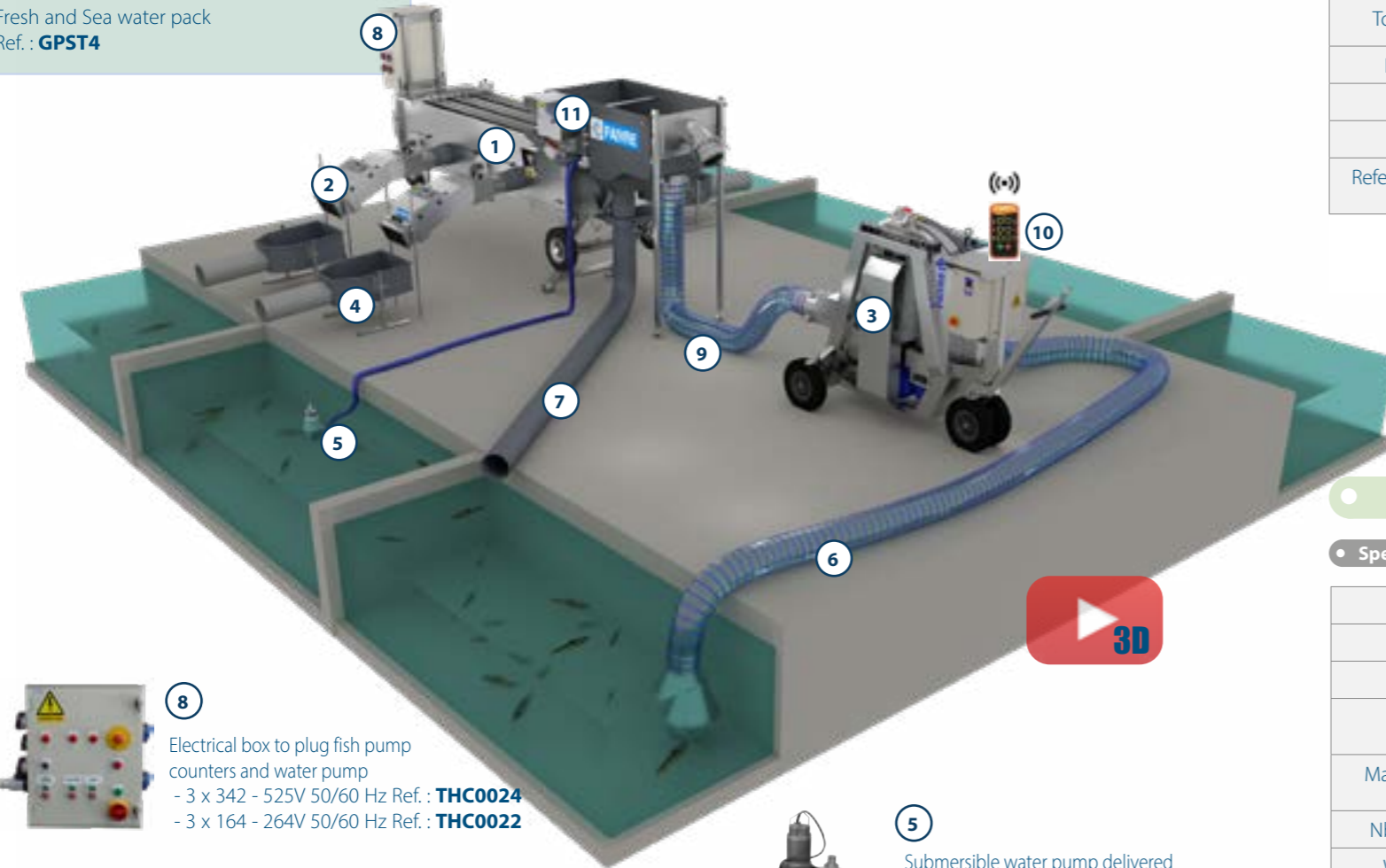


Sea Bream

40g to 800g



Sea Bass



8 Electrical box to plug fish pump counters and water pump
- 3 x 342 - 525V 50/60 Hz Ref. : **THC0024**
- 3 x 164 - 264V 50/60 Hz Ref. : **THC0022**



5 Submersible water pump delivered with 5m of flexible pipe and storz fittings to plug at the grader
Ref. (Sea water 316L) : **TPOW40I6T5**

- Helios 40 fish grader
- Pescavision 40 fish counters
- Fish pump Pescamotion 40 (Ø 200mm - 8 in)
- Reception tanks outlet Ø 200 mm
- Submersible water pump 40 m3/h
- 5 m suction flexible pipes Ø 200 mm (8 in)
- 5 m dewatering pipes Ø 200 mm (8 in)
- Control box
- 5 m discharge flexible pipes Ø 200 mm (8 in)
- Fish pump Remote control 1 Counting station (Option)
- Counting station (optional)

Pescamotion 40



Specifications

Fish pump model	PESCAMOTION 40
Prime control	Frequency variator
Prime drive motor	1,1 kW 400 V 3ph 50 Hz
Inlet Ø	(203mm) 8 in male camlock
Outlet Ø	(203mm) 8 in male camlock
Total dynamic head	14 m - 46 ft (3 m suction and 11 m discharge)
Fish weight max.	1500 g Trout/Salmon
Pump speed	100 to 390 rpm
Water flow	380 m ³ /h - 1673 gpm
Reference (Fresh and sea water)	PH0802

Pescavision 40



Specifications

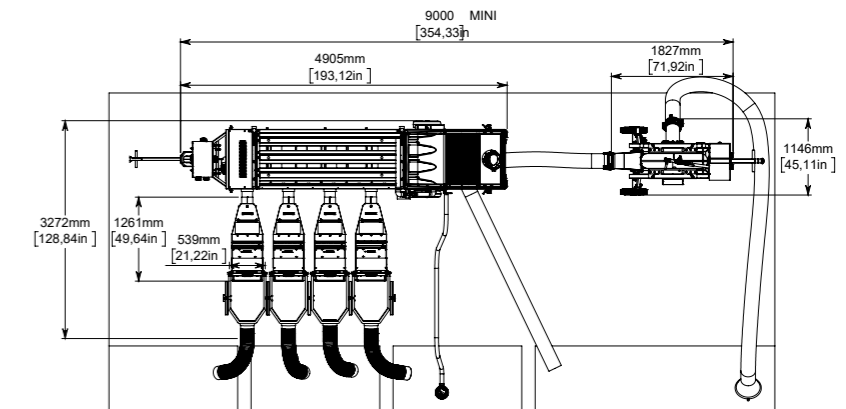
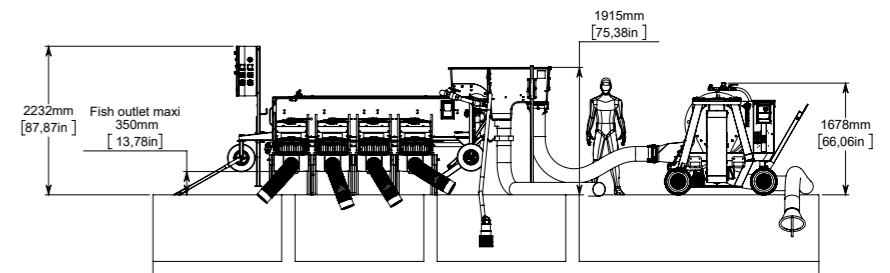
Fish counter model	PESCAVISION 40	
Fish species	Trout Salmon	Bass/Bream/Tilapia
Fish weight	50 g to 1,5 kg	50 g to 600g
Capacity (maxi)	3t/h	
Number of channels	3	
Channel width	135 mm	
Connection diameter	200 mm	
Accuracy	98 % - 100 %	
Weight	25 kg - 55 lbs	
Voltage 50/60 Hz	Delivery with 110 - 240 V/24 V power supply	
Reference (Fresh and sea water)	PESCA40	

Helios 40



Specifications

Grader model	HELIOS 40
Nbr of channels	3
Nbr of size	4
Length of grading channels(mm)	2500
Max. channels opening (mm)	65
Nbr of outlets Ø (mm)	8 x Ø 200
Weight min. - max. (Trout/Salmon)	5 g - 1,5 kg
Weight min. - max. (Bass/Bream/Tilapia)	5 g - 800 g
Hourly rate (tons/hour)	3 - 4
Height (m)	1,3
Advice pump flow (m3/h)	40
Reference (Sea water 316L)	TH4036



Power ratings and weights summary

Machines	Power	Weight
Helios fish grader 40	0,37 kW	480 kg - 1058 lbs
Fish pump Pescamotion 40	11 kW	502 kg - 1100 lbs
Fish counter (one unit)	0,05 kW	24 kg - 53 lbs
Water pump 40m3/h	1,1 kW	30 kg - 66 lbs

All packs are given as an example and can be modified according to the customer needs

High capacity Grading pack

High capacity Pack

Up to 4 to 6 tons/hour

- 4 sizes :
- 1 Pescamotion 40 fish pump (up to 1,5kg)
 - 1 Helios grader 400 (5g -1,5 kg) / 5 channels
 - 1 Water pump 50m³/h
 - 1 Control box
 - 2 Pescavision 30 Fish counters (40g - 1kg)
 - 2 Pescavision 50 Fish counters (500g - 4,5kg)
 - 4 Reception tanks

Fresh and Sea water pack
Ref. : **GPHC4**

40g to 1,5 kg



Trout / Salmon

40g to 800g



Tilapia

40g to 800g



Sea Bream

40g to 800g



Sea Bass



Pescamotion 40



Specifications

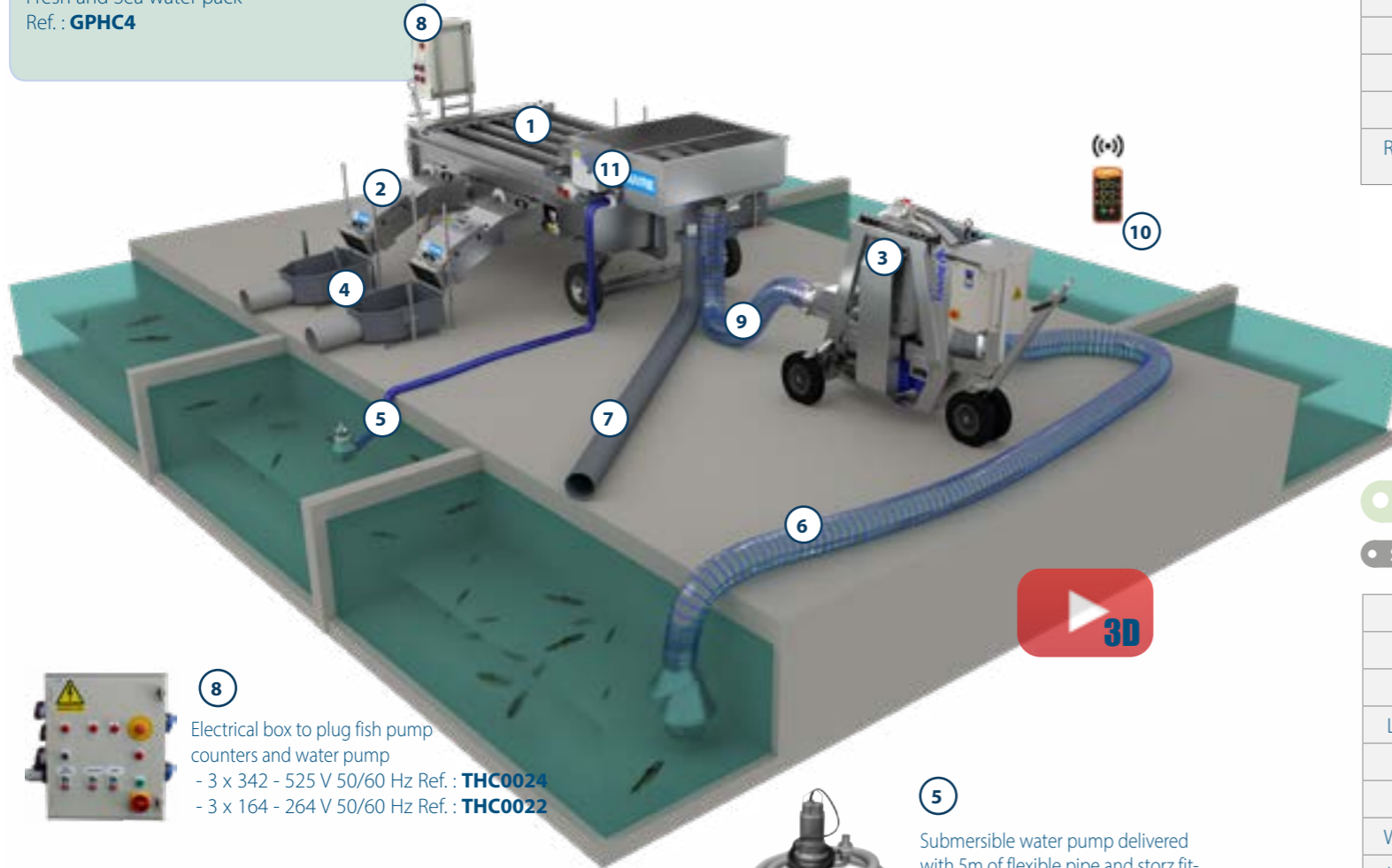
Fish pump model	PESCAMOTION 40
Prime control	Frequency variator
Prime drive motor	0.75 kW 400 V 3ph 50 Hz
Inlet Ø	(203mm) 8 in male camlock
Outlet Ø	(203mm) 8 in male camlock
Total dynamic head	14 m - 46 ft (3 m suction and 11 m discharge)
Fish weight	up to 1500 g Trout/Salmon
Pump speed	100 to 390 rpm
Water flow	380 m ³ /h - 1673 gpm
Reference (Fresh and sea water)	PH0802

Pescavision 40



Specifications

Fish counter model	PESCAVISION 40	
Fish species	Trout Salmon	Bass/Bream/Tilapia
Fish weight	50 g to 1,5 kg	50 g to 600g
Capacity (maxi)	3t/h	
Number of channels	3	
Channel width	135 mm	
Connection diameter	200 mm	
Accuracy	98 % - 100 %	
Weight	25 kg - 55 lbs	
Voltage 50/60 Hz	Delivery with 110 - 240 V/24 V power supply	
Reference (Fresh and sea water)	PESCA40	



- 8 Electrical box to plug fish pump counters and water pump
- 3 x 342 - 525 V 50/60 Hz Ref. : **THC0024**
 - 3 x 164 - 264 V 50/60 Hz Ref. : **THC0022**



- 5 Submersible water pump delivered with 5m of flexible pipe and storz fittings to plug at the grader
Ref. (Sea water 316L) : **TPOW50I6T5**

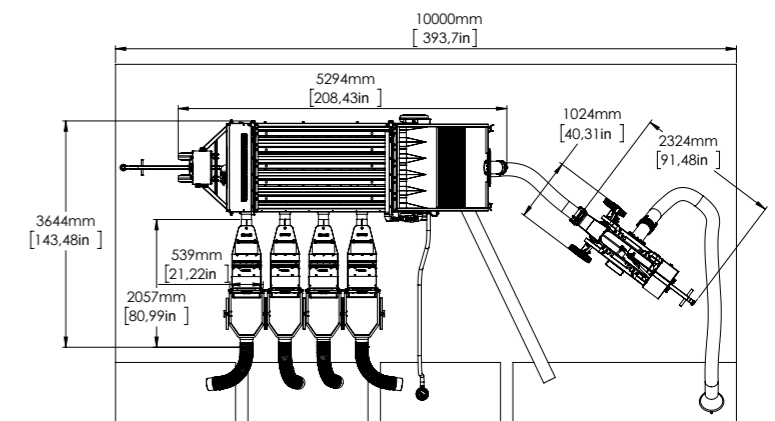
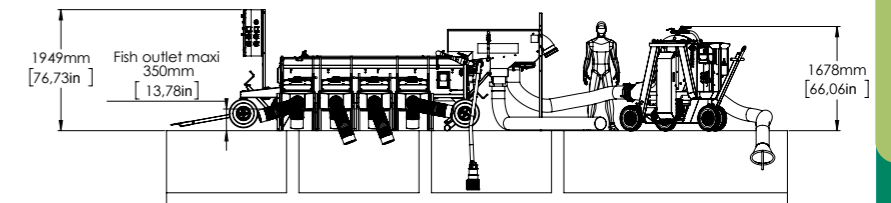
- Helios 400 fish grader
- Pescavision 40 fish counters
- Fish pump Pescamotion 40 (Ø 200mm - 8 in)
- Reception tanks outlet Ø 200 mm
- Submersible water pump 50 m³/h
- 5 m suction flexible pipes Ø 200 mm (8 in)
- 5 m dewatering pipes Ø 200 mm (8 in)
- Control box
- 5 m discharge flexible pipes Ø 200 mm (8 in)
- Fish pump Remote control 1 Counting station (Option)
- Counting station (optional)

Helios 400



Specifications

Grader model	HELIOS 400
Nbr of channels	5
Nbr of size	4
Length of grading channels(mm)	2500
Max. channels opening (mm)	65
Nbr of outlets Ø (mm)	8xØ 200
Weight min. - max. Trout/Salmon	5 g - 1,5 kg
Weight min. - max. Bass/Bream/Tilapia/Carp	5 g - 800 g
Hourly rate (tons/hour)	4 - 6
Height (m)	1,3
Advice pump flow (m ³ /h)	50
Reference (Sea water 316L)	TH4056



Power ratings and weights summary

Machines	Power	Weight
Helios fish grader 400	0,37 kW	520 kg - 1146 lbs
Fish pump Pescamotion 40	11 kW	502 kg - 1100 lbs
Fish counter (one unit)	0,05 kW	24 kg - 53 lbs
Water pump 50 m ³ /h	2,2 kW	30 kg - 66 lbs

50

Series Harvesting Equipment

- **Salmon / Trout**  400 g to 2500 g
- **Tilapia**  400 g to 1000 g



• Pescavac 50
Page 103



• Pescamotion 50
Page 109



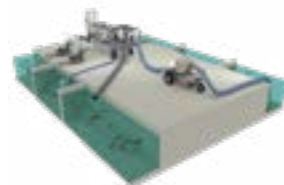
• Helios 50 / 500
Page 115



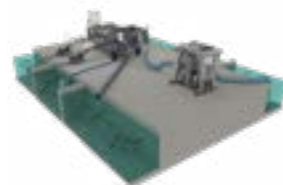
• Heliotion 50
Page 123



• Pescavision 50
Page 128



• Pack Standard 50
Page 138



• Pack High Capacity 50
Page 140

PESCAVAC

Vaccum fish pump



8"

Fish Pump

2,5"

10 Series

6"

30 Series

6-8"

40 Series

8"

50 Series

8-10"

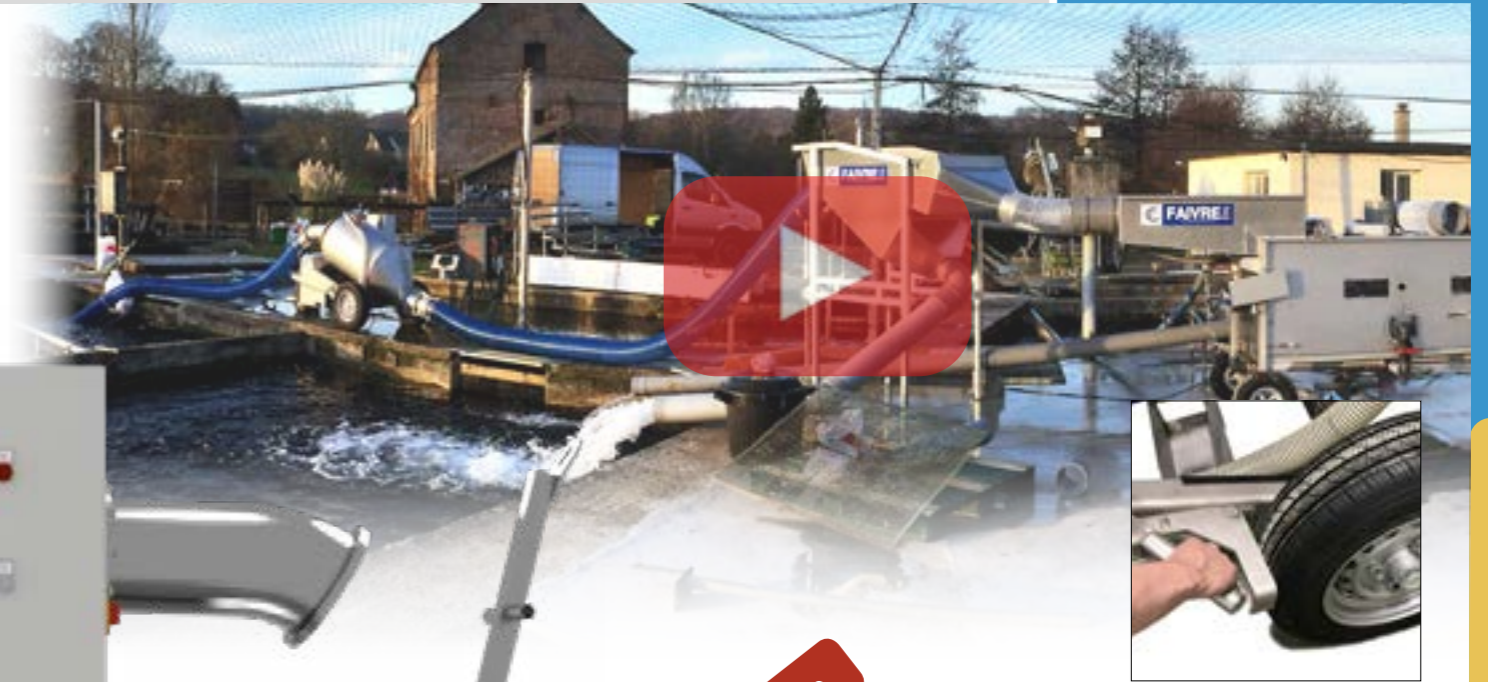
60 Series

Vacuum Fish Pump
PESCAVAC
Vaccum fish pump

Pescavac 50

- Key benefits :
- ✓ High capacity 6 - 8 tons/hour
 - ✓ Handle fish up to 3,5kg (Salmonidae)
 - ✓ Bass/Bream 1,5 kg max.
 - ✓ Discharge height 5m
 - ✓ Suction height 4m

FAIVRE company has developed a new model of Vacuum Fish Pump called "Pescavac 8" to transfer live fish up to 2,5kg (Salmonidae). High quality construction in Stainless steel. Easy to handle with its compact frame with large wheels.



Electrically operated 4 - way valve allowing precise control of the closing speed of the valve. Your fish are safely transported.



Inflatable tires with break handle. Ø570mm (23") for security and an easy moving on the farm.



Simple front panel electrical box for an easy control of the vacuum pump.

8" Outlet valve
Ref.: **PV080805**

8" female cam lock
Ref.: **CLC200**

M : male
F : female

8" 3 clamps «Easy fitting»
Ref.: **PV080801**

Ø8" 3 clamps «Easy fitting»
Ref.: **PV080801**

Optional :
Hopper with water separator for loading tanks
Ref. : **TD0801**

8" Suction cone
Ref.: **PV080808**

PESCAVAC
Vaccum fish pump

- ① Electrical control box
- ② Ø 200 mm (8in) intake pipe with 3 clamps fitting
- ③ AISI 316L stainless steel vacuum pump
- ④ AISI 316L stainless steel frame
- ⑤ Inflatable tires Ø 400 mm (16in)
- ⑥ Towbar
- ⑦ Stainless steel pump tank
- ⑧ Ø 200 mm (8in) discharge connection with 3 clamps fitting
- ⑨ Inflatable tires Ø 570 mm (23in)
- ⑩ Break handle
- ⑪ Fork lift handle system
- ⑫ AISI 316L stainless steel Suction cone
- ⑬ Ø 200 mm (8") Female camlock
- ⑭ Ø 200 mm (8") Outlet valve

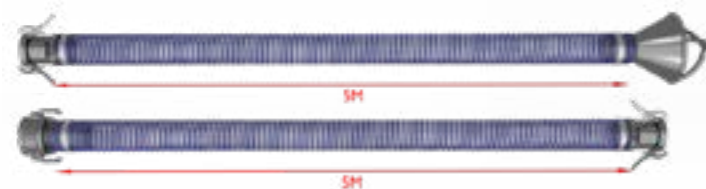


Description

OPTIONS

Dewat 40 (8")

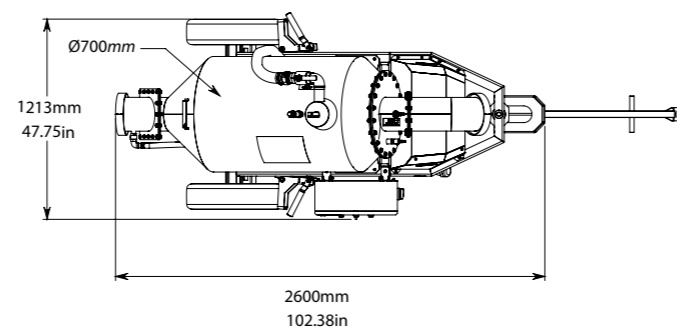
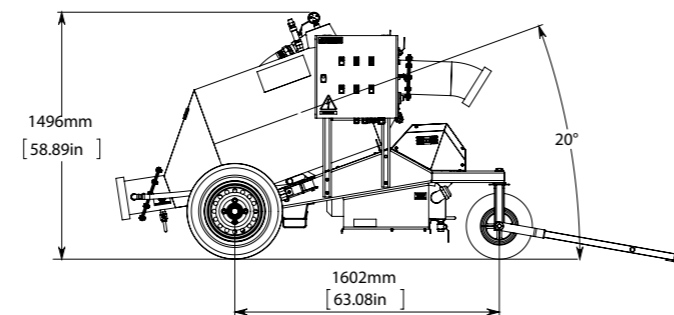
The Dewat 40 (10mm grid as standard and 5mm as option) suitable for the Pescamotion 40 or Pescavac 50 pump and the Helios 40 or 50 grader. Delivered with Ø200mm slide gate valve and 2m flexible pipe. Ref. : **TD0801**



INCLUDED : 2X3 clamp fittings, 1 cam lock female, 1 outlet valve and 1 suction cone 8"
- (2 x 5 meters) 8" Flexible hose Bonzai (aspiration and discharge).
Ref.: **PP0803C**

Specifications

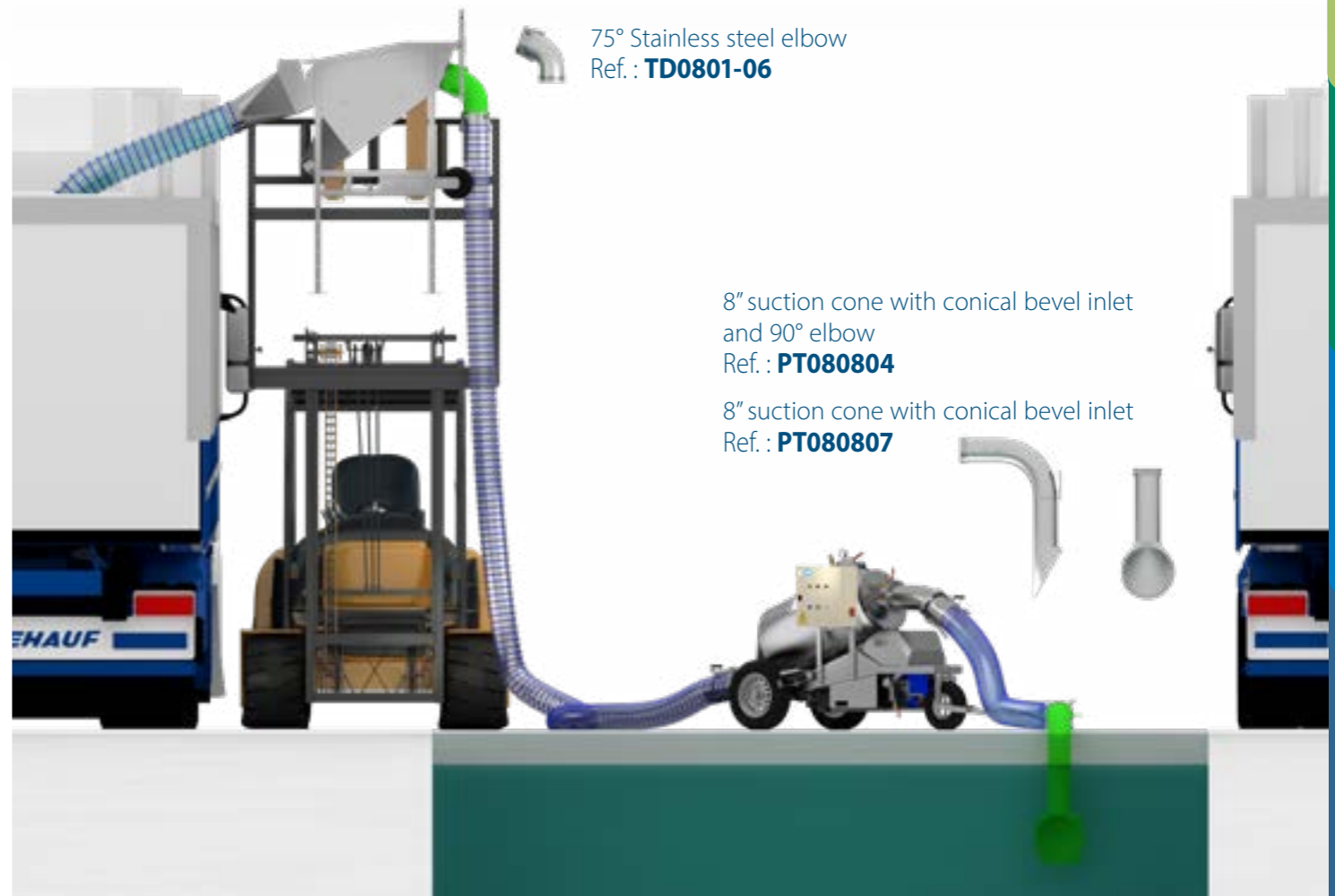
Fish pump model	PESCAVAC 50
Vacuum pump motor	5,3 kW
Inlet Ø	(200 mm) 8" male
Outlet Ø	(200 mm) 8" male
Maximum discharge head	5 m (196 in)
Maximum suction head	4 m (157 in)
Fish size	Up to 3,5 kg (Trout/Salmon)
Weight	440 kg - 970 lbs
Stainless steel quality	AISI 316L
Reference 3 x 380 - 480 V 50/60 Hz	PV0801
Reference 3 x 230 V 50/60 Hz	PV0802
Reference 3 x 500 - 600 V 50/60 Hz	PV0803



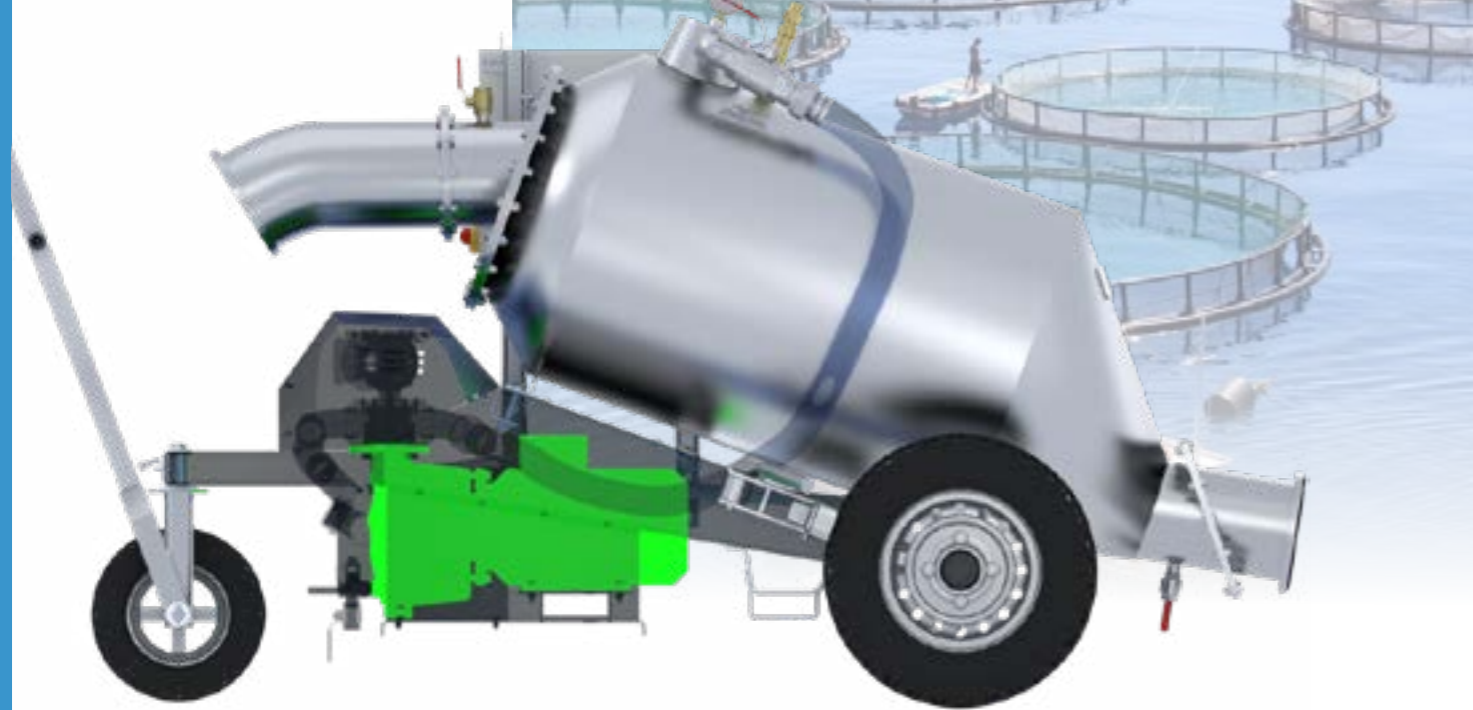
75° Stainless steel elbow
Ref. : **TD0801-06**

8" suction cone with conical bevel inlet and 90° elbow
Ref. : **PT080804**

8" suction cone with conical bevel inlet
Ref. : **PT080807**



• 2022 NEW
Seawater pump as standard



Semi - transparent, flexible hoses

Ø 8 "(Ø 200 mm) pipes with male and female cam lock fitted at each end of the pipe
Ref.: **PP0803FM** long. 5 m
Ref.: **PP0804FM** long. 10 m



Parts for fish pump 8"

- 8" Cam lock male (Aluminum) Ref.: **CLEA200**
- 8" Cam lock female (Aluminum) Ref.: **CLCA200**
- 8" 3 clamps fittings Ref.: **PV080801**
- 8" Suction cone standard Ref.: **PV080808**
- 8" Outlet valve (for grader universal dewatering hopper) Ref.: **PV080805**



PESCAMOTION
Propeller fish pump



Fish Pump

2,5"

Series

10

Series

30

Series

6"

Series

40

Series

6-8"

Series

50

Series

8-10"

Series

60

A new 10" (250 mm) fish pump, with high performance.

Pescamotion 50

Ideal for supplying a high capacity grader, for transferring Fish to a tank or loading lorries.

The Pescamotion 50 pump can easily be adapted to every situation.

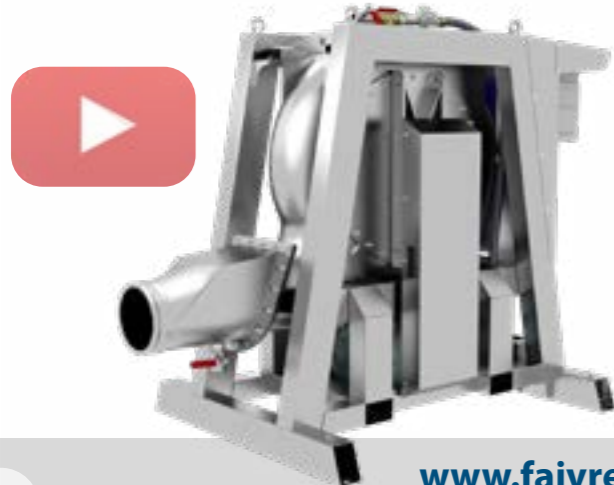
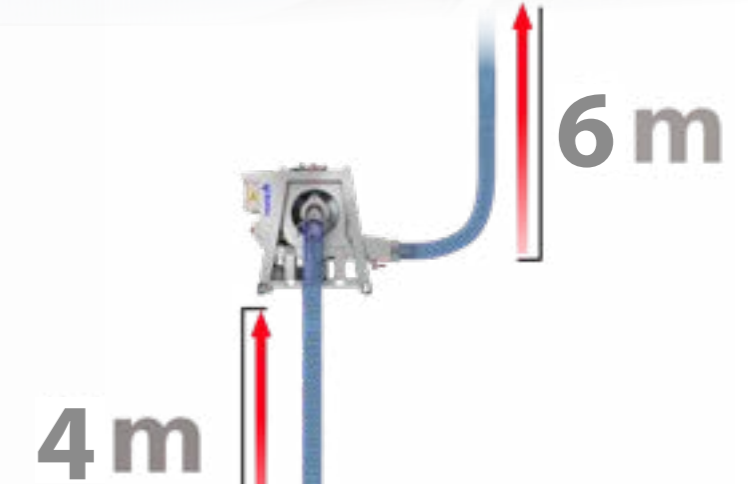
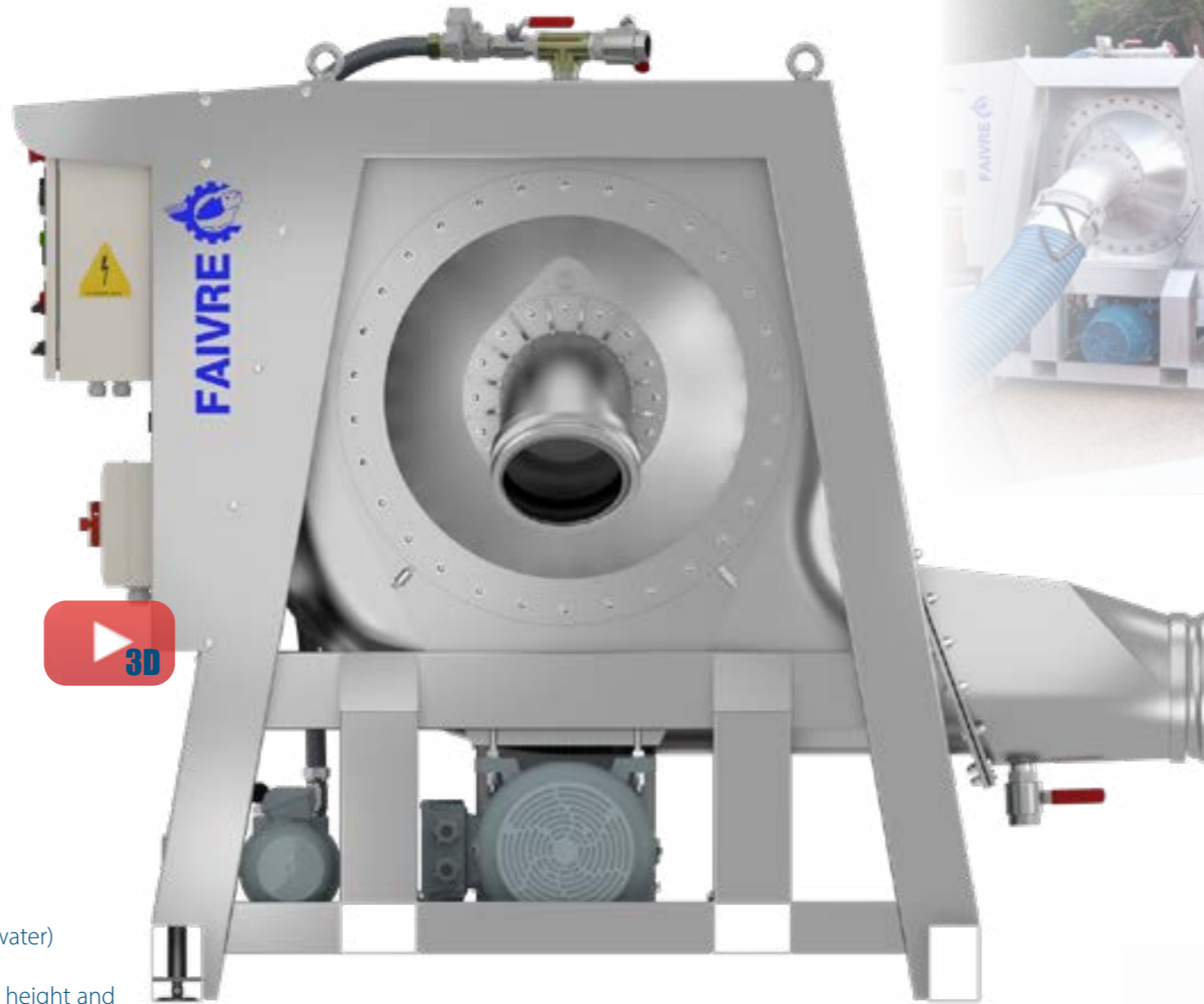
Premium performance :

- Up to 3000 g (Trout Salmon)
- Up to 1500 g (Sea Bass and Sea Bream)
- Up to 12 m total dynamic head.

Key benefits :

- ✓ High capacity, up to 50 tons/hour
- ✓ For fish up to 3 kg on average weights (Salmonids)
- ✓ Total dynamic head : 12 m
- ✓ Weight : 950 kg - 2095 lbs
- ✓ Remote control as option (200 m - 650 ft)
- ✓ "Auto stop" priming system
- ✓ Free maintenance with "Belt drive system" pump
- ✓ Pump housing in Stainless steel 316L (ready to use in sea water)

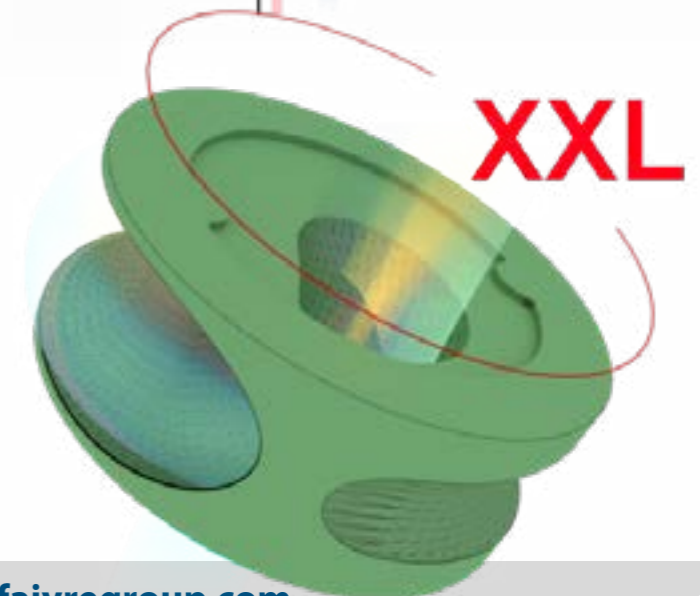
Warning : The pump performance may vary according to the height and weight of the fish.



Electrical box central fitted with a frequency converter to control the pump speed.



Optimized by powerful digital simulation tools, the performance of the Pescamotion 50 matches its exceptional design. Its 12 m total dynamic head allows its easy adaptation to every situation.



Fish Pump

2,5"

10 Series

30 Series

6"

40 Series

6-8"

50 Series

8"

60 Series

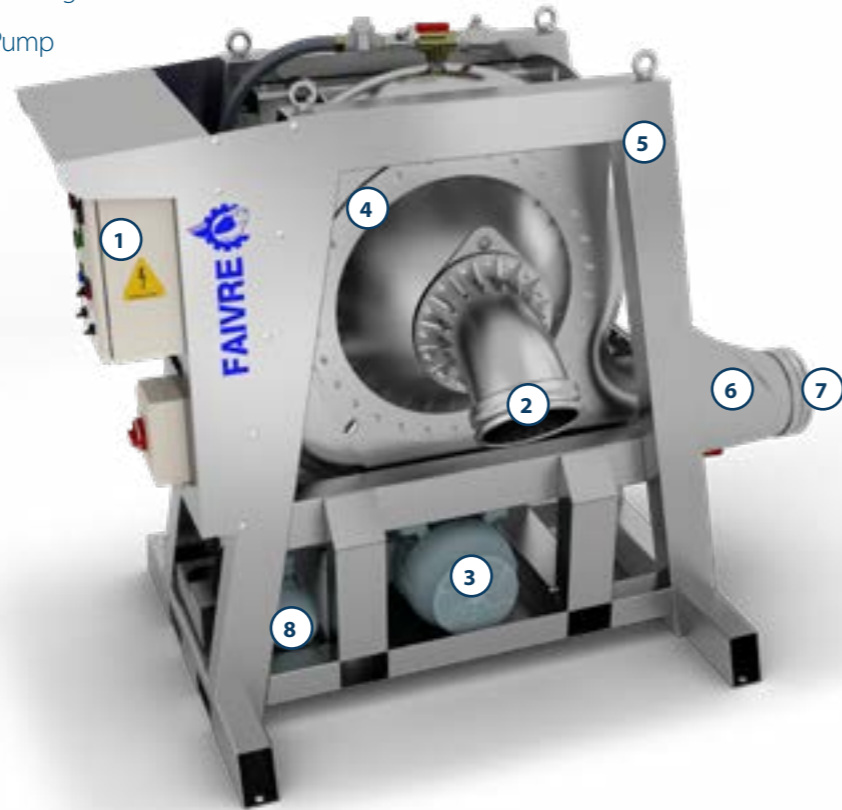
8-10"

111

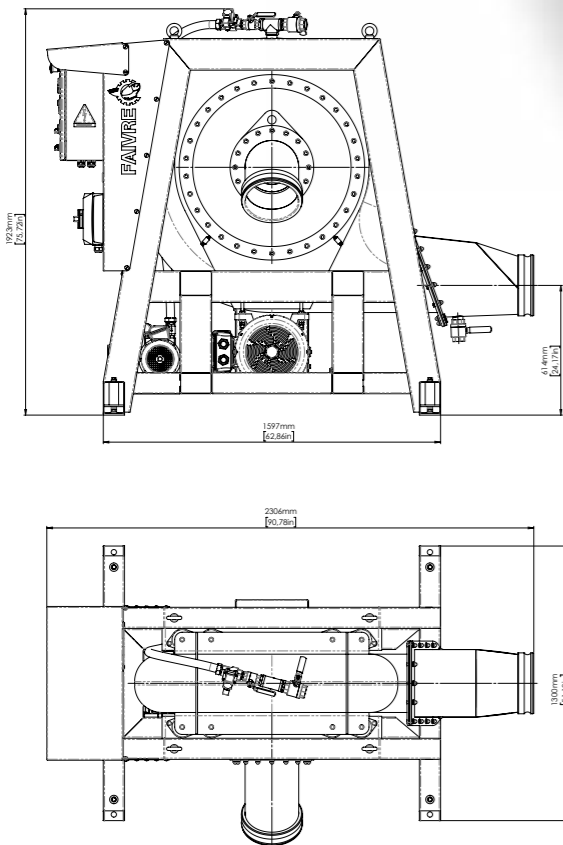
Summary ▲ Range Products ▲

- 1 Electrical box
- 2 AISI 316L Stainless steel Adjustable suction elbow (10 in - 250 mm male camlock) intake pipe
- 3 Main pump motor
- 4 AISI 316L Stainless steel pump housing
- 5 AISI 316L Stainless steel frame
- 6 AISI 316L stainless steel pump outlet valve
- 7 Ø 250 mm (10 in - 250 mm male camlock) discharge connection
- 8 AISI 316L stainless steel priming liquid Ring Pump

Description



Specifications



Model	PESCAMOTION 50
Main drive motor	18,5 kW
Main drive motor control	Frequency variator
Prime drive motor	1,5 kW
Inlet Ø	(250 mm) 10 in male cam lock
Outlet Ø	(250 mm) 10 in male cam lock
Total dynamic head	12 m - 39 ft
Fish weight max (average)	3000 g Trout/Salmon
Pump speed max.	390 rpm
Water flow max. (390 rpm, 1m vertical head discharge)	600 m ³ /h
Weight	950 kg - 2095 lbs
Reference 3 x 380 - 480 V 50/60 Hz	PH1003
Reference 3 x 200 - 240 V 50/60 Hz	PH1004

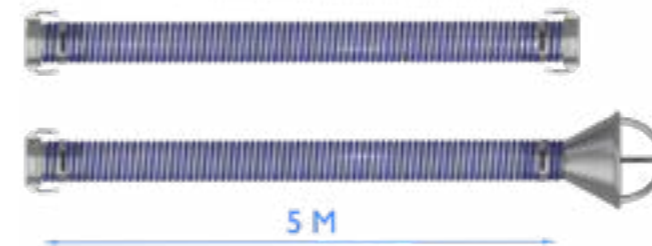
OPTIONS

Remote control

200 meters IP67 remote control, supplied as an option.
Allows a full control of the pump (stop / start, pump priming, pump motor, and speed control)
Belt clip and docking station included
Ref. : **PH00REM2**



Kit starter Pack 10'''



(5m Inlet / 5m Outlet) cam-lock MF and Suction cone
- kits of 2x5 meters of 8" flexible pipes
Ref. : **PP1001P**

Semi - transparent, flexible hoses

Ø 10" (Ø 250 mm) hoses with male and female cam lock mounted at each end of the hose
Ref. : **PP1003FM** long. 5 m



Ø 8" (Ø 200 mm) hoses with male and female cam lock mounted at each end of the hose
Ref. : **PP0803FM** long. 5 m
Ref. : **PP0804FM** long. 10 m



Option parts for fish pump

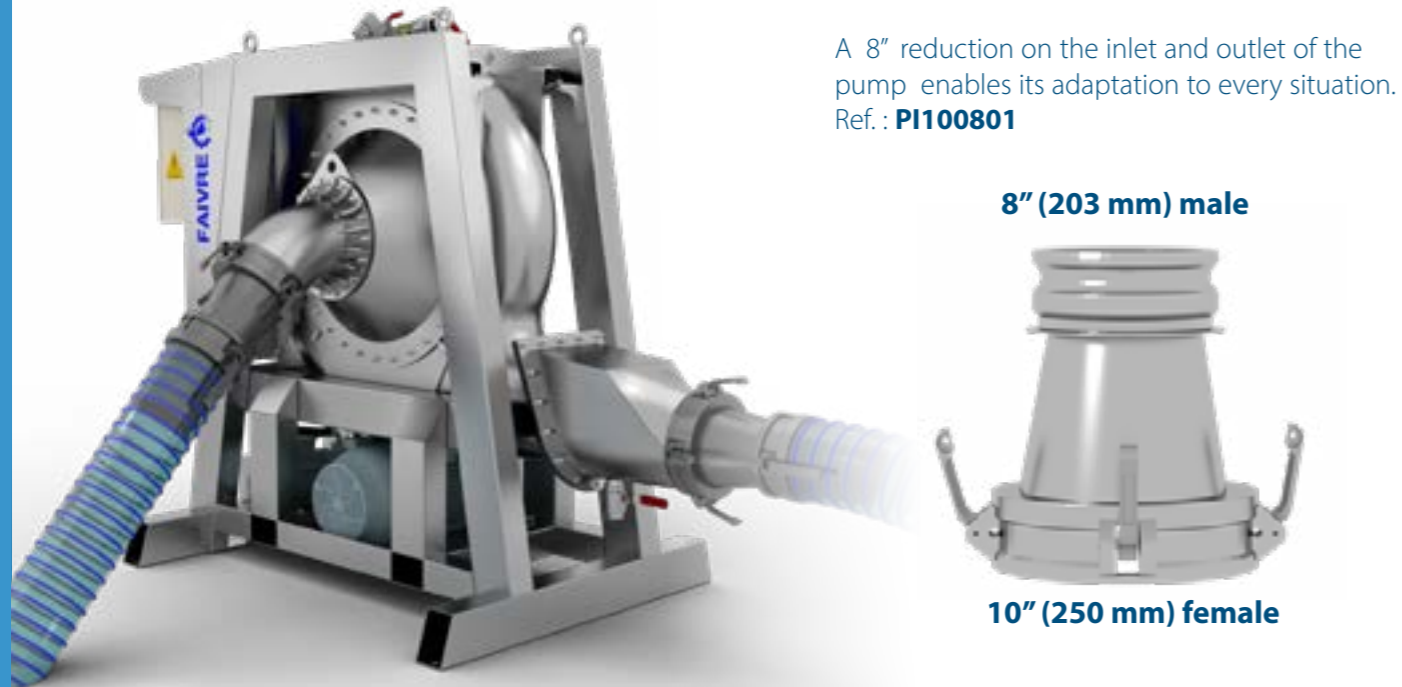


OPTION PARTS FOR FISH PUMP 8"

- Cam lock male (Aluminum) Ref. : **CLEA250**
- Cam lock female (Aluminum) Ref. : **CLCA250**
- 10" Suction cone Ref. : **PV100803**

• **OPTIONS**

Adapter cam lock 10" to 8"



A 8" reduction on the inlet and outlet of the pump enables its adaptation to every situation.
Ref. : **PI100801**

8" (203 mm) male



10" (250 mm) female

Dewatering hopper Dewat 50 (10")

The water separator hopper is an important part of the proper functioning of a fish pump. To be effective, the water separating hopper must have a particularly studied design. For this, we called on digital simulation.
Ref. : **TD1001H**



HELIOS

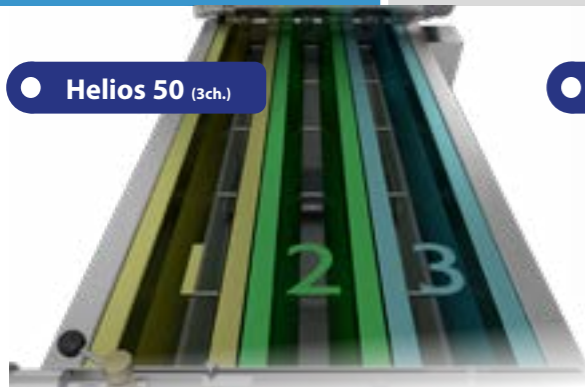
Live fish grader



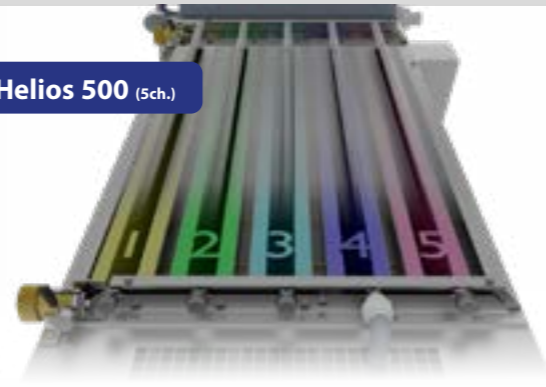
• Helios 50

• Helios 500





● Helios 50 (3ch.)



● Helios 500 (5ch.)

HELIOS 50 - 500 grader

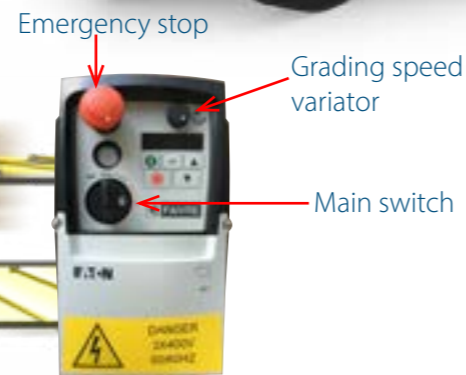
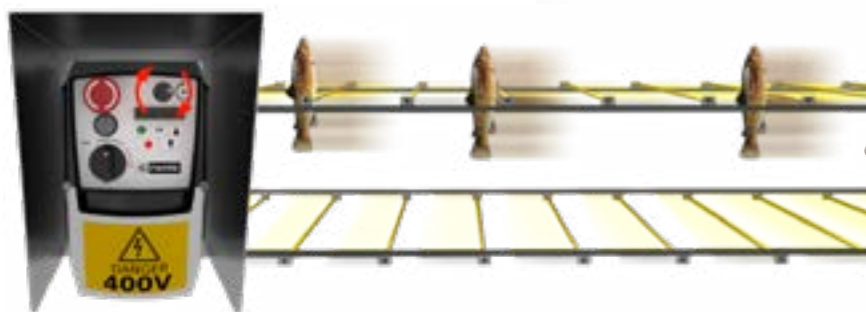
50 g - 2,5 kg
3 or 5 channels
3 sizes

General characteristics :

- 3 grading channels Helios 50
- 5 grading channels Helios 500
- 3 receipt hoppers with outlet on each side of the machine.
- Electronic adjustable grading speed
- Lifting jack.
- Made of aluminium AISI 316L Stainless steel.

Main advantages :

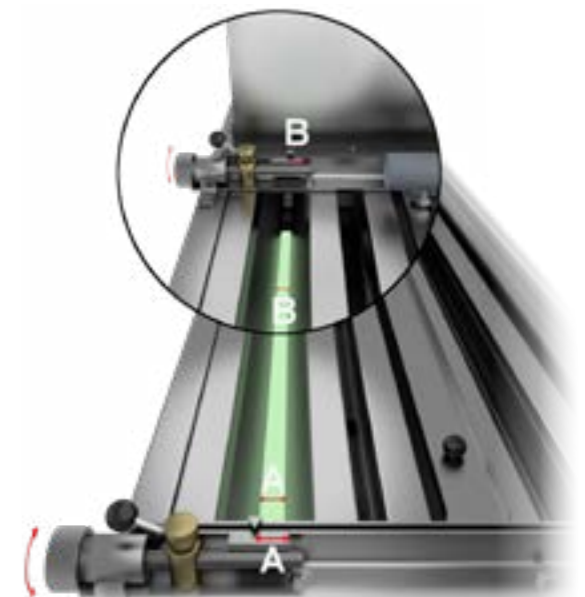
- ✓ A grader fitted with the performing Sps Technology made for a high speed
- ✓ grading and without injury.
- ✓ A machine entirely made of aluminium and Stainless steel.
- ✓ An easy and perfect adjustment thanks to its lifting jack.
- ✓ An elaborate watering system fitted with adjustment gates.



Fish grader IP 67 electric panel.



Accurate adjustment vernier.





Specifications

Grader model	HELIOS 50	HELIOS 500
Nbr of channels	3	5
Nbr of sizes	3	3
Length of grading channels (mm)	2400	2400
Max. channels opening (mm)	75	75
Nbr of outlets Ø (mm)	6 x Ø 250	6 x Ø 250
Weight min. - max. Trout/Salmon	50 g - 2,5 kg	50 g - 2,5 kg
Weight min. - max. Bass/Bream/Tilapia/Carp	50 g - 1kg	50 g - 1kg
Hourly rate (tonnes/hour)	3 - 6	5 - 9
Grader weight	690 kg - 1521 lbs	1045 kg - 2303 lbs
Height (m)	1,5	1,5
Motor power	0,55 kW	0,55 kW
Advice pump flow (m ³ /h)	50	60
Reference (Sea water 316L)	TH5036	TH5056

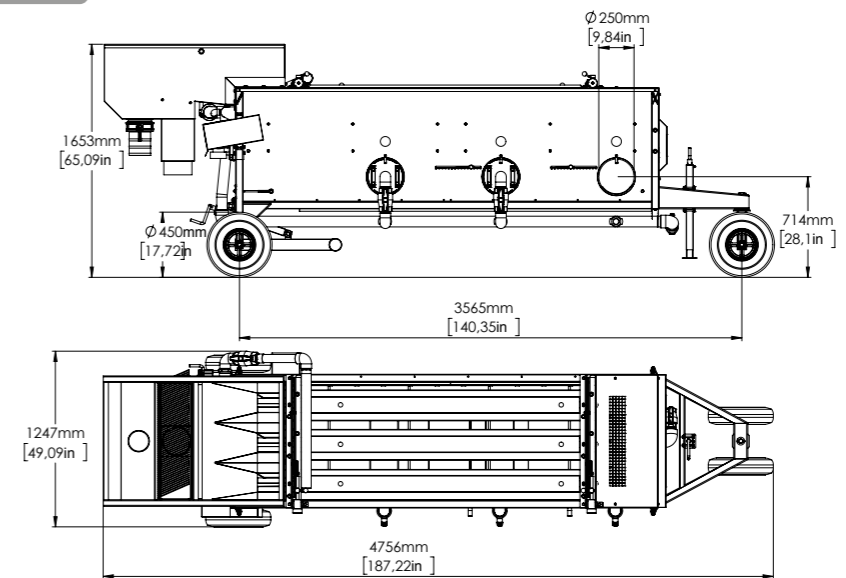
The grader motors are available in 4 supply voltages (add the desired voltage reference to the grader reference for your requests):

- Three phases 342 - 528 V 50/60 Hz Ref. : **400T**
- Three phases 180 - 264 V 50/60 Hz Ref. : **230T**
- Single phase 180 - 264 V 50/60 Hz Ref. : **230M**
- Single phase 110 V 50/60 Hz Ref. : **110M**

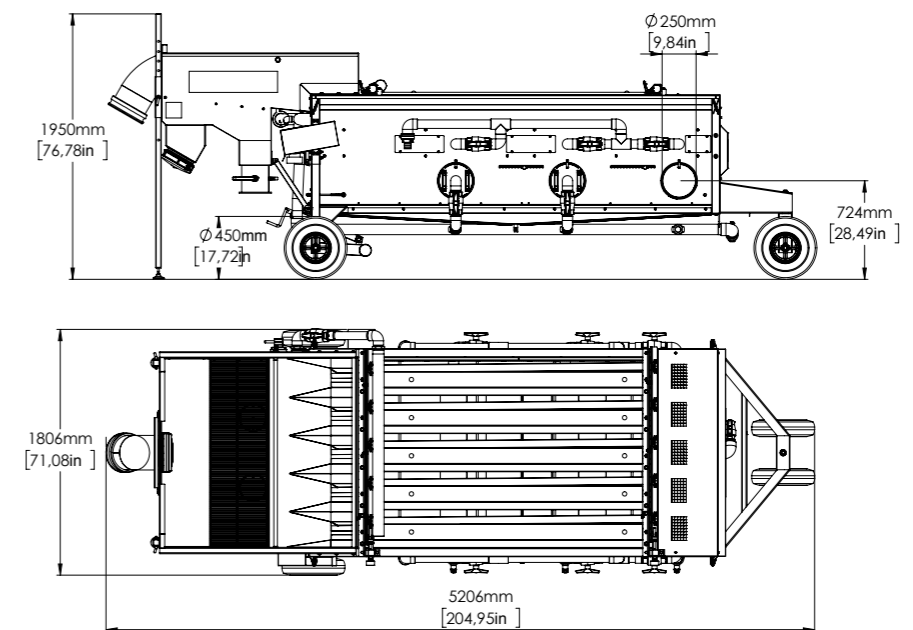
Description

- ① IP 55 geared motor and drive belt
- ② Fish inlet hopper
- ③ Water supply to channels, adjustable with a valve
- ④ Grading plane
- ⑤ Water ramp into each channel for watering fish
- ⑥ Chanel adjustment vernier (x2)
- ⑦ Receiving hoppers
- ⑧ Fish outlets
- ⑨ AISI 316L Stainless steel frame
- ⑩ Front lifting jack
- ⑪ Fish conveying fingers
- ⑫ Drive chain
- ⑬ Towbar
- ⑭ Rear lifting device
- ⑮ Inflatable tire Ø 400 mm (16 in)

Helios 50



Helios 500



OPTIONS

Control box «Packcontrol»

This option considerably reduces the cables left on the ground. Each equipment can be directly connected to this electrical cabinet, which is attached to the sorter. The box allows you to connect and control:

- 1 grader
- 2 water pumps
- 1 fish pump
- 4 counters.

The front panel switches allow each device to be turned on or turned off separately. Thermal circuit breakers ensure the protection of each piece of equipment. A differential switch protects the operators.

- Ref. :
- 3 x 342 - 525 V 50/60 Hz inlet voltage Ref. : **THC0024**
 - 3 x 164 - 264 V 50/60 Hz inlet voltage Ref. : **THC0022**
 - 1 x 230 V 50/60 Hz inlet voltage Ref. : **THC004***
- * water pump max. 2,2 kW with single phase



Universal dewatering hopper

This universal dewatering hopper allows you to connect a Pescavac pump or an elevator or a Pescamotion pump.

- For Helios 50 grader :
- Ø fish pump pipe 8" (hopper included in the grader price) Ref. : **TH503DEWU**

- For Helios 500 grader :
- Ø fish pump pipe 8" Ref. : **TH505DEWU**



Water pump for grader

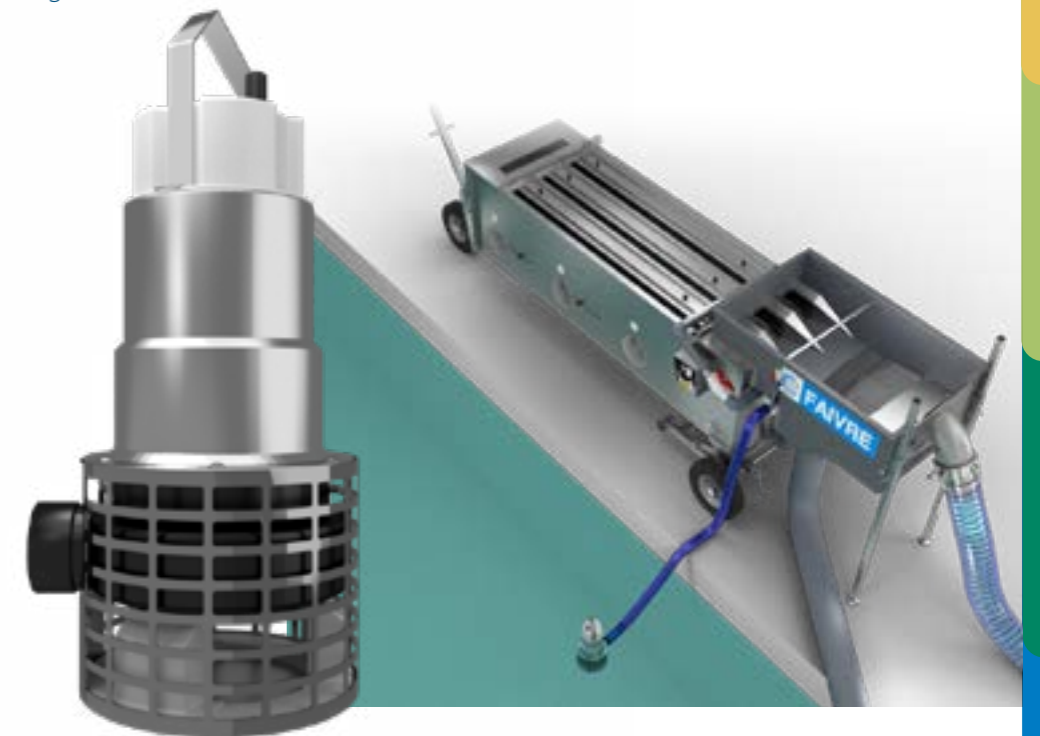
A suitable water pump must be connected to the grader in order to grade the fish without damage. We can offer you a Stainless steel submersible pump adapted to your machine. This pump has a Stainless steel strainer to suck the fish, it is delivered with 2.5m flexible hose and fittings, adapted to the grader.

- For Helios 50 grader
- Pump flow 40m³/h supply voltage 1 x 230 V 50 Hz Ref. : **TPOW40I6M5**
 - Pump flow 40m³/h supply voltage 3 x 400 V 50 Hz Ref. : **TPOW40I6T5**

- For Helios 500 grader
- Pump flow 50 m³/h supply voltage 3 x 400 V 50 Hz Ref. : **TPOW50I6T5**

- Accessories
- 5 m flexible hose Ø 60 mm (2,5 ") and storz fitting plus 90 ° Stainless steel elbow to connect the pump to the grader Ref. : **TPOHLINK60**

60 Hz pump on request



Adapters :

The inlet of the dewatering hopper of the graders is an 8" (200 mm) male cam lock. If you want to connect a 6" or 10" hose to this hopper, you need an adapter.

- To connect a 6" (150 mm) pipe to the dewatering hopper Helios 50 - 500
- 8" female to 6" male aluminum reduction Ref. : **PH061111**

- To connect a 10" (250 mm) pipe to the dewatering hopper Helios 50 - 500
- 10" female to 8" male aluminum reduction Ref. : **PI100101**





HELIOVISION

Fish grader



Grader / Counter

2,5"

10 Series

6"

30 Series

6-8"

40 Series

8"

50 Series

8-10"

60 Series

A new grader concept.

Boost your efficiency with the HeliOVision grader !

HELIOVISION
Fish grader

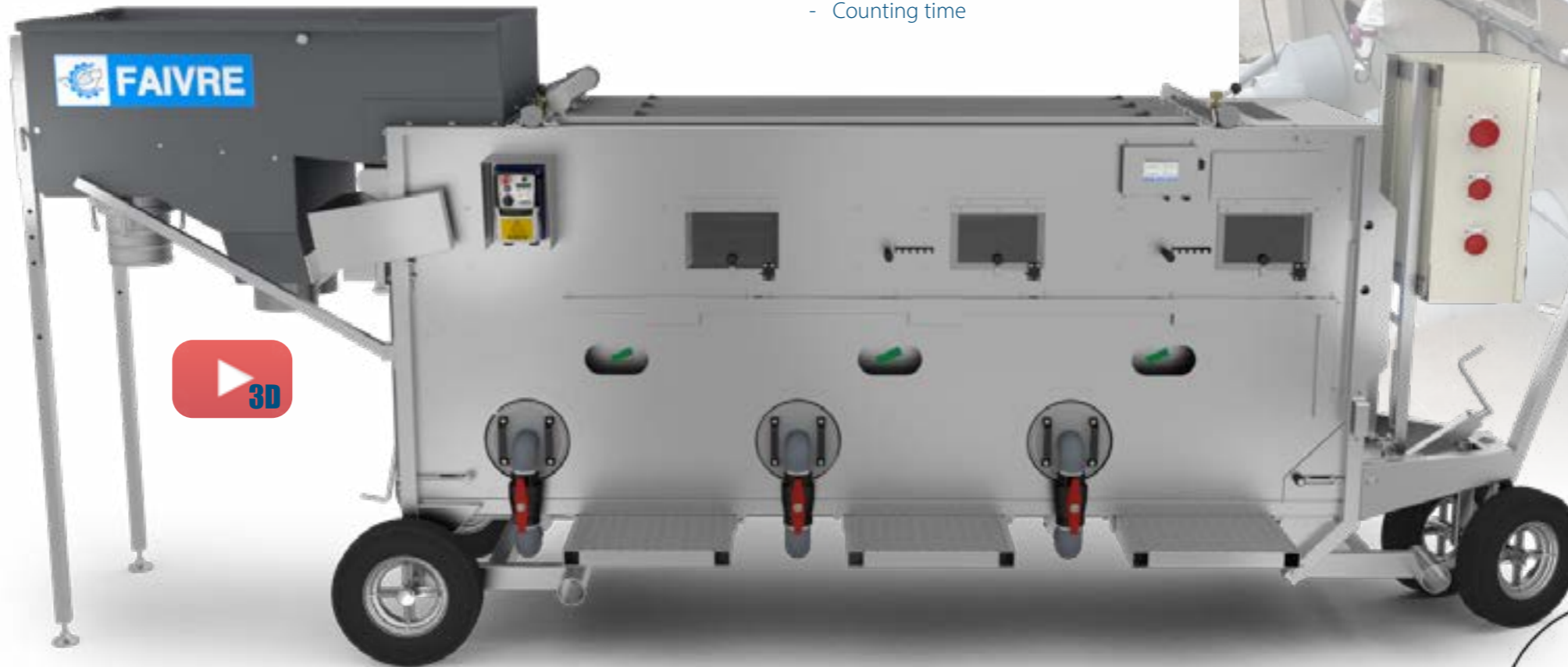
HeliOVision 50

- 50 g - 2,5 kg**
- Three channels**
- Three grades**
- Three counters**

Designed for Trout and Salmon up to 2,5 kg; Tilapia, Bass and Sea Bream up to 2kg. Large grading capacity, while offering high precision.

3 Possible configurations :

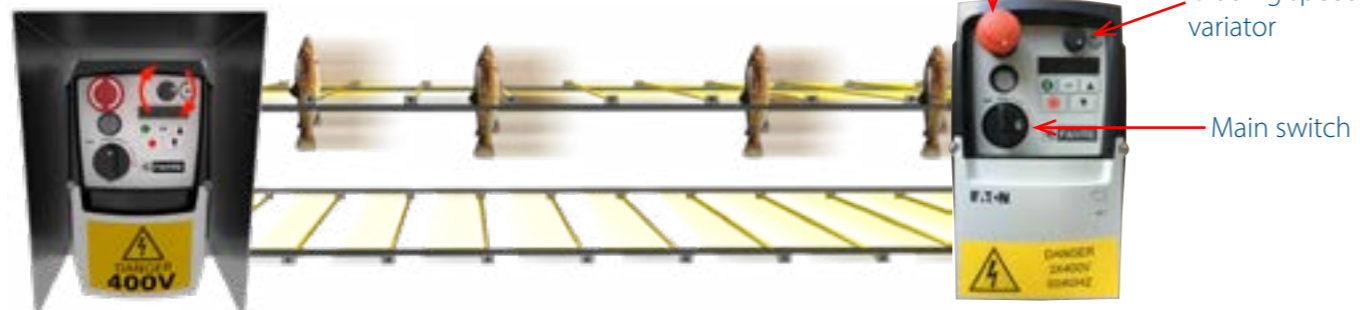
- 3 Pescavision 50
Ref. : **TC50304**
- 2 Pescavision 30 and 1 Pescavision 50
Ref. : **TC50124**
- 1 Pescavision 30 and 2 Pescavision 50
Ref. : **TC50214**



HeliOVision		00 : 00 : 30	
C1	0000235	C2	0000243
C3	0000238	Total	0000716
Quit		View history	
		View settings	

Easy to use !
Large touch screen and a counter display.
All informations in only one display :

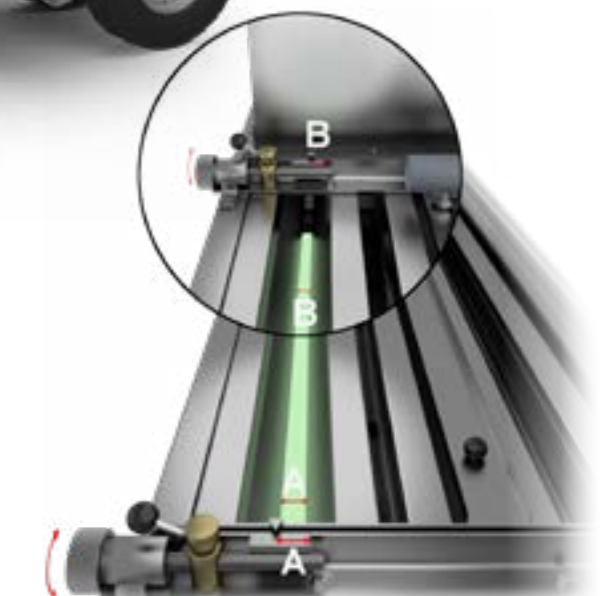
- Number of fish for each counter
- Total number of fish
- History of the 5 last counting sessions
- Counting time

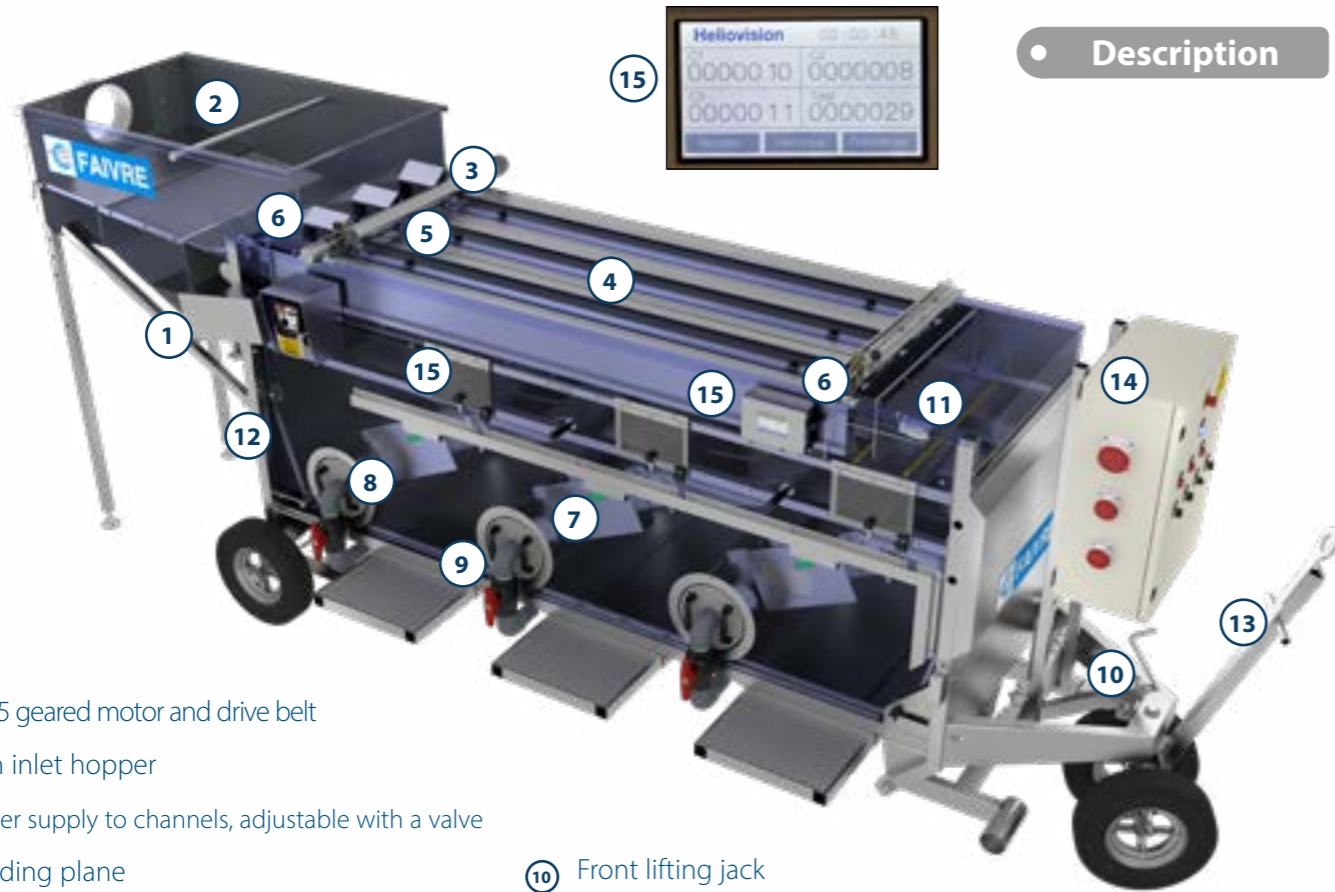


Fish grader IP 67 electric panel.



Accurate adjustment vernier.

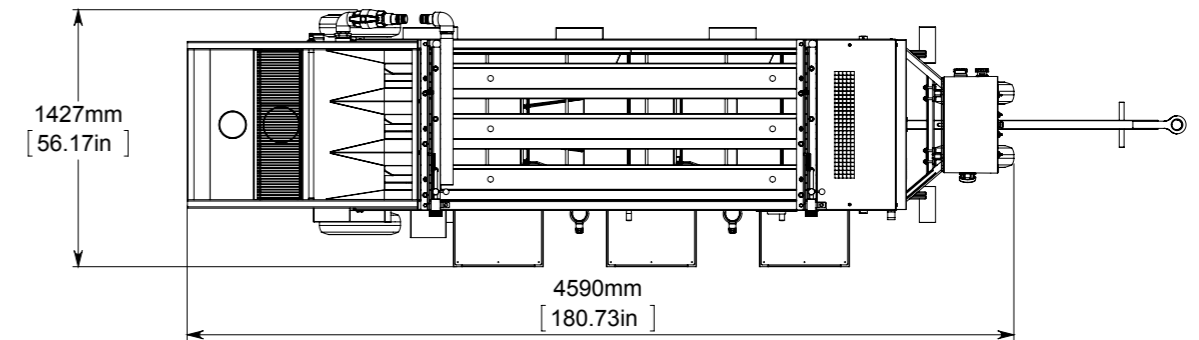
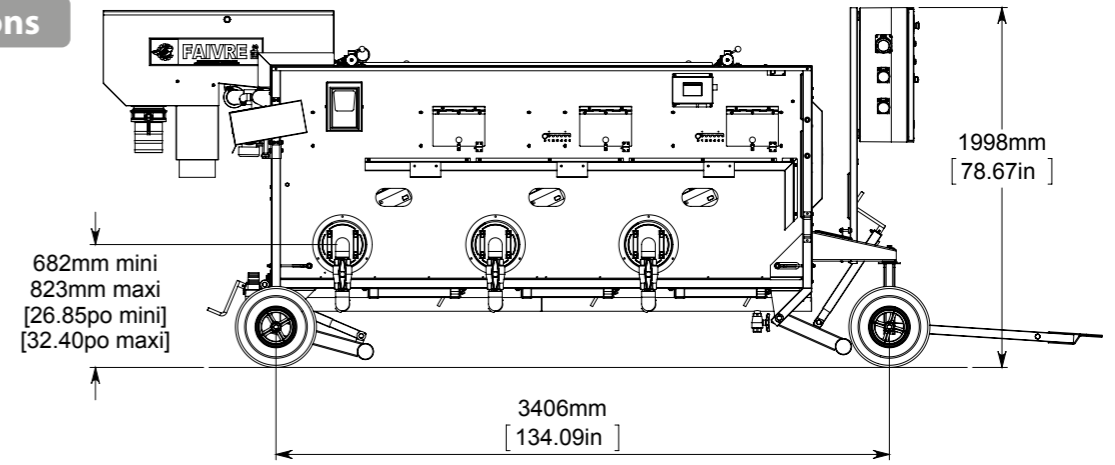




Description

Specifications

- ① IP 55 geared motor and drive belt
- ② Fish inlet hopper
- ③ Water supply to channels, adjustable with a valve
- ④ Grading plane
- ⑤ Water ramp into each channel for watering fish
- ⑥ Channel adjustment vernier (x2)
- ⑦ Receiving hoppers
- ⑧ Fish counters
- ⑨ Fish outlets
- ⑩ Front lifting jack
- ⑪ Fish conveying fingers
- ⑫ Conveying finger drive chain
- ⑬ Towbar
- ⑭ Control box
- ⑮ Fish counters touch screen display



Grader model	HELIOVISION 50		
Counters configuration	3 Pescavision 50	2 Pescavision 50 1 Pescavision 30	1 Pescavision 50 2 Pescavision 30
Number of channels	3	3	3
Number of grades	3	3	3
Number of counters (Pescavision 30 or 50)	3	3	3
Channel length (mm)	2400	2400	2400
Max. channel opening (mm)	75	75	75
Number of exits and Ø (mm)	6 x Ø 250	6 x Ø 250	6 x Ø 250
Min. max. weight, Trout/Salmon	500 g - 2,5 kg	40 g - 2,5 kg	40 g - 2,5 kg
Hourly rate (tonnes/hour)	3 - 6	3 - 6	3 - 6
Weight (kg)	600	600	600
Weight (lbs)	1322	1322	1322
Motor power	0.55 kW	0.55 kW	0.55 kW
Recommended pump output (m³/h)	50	50	50
References (Sea water 316L)	TC50306	TC50216	TC50126



PESCAVISION

Led fish counter

Pescavision 50

Fish counters for counting Fish weight 300 g to 3,5kg

They offer an unparalleled ease of use.. They can be installed very quickly. The Pescavision 50 model cover counting needs extending from 300 g to 3,5 kg.

It is designed to be placed at the outlet of the grading machine, thereby centralizing the equipment and reducing the installation time. With this system, no more counters at the end of the pipes.

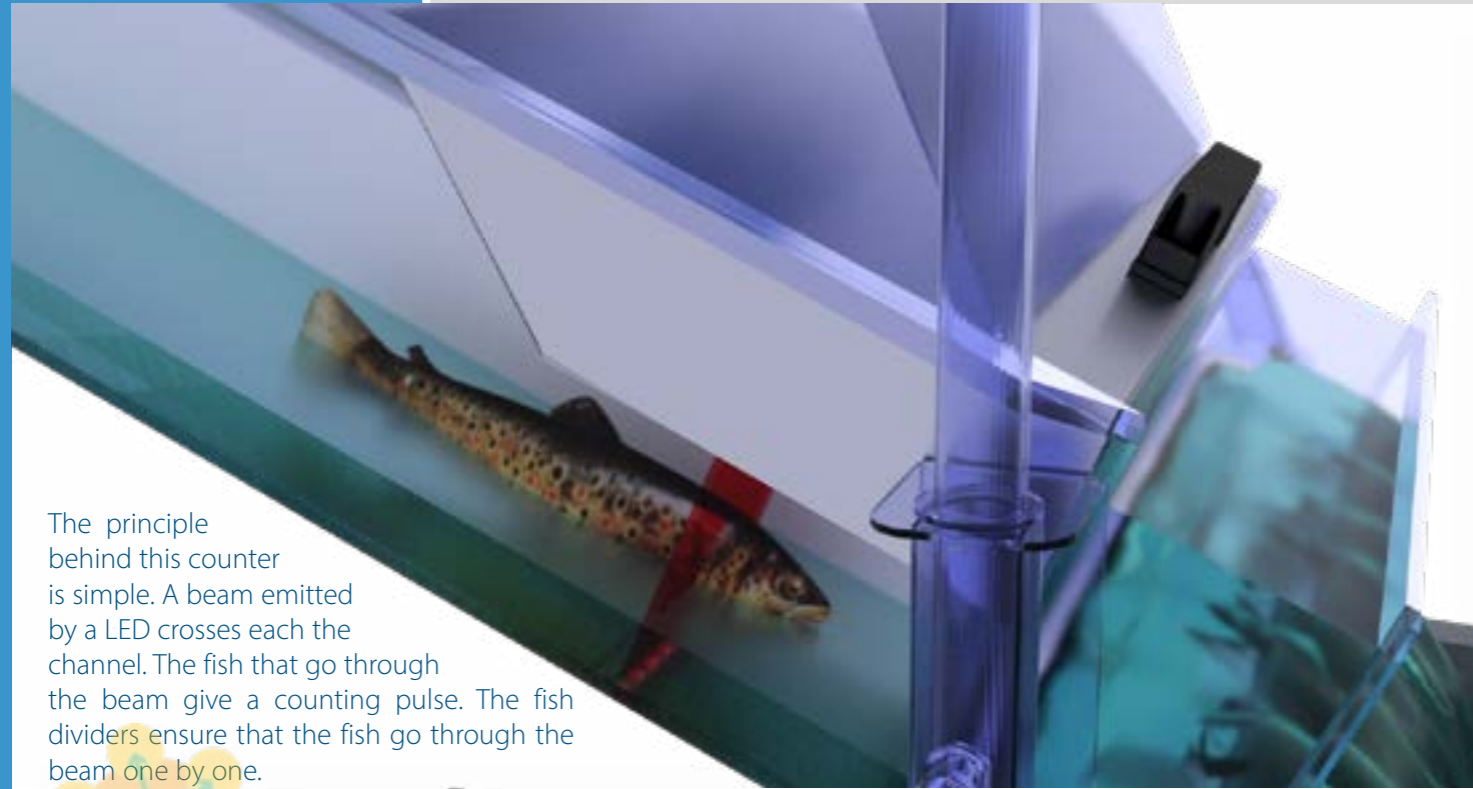
Our Pescavision count many fish species such as:

- Trout
- Salmon
- Tilapia
- Carps
- Perch
- Sea Bass
- Sea Bream
- Etc...



The Pescavision 50 as 2 counting channels





The principle behind this counter is simple. A beam emitted by a LED crosses each the channel. The fish that go through the beam give a counting pulse. The fish dividers ensure that the fish go through the beam one by one.



A NEW optional control box to centralize counting information up to 4 fish counters
Ref. : **PESCA4CO** (see page 156)

Easy to install on the farm with our new counting station with four (4) Pescavision fish counters and a reception tank.
Ref. : **PESCATROL**



Helios grader coupled with 3 Pescavision 50 fish counters and a reception tank

Reception tank for Pescavision :
- Ø 200 mm Ref. : **CBRC200**
- Ø 250mm Ref. : **CBRC250**



Easy to use !
Large touch screen and a counter display.
All informations in only one display :
- Number of fish for each counter
- Total number of fish
- History of the 5 last counting sessions.
- Counting time

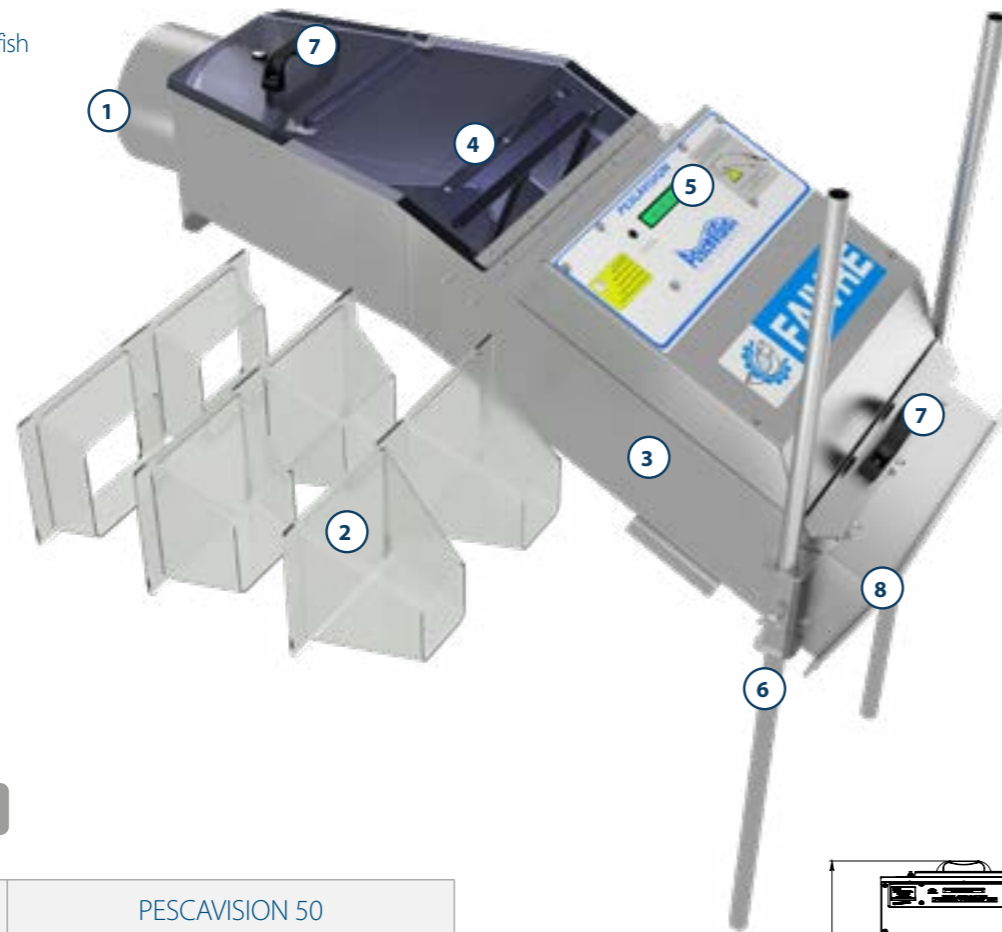


*Download the counting report on your PC with the USB key.

(*Control Box only)

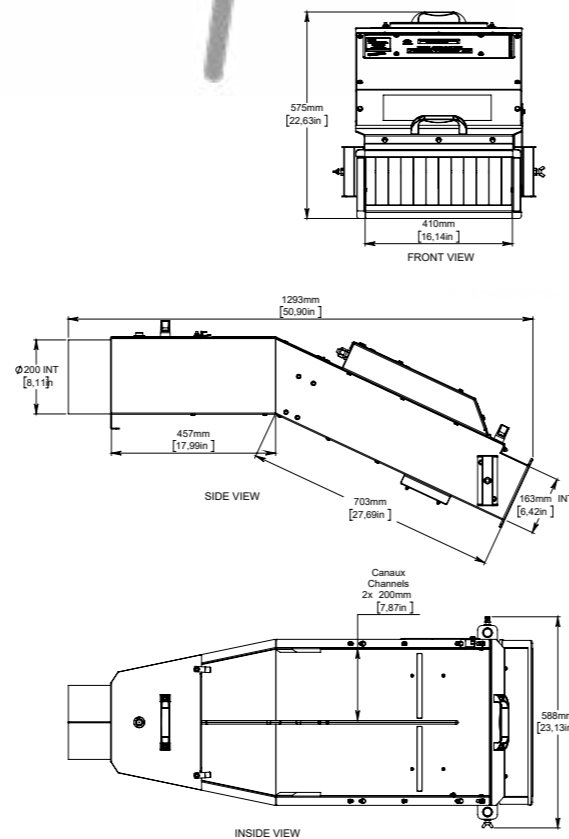
- ① Fish counter inlet female Ø 200 mm
- ② Fish dividers (Our fish counter is delivered with 3 fish dividers)
- ③ Fish counter body in marine grade aluminum
- ④ Channel access with cover
- ⑤ LCD display : number of fish
- ⑥ Counter feet
- ⑦ Carry handles
- ⑧ Fish counter outlet

Description



Specifications

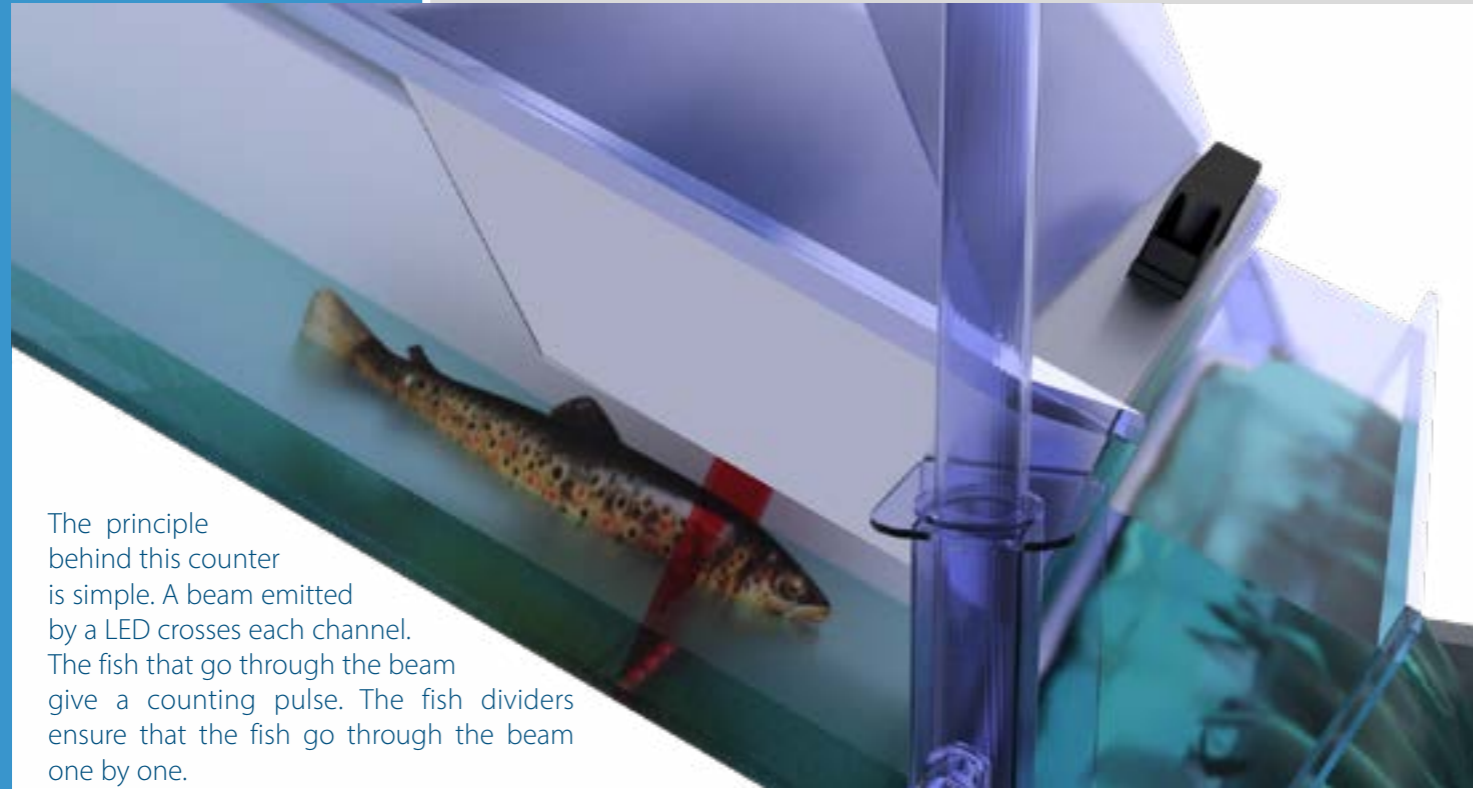
Fish counter model	PESCAVISION 50	
Fish species	Trout Salmon	Bass/Bream/ Tilapia
Fish weight	300 g to 3,5 kg	300 g to 1,5 kg
Capacity (maxi)	4 t/h	
Number of channels	2	
Channel width	200 mm	
Connection diameter	200 mm	
Accuracy	98 % - 100 %	
Weight	24 kg - 53 lbs	
Voltage 50/60 Hz	Delivered with 110-240 V/24 V power supply	
Reference (Fresh and sea water)	PESCA50	



PESCAVISION

Led fish counter





The principle behind this counter is simple. A beam emitted by a LED crosses each channel. The fish that go through the beam give a counting pulse. The fish dividers ensure that the fish go through the beam one by one.



400 g - 3,5 kg ● **Pescavision 500**
4 channels

For trout and salmon from 400 g up to 3,5 kg.



Designed to be placed at the outlet of a fish pump for loading trucks or fish transfer.

At the end of the counting operation, you can connect a USB key to save the counting report.



Counting report



Installation with Pescavac 50 Pescavision 500



Download the counting report on your PC with the USB key.



The double outlet will allow you to distribute evenly the fish in 2 different cages or raceways during the counting.



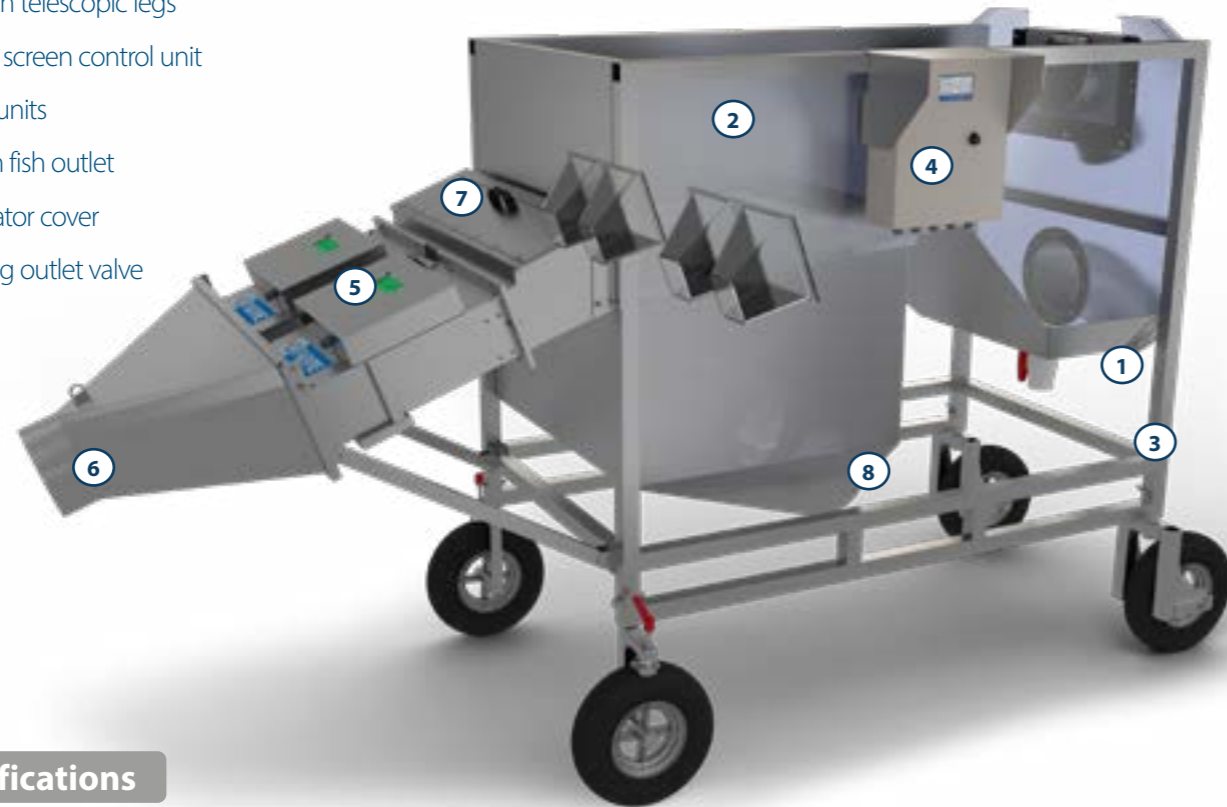
Pescavision		09 : 32 : 05	
C1	00113250	774	774
C2	00112520	Total	00225770
Q.t		View history View settings	

A large touch screen allows to check the counter and to display information.



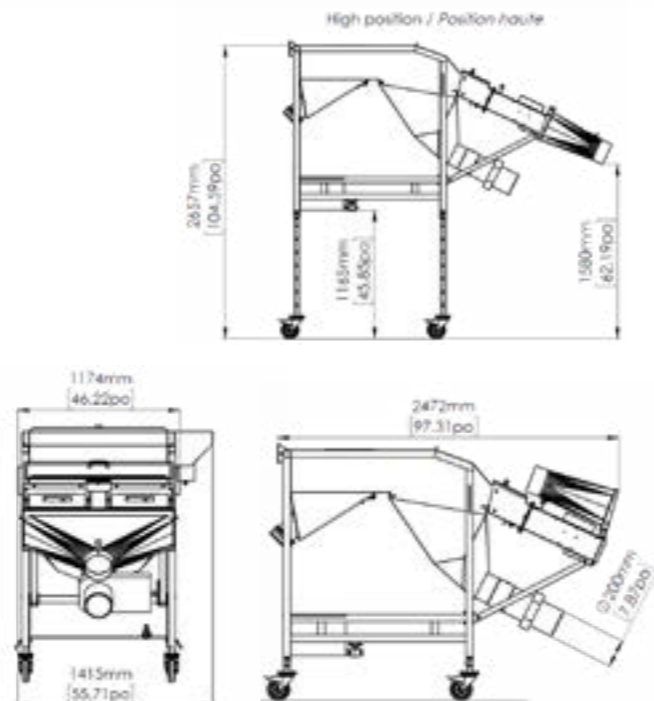
Description

- ① Fish counter inlet female Ø 200 mm - 8 in male camlock
- ② Fish counter body in marine grade aluminum
- ③ Frame with telescopic legs
- ④ 7 in Touch screen control unit
- ⑤ Counting units
- ⑥ Ø 250 mm fish outlet
- ⑦ Fish separator cover
- ⑧ Dewatering outlet valve



Specifications

Fish counter model	Pescavision 500	
Species	Trout Salmon Bass	Bream/Tilapia
Hourly flow (maxi) at 300g	10 - 12 tons/h	
Channel nbr	4	
Counting channel width	200 mm	
Inlet connection	8" male camlock (200 mm)	
Outlet connection	250 mm	
Fish weight	300 g to 3,5 kg	300 g to 1,5 kg
Dewatering connection	250 mm	
Accuracy	98% - 100%	
Weight	Approx. 250 kg - 550 lbs	
Voltage	1x110-240 V 50/60 Hz	
References	PEVIS500	



PESCAVISION
Led fish counter

PESCAMOTION
Propeller fish pump

HELIOS
Live fish grader



Grading Pack

2,5"

10 Series

6"

30 Series

6-8"

40 Series

8"

50 Series

8-10"

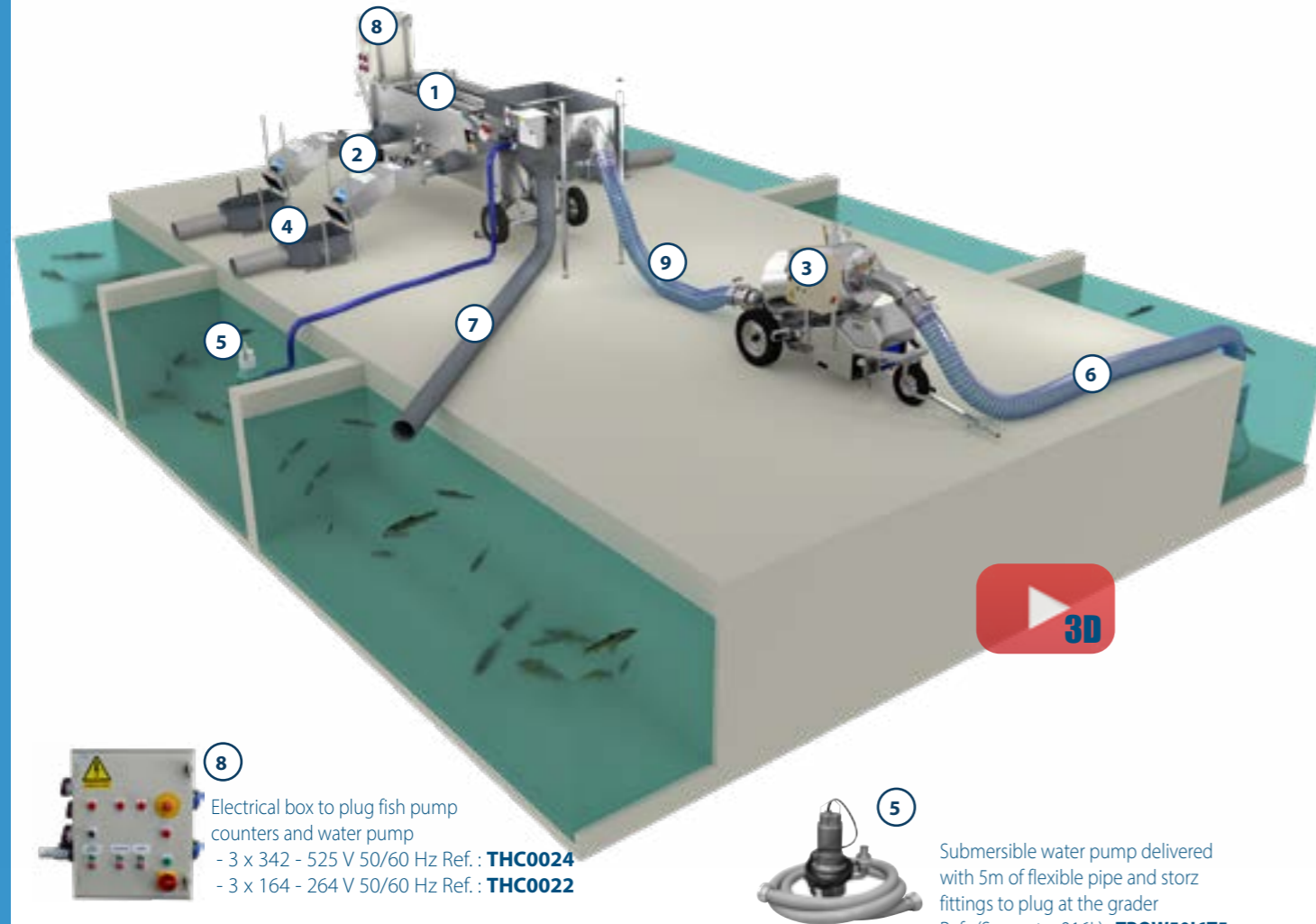
60 Series

Standard pack

Up to 3 to 4 tons/hour

- 3 sizes :
- 1 Pescavac 50 fish pump (up to 3,5 kg)
- 1 Helios 50 grader (10 g - 2,5 kg) / 3 channels
- 1 Water pump 50 m³/h
- 1 Control box
- 3 Pescavision 50 fish counters (400 g- 4,5 kg)
- 3 Reception tanks

Fresh and Sea water pack
Ref. : **HPST5**



8 Electrical box to plug fish pump counters and water pump
- 3 x 342 - 525 V 50/60 Hz Ref. : **THC0024**
- 3 x 164 - 264 V 50/60 Hz Ref. : **THC0022**



5 Submersible water pump delivered with 5m of flexible pipe and storz fittings to plug at the grader
Ref. (Sea water 316L) : **TPOW50I6T5**

- 1 Helios fish grader 50
- 2 Pescavision 50 fish counters
- 3 Fish pump Pescavac 50 (Ø 200mm - 8 in)
- 4 4 Reception tanks outlet Ø 250 mm
- 5 Submersible water pump 50 m³/h
- 6 5 m suction flexible pipes Ø 200mm (8 in)
- 7 5 m dewatering pipes Ø 200 mm (8 in)
- 8 Grader Control box
- 9 5 m discharge flexible pipes Ø 200 mm (8 in)

Pescavac 50



Specifications

Fish pump model	PESCAVAC 50
Inlet Ø	(200 mm) 8" female cam - lock
Outlet Ø	(200 mm) 8" male cam - lock
Maximum discharge head	5 m (196 in)
Maximum suction head	4 m (157 in)
Fish size	Up to 3,5kg Trout/Salmon
Fish size	Up to 1kg Tilapias
Stainless steel quality	AISI 316L
Reference (Fresh and sea water)	PV0801

Pescavision 50



Specifications

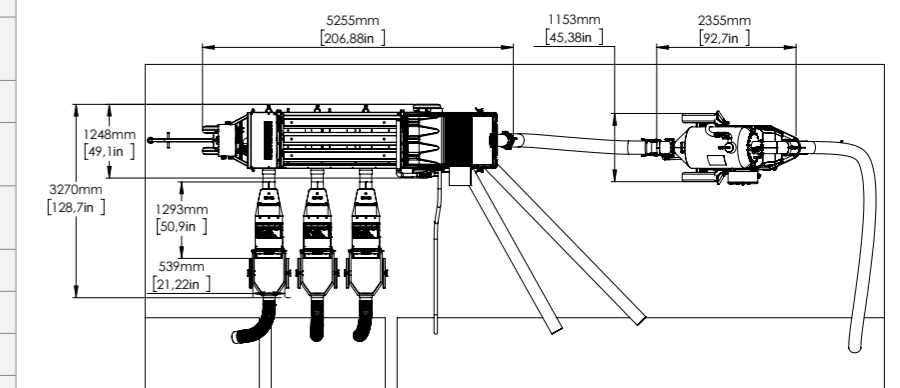
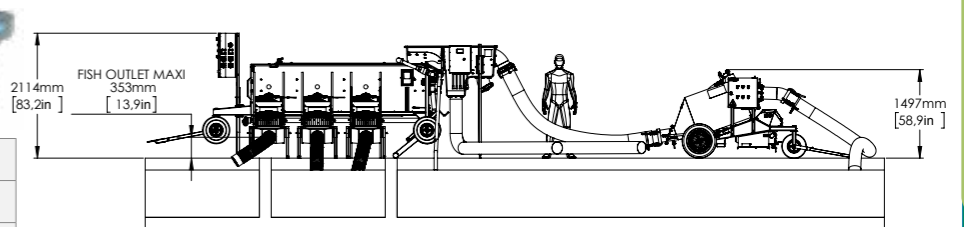
Fish counter model	PESCAVISION 50	
Fish species	Trout Salmon	Bass/Bream/Tilapia
Fish weight	300g to 3,5 kg	400 g to 1,5kg
Capacity (maxi)	4 t/h	4 t/h
Number of channels	2	2
Channel width	200 mm	200 mm
Connection diameter	200 mm	200 mm
Accuracy	98% - 100%	98% - 100%
Voltage	100 - 240V / 24 V	
Reference (Fresh and sea water)	PESCA50	

Helios 50



Specifications

Grader model	HELIOS 50
Nbr of channels	3
Nbr of size	3
Length of grading channels (mm)	2500
Max. channels opening (mm)	80
Nbr of outlets Ø (mm)	6 x Ø 250
Weight min. - max. Trout/Salmon	50 g - 2,5 kg
Weight min. - max. Tilapia	50 g - 1 kg
Hourly rate (tons/hour)	3 - 6
Grader weight (kg)	500
Height (m)	1,5
Advice pump flow (m ³ /h)	50
Reference (Sea water 316L)	TH5036



Power ratings and weights summary

Machines	Power	Weight
Helios fish grader 50	0,55 kW	500 kg - 1102 lbs
Fish pump Pescavac 50	5,3 kW	440 kg - 970 lbs
Fish counter (one unit)	0,05 kW	24 kg - 53 lbs
Water pump 50 m ³ /h	2,2 kW	30 kg - 66 lbs

All packs are given as an example and can be modified according to the customer needs

High capacity pack

Up to 5 to 7 tons/hour

3 sizes :

- 1 Pescamotion 50 fish pump (up to 2,5 kg)
- 1 Helios 500 grader (50 g - 2,5 kg) / 5 channels
- 1 Water pump 50 m³/h
- 1 Control box
- 3 Pescavision 50 fish counters (400 g- 3,5 kg)
- 3 Reception tanks

Fresh and Sea water pack
Ref. : **HPHC5**

40g to 2,5kg



Trout / Salmon

30g to 1kg



Tilapia

30g to 1kg



Sea Bream

40g to 1kg



Sea Bass



Pescamotion 50



Specifications

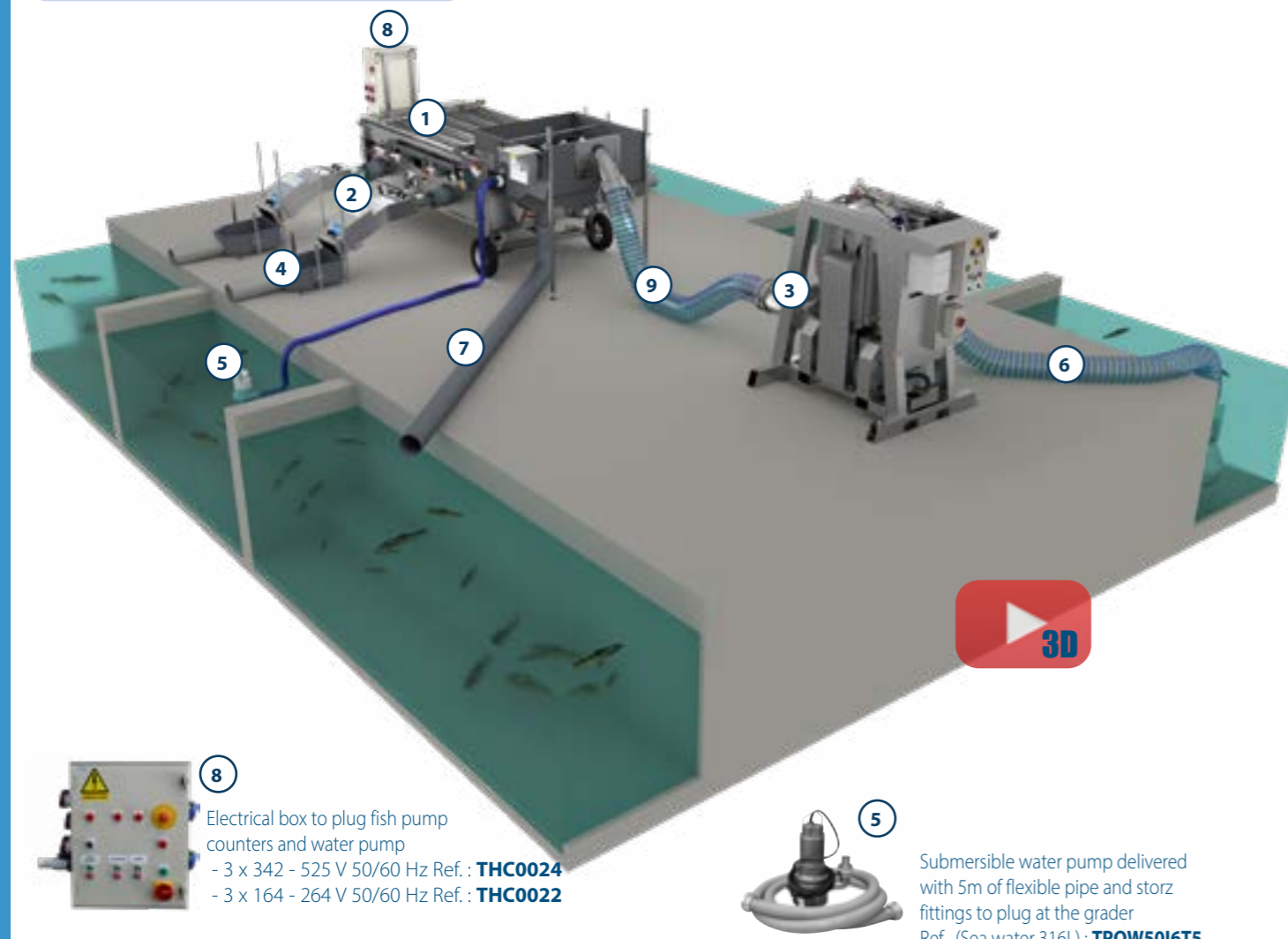
Fish pump model	PESCAMOTION 50
Inlet Ø	(250 mm) 10" female cam - lock
Outlet Ø	(250 mm) 10" male cam - lock
Maximum discharge head	6 m (236 in)
Maximum suction head	4 m (157 in)
Fish size	Up to 3kg Trout/Salmon
Fish size	Up to 1,5 kg Bass/Bream/Tilapia
Stainless steel quality	AISI 316L
Reference (Fresh and sea water)	PH1003

Pescavision 50



Specifications

Fish counter model	PESCAVISION 50	
Fish species	Trout Salmon	Bass/Bream/Tilapia
Fish weight	400 g to 3,5 kg	400 g to 1,5 kg
Capacity (maxi)	4 t/h	4 t/h
Number of channels	2	2
Channel width	200 mm	200 mm
Connection diameter	200 mm	200 mm
Accuracy	98% - 100%	98% - 100%
Voltage	100 - 240V / 24 V	
Reference (Fresh and sea water)	PESCA50	



8 Electrical box to plug fish pump counters and water pump
- 3 x 342 - 525 V 50/60 Hz Ref. : **THC0024**
- 3 x 164 - 264 V 50/60 Hz Ref. : **THC0022**



5 Submersible water pump delivered with 5m of flexible pipe and storz fittings to plug at the grader
Ref. (Sea water 316L) : **TPOW50I6T5**

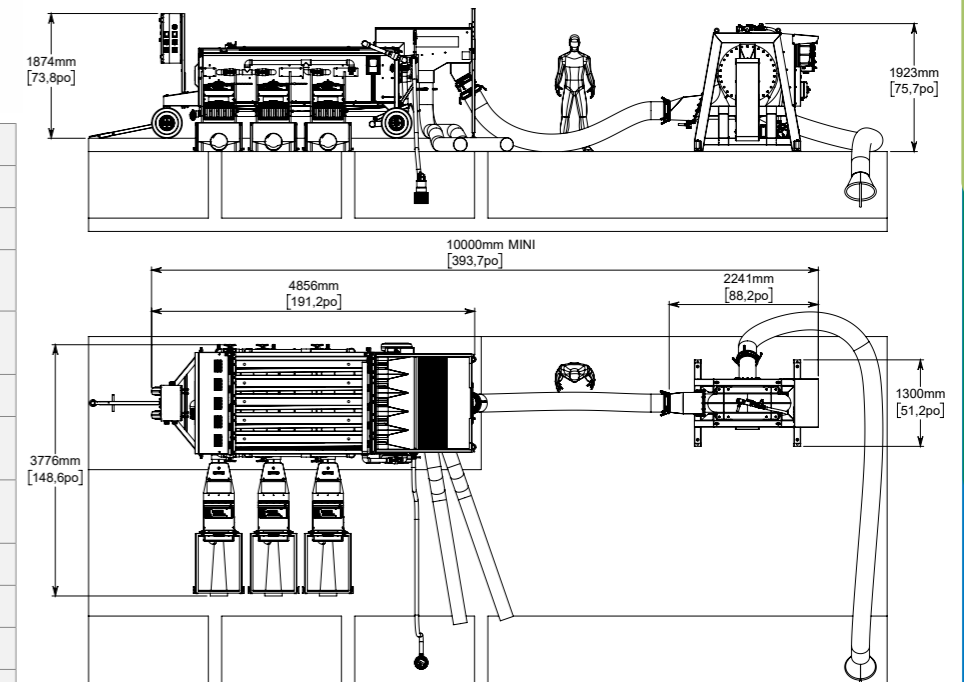
- 1 Helios 500 fish grader
- 2 Pescavision 50 fish counters
- 3 Fish pump Pescamotion 50 (Ø 200mm - 8 in)
- 4 4 Reception tanks outlet Ø 250 mm
- 5 Submersible water pump 50 m³/h
- 6 5 m suction flexible pipes Ø 200mm (8 in)
- 7 5 m dewatering pipes Ø 200 mm (8 in)
- 8 Grader Control box
- 9 5 m discharge flexible pipes Ø 200 mm (8 in)

Helios 500



Specifications

Grader model	HELIOS 500
Nbr of channels	5
Nbr of size	3
Length of grading channels (mm)	2500
Max. channels opening (mm)	80
Nbr of outlets Ø (mm)	6 x Ø 250
Weight min. - max. Trout/Salmon	50 g - 2,5 kg
Weight min. - max. Tilapia	50 g - 1 kg
Hourly rate (tons/hour)	5-9
Grader weight (kg)	1045
Height (m)	1,5
Advice pump flow (m ³ /h)	50
Reference (Sea water 316L)	TH5056



Power ratings and weights summary

Machines	Power	Weight
Helios fish grader 500	0,55 kW	500 kg - 1102 lbs
Fish pump Pescamotion 50	18,5 kW	440 kg - 970 lbs
Fish counter (one unit)	0,05 kW	24 kg - 53 lbs
Water pump 50 m ³ /h	2,2 kW	30 kg - 66 lbs

All packs are given as an example and can be modified according to the customer needs

600

Series
Harvesting
Equipment

• Salmon / Trout



..... 400 g to 4500 g

• Tilapia



..... 400 g to 1500 g



• Pescavac 60
Page 143



• Helios 60 / 600
Page 149



• Pack Standard 60
Page 158



• Pack High Capacity 60
Page 160

PESCAVAC

Vaccum fish pump

10"



- 10 Series 2,5"
- 30 Series 6"
- 40 Series 6-8"
- 50 Series 8"
- 60 Series 8-10"

**Vacuum Fish Pump
PESCAVAC**

Pescovac 60

- Key benefits :
- ✓ High capacity 10 - 12 tons/hour
 - ✓ Handle fish up to 4,5kg (Salmonidae)
 - ✓ Discharge height 5m
 - ✓ Suction height 4m

FAIVRE company has developed a new model of Vacuum Fish Pump called "Pescovac 60 (10)" to transfer live fish up to 4,5kg (Salmonidae). High quality construction in Stainless steel. Easy to handle with its compact frame with large wheels.



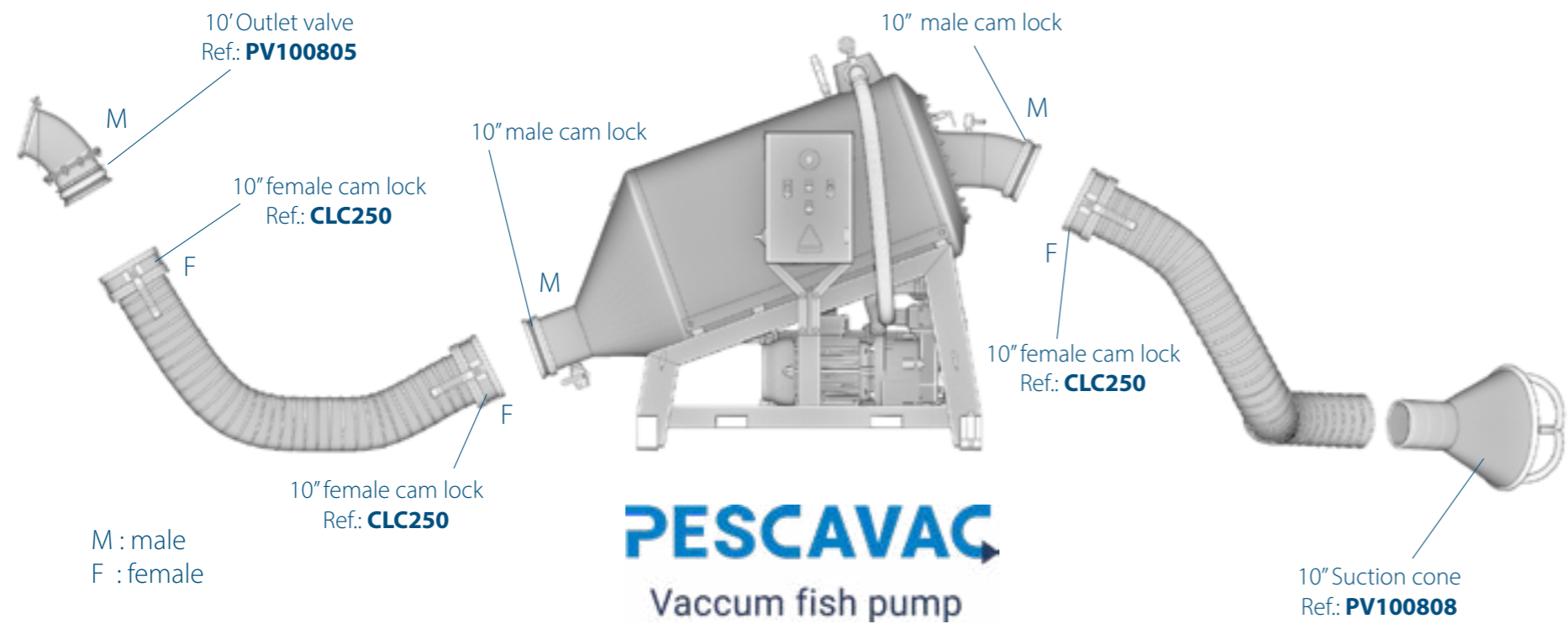
Exclusive



Electrically operated 4 - way valve allowing precise control of the closing speed of the valve. Your fish are safely transported.



Simple front panel electrical box for an easy control of the vacuum pump.



Optional : Hopper with water separator for loading tanks Ref. : **TD1001V**

Fish Pump

2,5"

10 Series

6"

30 Series

6-8"

40 Series

8"

50 Series

8-10"

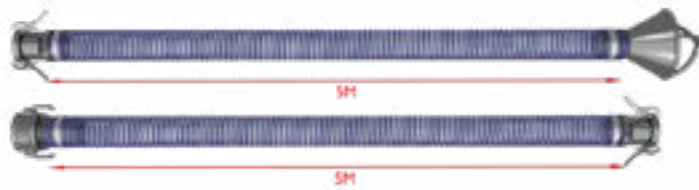
60 Series

Summary ▲ Range Products ▲

- ① Electrical control box
- ② Ø 250 mm (10») male camlock intake pipe
- ③ AISI 316L stainless steel vacuum pump
- ④ AISI 316L stainless steel frame
- ⑤ Stainless steel pump tank
- ⑥ Ø 250 mm (10») male camlock discharge pipe
- ⑦ Fork lift handle system
- ⑧ AISI 316L stainless steel Suction cone
- ⑨ Ø 250 mm (10") Female camlock
- ⑩ Ø 250 mm (10") Outlet valve



Description



Starter kit : 2 kits of 5 meters of 10" flexible pipes camelock MF and 10" Suction cone Male
Ref.: **PP1001P**



Specifications

Fish pump model	PESCAVAC 60
Vacuum pump motor	11 kW
Inlet Ø	(250 mm) 10" male
Outlet Ø	(250 mm) 10" male
Maximum discharge head	5 m (196 in)
Maximum suction head	4 m (157 in)
Fish size	Up to 4,5 kg (Trout/Salmon)
Fish size	Up to 1,5 kg (Tilapia)
Weight	750 kg - 1650 lbs
Stainless steel quality	AISI 316L
Reference (Fresh and sea water)	PV1001

OPTIONS

Dewat 60 (10")

The water separator hopper is an important part of the proper functioning of a fish pump.
To be effective, the water separating hopper must have a particularly studied design.
For this, we used a digital simulation.
Ref. : **TD1001V**



10" suction cone with conical bevel inlet and 90° elbow
Ref. : **PT100803**

10" suction cone with conical bevel inlet
Ref. : **PT100807**

• **OPTIONS**

Seawater pump

For sea water a stainless steel housing liquid ring pump is available



Semi - transparent, flexible hoses

Ø 10" (Ø 250 mm) pipes with male and female cam lock fitted at each end of the pipe
Ref.: **PP1005** long. 5 m



Parts for fish pump 10"

- 10" Cam lock male (Aluminum) Ref.: **CLEA250**
- 10" Cam lock female (Aluminum) Ref.: **CLCA250**
- 10" Suction cone standard Ref.: **PV100803**
- 10" Outlet valve (for grader universal dewatering hopper) Ref.: **PV100801**



HELIOS

Live fish grader



Fish Pump

2,5"

10 Series

30 Series

6"

40 Series

6-8"

50 Series

8"

60 Series

8-10"

60

● **Helios 60** (2 ch.)

● **Helios 600** (3 ch.)

HELIOS 60 - 600 grader

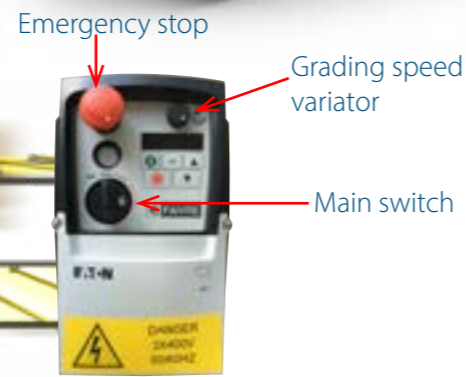
250 g - 3,5 kg
2 or 3 channels
3 sizes

General characteristics :

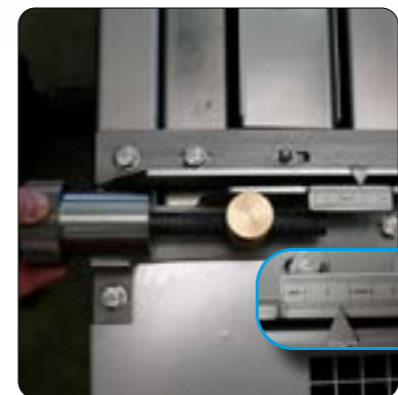
- 2 grading channels Helios 60.
- 3 grading channels Helios 600.
- 3 receipt hoppers with outlet on each side of the machine.
- Electronic adjustable grading speed
- Lifting jack.
- Made of aluminium AISI 316L Stainless steel.

Main advantages :

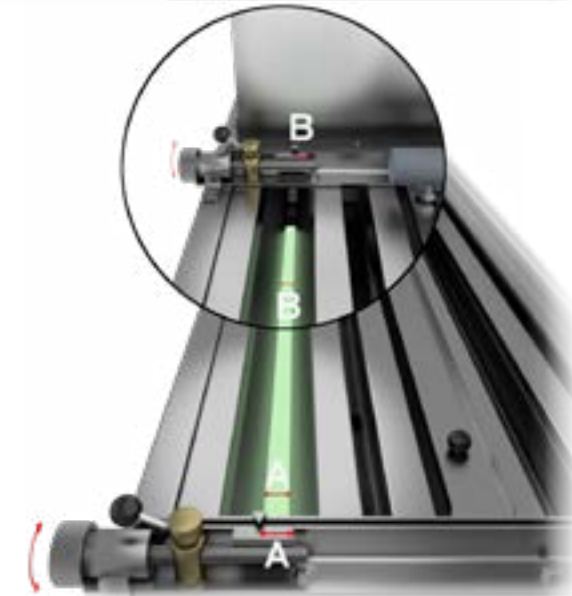
- ✓ A grader fitted with the performing Sps Technology made for a high speed grading and without injury.
- ✓ A machine entirely made of aluminium and Stainless steel.
- ✓ An easy and perfect adjustment thanks to its lifting jack.
- ✓ An elaborate watering system fitted with adjustment gates.



Fish grader IP 67 electric panel.



Accurate adjustment vernier.



Fish Grader
 10 Series 2,5"
 30 Series 6"
 40 Series 6-8"
 50 Series 8"
 60 Series 8-10"

Summary ▲ Range Products ▲



Description

- ① IP 55 geared motor and drive belt
- ② Fish inlet hopper
- ③ Water supply to channels, adjustable with a valve
- ④ Grading plane
- ⑤ Water ramp into each channel for watering fish
- ⑥ Chanel adjustment vernier (x2)
- ⑦ Receiving hoppers
- ⑧ Fish outlets
- ⑨ AISI 316L Stainless steel frame
- ⑩ Stainless steel conveying finger drive chain
- ⑪ Fish conveying fingers
- ⑫ Towbar
- ⑬ Rear lifting device
- ⑭ Inflatable tire Ø 400 mm (16 in)

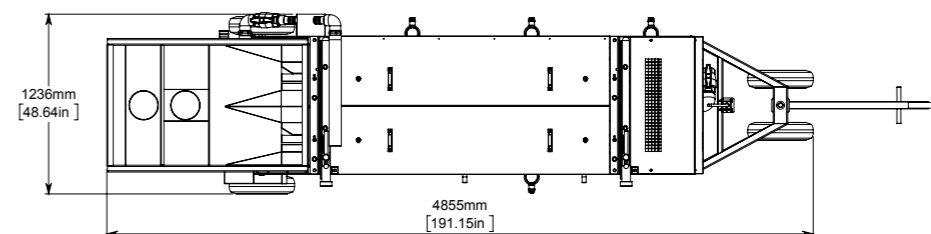
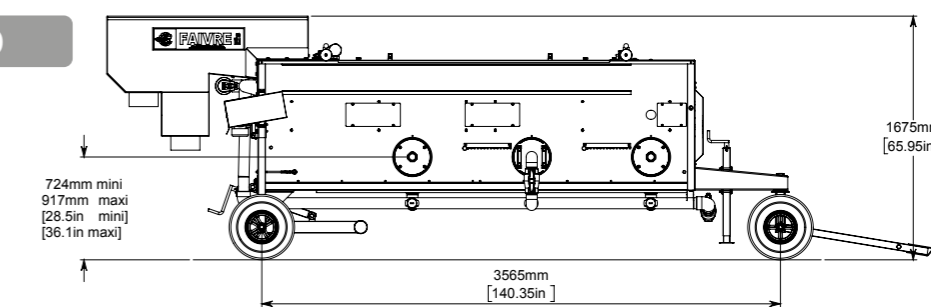
Specifications

Grader model	HELIOS 60	HELIOS 600
Nbr of channels	2	3
Nbr of sizes	3	3
Length of grading channels(mm)	2400	2400
Max. channels opening (mm)	120	120
Nbr of outlets Ø (mm)	6 x Ø 250	6 x Ø 315
Weight min. - max. (Trout/Salmon)	250 g - 3,5 kg	250 g - 3,5 kg
Weight min. - max. (Bass/Bream/Tilapia/Carp)	250 g - 1,5 kg	250 g - 1,5 kg
Hourly rate (tons/hour)	4 - 6	5 - 8
Grader weight (kg)	530	660
Height (m)	1,5	1,5
Motor power	0,55 kW	0,55 kW
Advice pump flow (m ³ /h)	50	60
Reference (Sea water 316L)	TH6026	TH6036

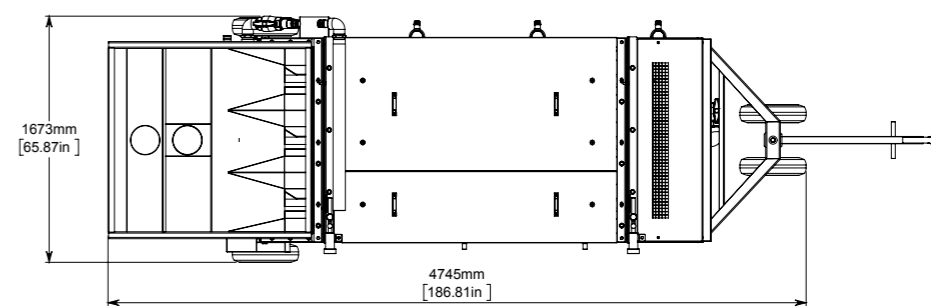
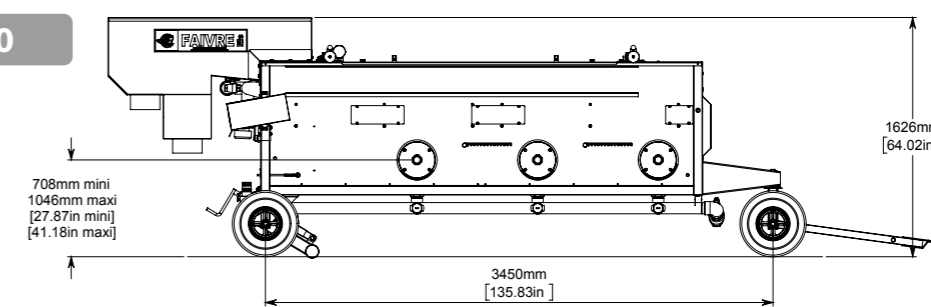
The grader motors are available in 4 supply voltages (add the desired voltage reference to the grader reference for your requests):

- Three phases 342 - 528 V 50/60 Hz Ref. : **400T**
- Three phases 180 - 264 V 50/60 Hz Ref. : **230T**
- Single phase 180 - 264 V 50/60 Hz Ref. : **230M**
- Single phase 110 V 50/60 Hz Ref. : **110M**

Helios 60



Helios 600



OPTIONS

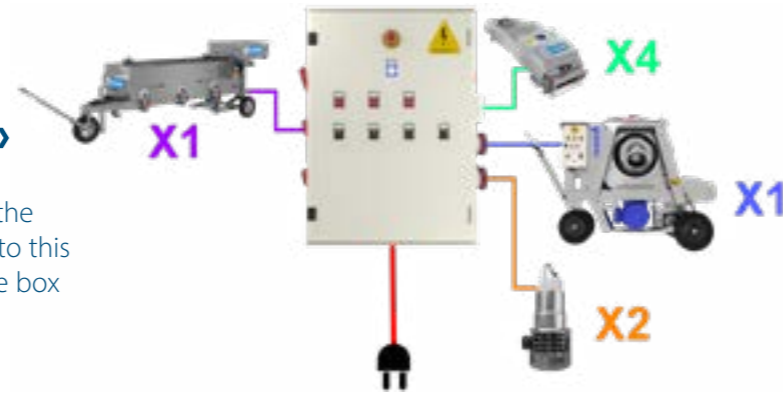
Control box «Packcontrol»

This option considerably reduces the cables left on the ground. Each equipment can be directly connected to this electrical cabinet, which is attached to the sorter. The box allows you to connect and control:

- 1 grader
- 2 water pumps
- 1 fish pump
- 4 counters.

The front panel switches allow each device to be turned on or turned off separately. Thermal circuit breakers ensure the protection of each piece of equipment. A differential switch protects the operators.

- Ref. :
- 3 x 342 - 525 V 50/60 Hz inlet voltage Ref. : **THC0024**
 - 3 x 164 - 264 V 50/60 Hz inlet voltage Ref. : **THC0022**
 - 1 x 230 V 50/60 Hz inlet voltage Ref. : **THC004***
- * water pump max. 2,2kW with a single phase



Universal dewatering hopper

This universal dewatering hopper allows you to connect a Pescavac pump or an elevator or a Pescamotion pump

- For Helios 60 grader :
- Ø fish pump pipe 10"
- Ref. : **TH602DEWU**

- For Helios 600 grader :
- Ø fish pump pipe 10"
- Ref. : **TH603DEWU**



Water pump for grader

A suitable water pump must be connected to the grader in order to grade the fish without damage. We can offer you a Stainless steel submersible pump adapted to your machine. This pump has a Stainless steel strainer to suck the fish, it is delivered with 2.5 m of flexible hose and fittings adapted to the grader.

- For Helios 60 - 600 graders
- Pump flow 50m³/h supply voltage 3 x 400 V 50 Hz Ref. : **TPOW50I6T5**

- Accessories
- 5 m flexible hose Ø 60 mm (2,5 ") and storz fitting plus 90 ° Stainless steel elbow to connect the pump to the grader Ref. : **TPOHLINK60**

60 Hz pump on request



Adapters :

The inlet of the dewatering hopper of the Helios 60 - 600 graders is 10" (250mm) male cam lock. If you want to connect a 8" hose to this hopper you need an adapter.

- To connect an 8" (200 mm) pipe to the dewatering hopper Helios 60 - 600
- 10" female to 8" male aluminum reduction Ref. : **PI100101**





Harvesting Grading pack

Harvesting equipment
60 Series

PESCAVISION
Led fish counter

PESCAMOTION
Propeller fish pump

HELIOS
Live fish grader



Grading Pack

2,5"

10 Series

6"

30 Series

6-8"

40 Series

8"

50 Series

8-10"

60 Series

Standard pack

Up to 3 to 4 tons/hour

3 sizes :

- 1 Pescavac 60 fish pump (up to 4,5kg)
- 1 Helios grader 60 (100g - 3,5kg) /2 channels
- 1 Water pump 50m³/h
- 1 Control box
- 1 Pescavision 30 fish counters (40g - 1kg)
- 2 Pescavision 50 fish counters (400g - 4,5kg)
- 3 Reception tanks

Fresh and Sea water pack
Ref. : **HPST6**

250g to 3,5kg

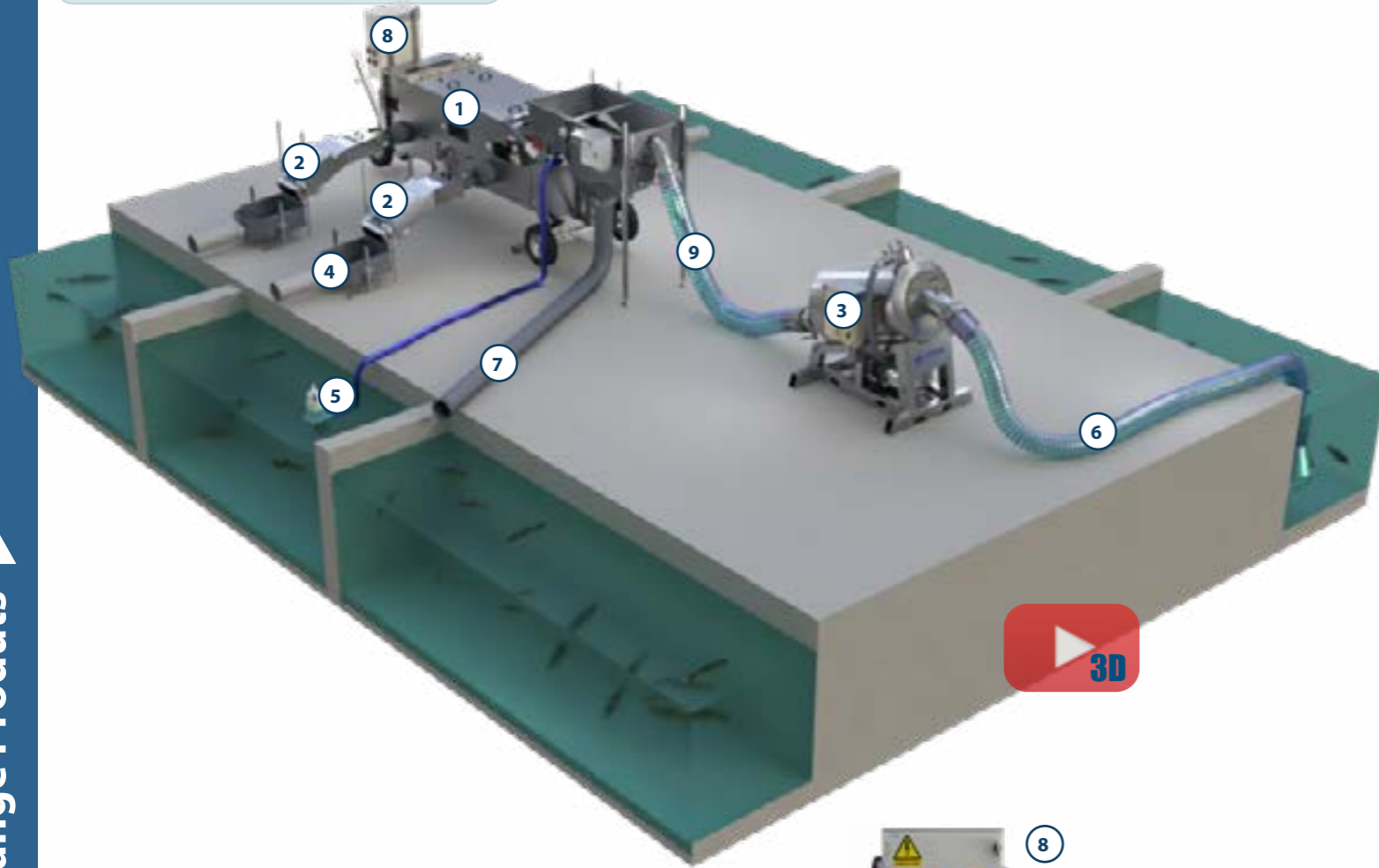


Trout / Salmon

250g to 1,5kg



Tilapia



- Helios fish grader 60
- Pescavision 50 fish counters
- Fish pump Pescavac 50 (Ø 200mm - 8 in)
- 4 Reception tanks outlet Ø 250 mm
- Submersible water pump 50 m³/h
- 5 m suction flexible pipes Ø 200mm (8 in)
- 5 m dewatering pipes Ø 200 mm (8 in)
- Grader Control box
- 5 m discharge flexible pipes Ø 200 mm (8 in)



8 Electrical box to plug fish pump counters and water pump
Ref. (3 x 400v 50/60 Hz) : **THC002**
Ref. (3x230v 50/60 Hz) : **THC006**



5 Submersible water pump delivered with 5m of flexible pipe and storz fittings to plug at the grader
Ref. (Sea water 316L) : **TPOW5016T5**

Pescavac 60



Specifications

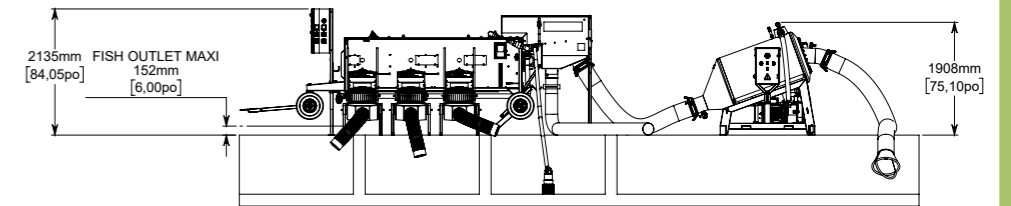
Fish pump model	PESCAVAC 60
Inlet Ø	(250 mm) 10" female cam lock
Outlet Ø	(250 mm) 10" male cam lock
Maximum discharge head	5 m (196 in)
Maximum suction head	4 m (157 in)
Fish size	Up to 4,5 kg (Trout/Salmon)
Fish size	Up to 1,5 kg (Tilapia)
Stainless steel quality	AISI 316L
Reference (Fresh and sea water)	PV1001

Pescavision 30 & 50



Specifications

Fish counter model	PESCAVISION 30		PESCAVISION 50	
	Trout Salmon	Tilapia	Trout Salmon	Tilapia
Fish species	Trout Salmon	Tilapia	Trout Salmon	Tilapia
Fish weight	40 g to 1 kg	40 g to 400 g	400 g to 3,5 kg	400 g to 1,5 kg
Capacity (maxi)	3 t/h	3 t/h	4 t/h	4 t/h
Number of channels	4	4	2	2
Channel width	100 mm	100 mm	200 mm	200 mm
Connection diameter	160 mm	160 mm	200 mm	200 mm
Accuracy	98% - 100%	98% - 100%	98% - 100%	98% - 100%
Voltage	100 - 240V / 24 V		100 - 240V / 24 V	
Reference (Fresh and sea water)	PESCA30		PESCA50	

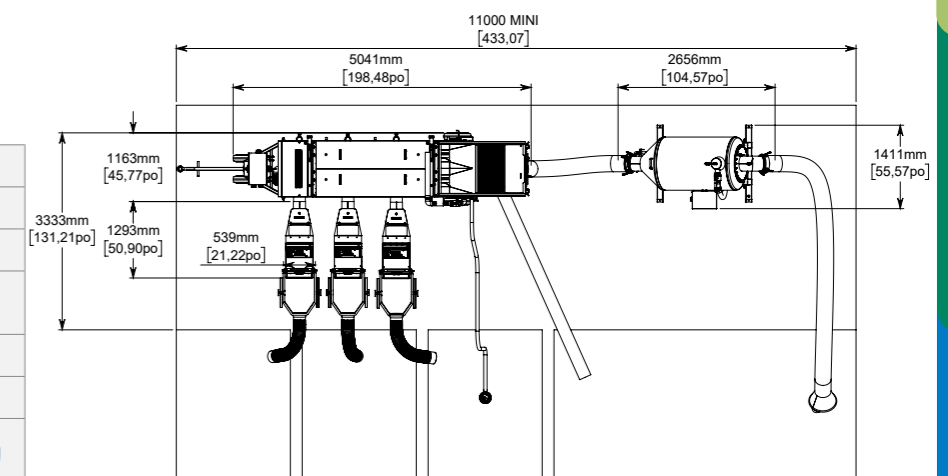


Helios 60



Specifications

Grader model	HELIOS 60
Nbr of channels	2
Nbr of size	3
Length of grading channels(mm)	2500
Max. channels opening (mm)	18 to 120
Nbr of outlets Ø (mm)	6 x Ø 250
Weight min. - max. Trout/Salmon	250 g - 3,5 kg
Weight min. - max. Tilapia	250 g - 1,5 kg
Hourly rate (tons/hour)	3 - 4
Grader weight (kg)	500
Height (m)	1,65
Advice pump flow (m ³ /h)	65
Reference (Sea water 316L)	TH6026



Power ratings and weights summary

Machines	Power	Weight
Helios fish grader 60	0,55 kW	500 kg - 1102 lbs
Fish pump Pescavac 60	11 kW	440 kg - 970 lbs
Fish counter (one unit)	0,05 kW	24 kg - 53 lbs
Water pump 50 m ³ /h	2,2 kW	30 kg - 66 lbs

All packs are given as an example and can be modified according to the customer needs

High capacity Pack

Up to 4 to 6 tons/hour

3 sizes :

- 1 Pescavac 60 fish pump (up to 4,5kg)
- 1 Helios grader 600 (250g - 3,5kg) / 3 channels grader
- 1 Water pump 50m3/h
- 1 Control box
- 1 Pescavision 30 fish counters (40g - 1kg)
- 2 Pescavision 50 fish counters (400g - 4,5kg)
- 3 Reception tanks

Fresh and Sea water pack
Ref.: **HPHC6**

250g to 3,5kg



Trout / Salmon

250g to 1,5kg



Tilapia



Pescavac 60



Specifications

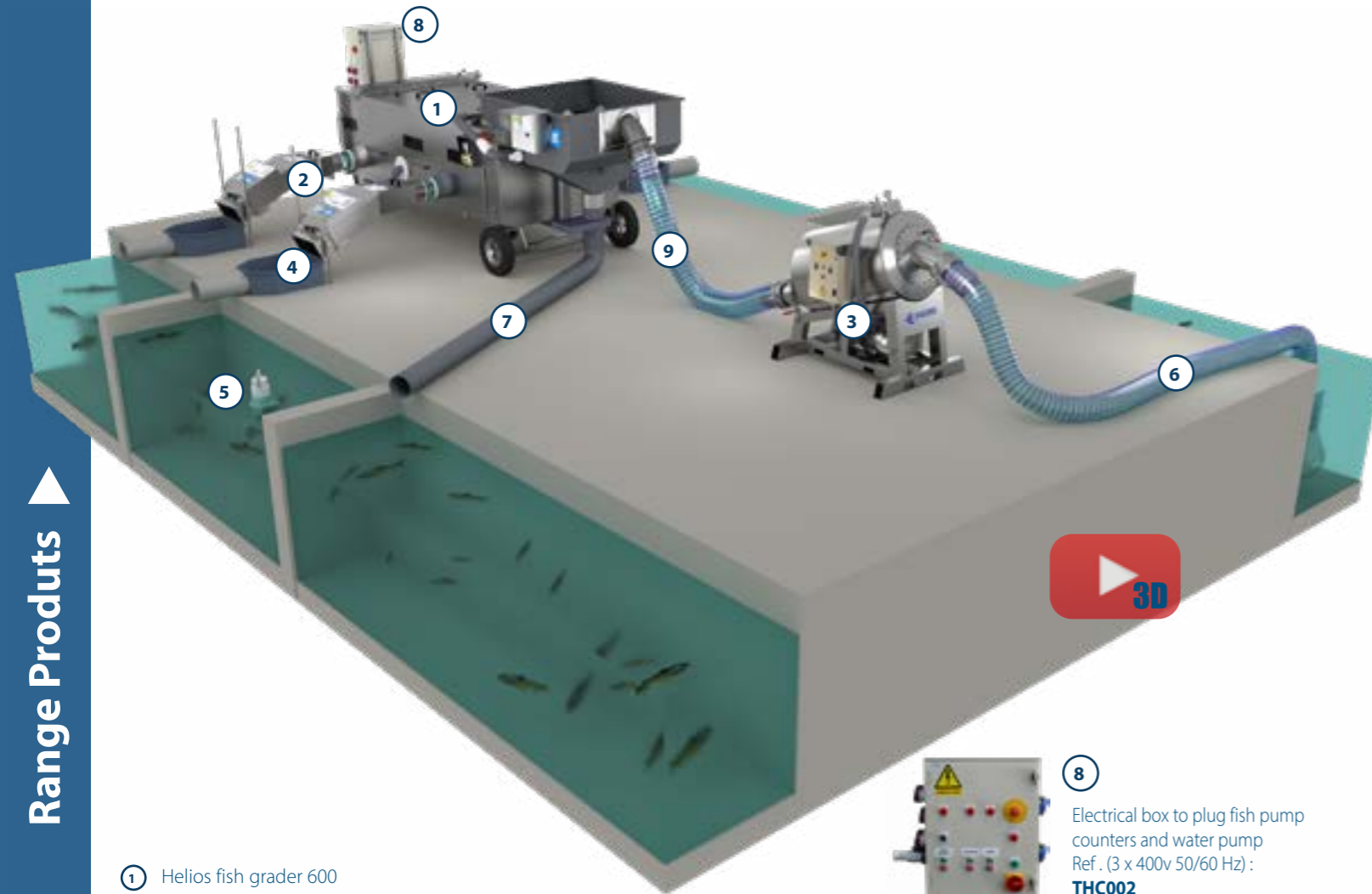
Fish pump model	PESCAVAC 60
Inlet Ø	(250 mm) 10" female cam lock
Outlet Ø	(250 mm) 10" male cam lock
Maximum discharge head	5 m (196 in)
Maximum suction head	4 m (157 in)
Fish size	Up to 4,5 kg (Trout/Salmon)
Fish size	Up to 1,5 kg (Tilapia)
Stainless steel quality	AISI 316L
Reference (Fresh and sea water)	PV1001

Pescavision 30 & 50



Specifications

Fish counter model	PESCAVISION 30		PESCAVISION 50	
	Trout Salmon	Tilapia	Trout Salmon	Tilapia
Fish species	Trout Salmon	Tilapia	Trout Salmon	Tilapia
Fish weight	40 g to 1 kg	40 g to 400 g	400 g to 3,5 kg	400 g to 1,5 kg
Capacity (maxi)	3 t/h	3 t/h	4 t/h	4 t/h
Number of channels	4	4	2	2
Channel width	100 mm	100 mm	200 mm	200 mm
Connection diameter	160 mm	160 mm	200 mm	200 mm
Accuracy	98% - 100%	98% - 100%	98% - 100%	98% - 100%
Voltage	100 - 240V / 24 V		100 - 240V / 24 V	
Reference (Fresh and sea water)	PESCA30		PESCA50	



8

Electrical box to plug fish pump counters and water pump
Ref. (3 x 400v 50/60 Hz) : **THC002**
Ref. (3x230v 50/60 Hz) : **THC006**

5



Submersible water pump delivered with 5m of flexible pipe and storz fittings to plug at the grader
Ref. (Sea water 316L) : **TPOW5016T5**

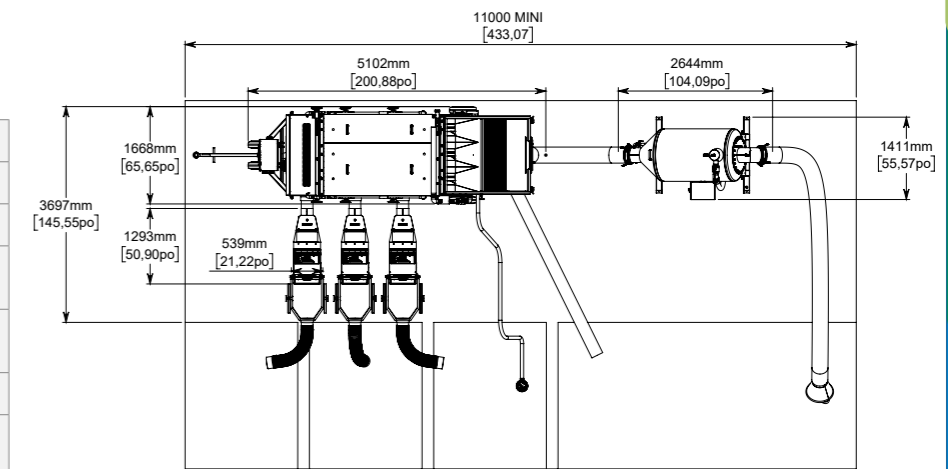
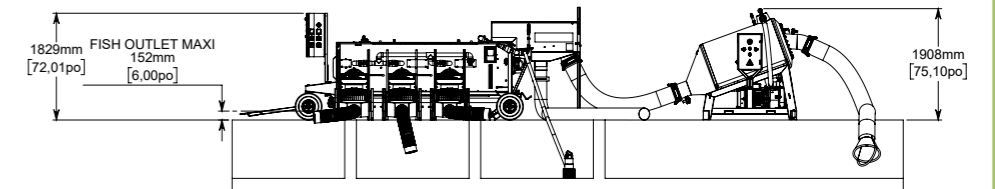
- 1 Helios fish grader 600
- 2 Pescavision 50 fish counters
- 3 Fish pump Pescavac 60 (Ø 250mm - 10 in)
- 4 4 Reception tanks outlet Ø 250 mm
- 5 Submersible water pump 50 m3/h
- 6 5 m suction flexible pipes Ø 250mm (10 in)
- 7 5 m dewatering pipes Ø 200 mm (8 in)
- 8 Grader Control box
- 9 5 m discharge flexible pipes Ø 250 mm (10 in)

Helios 600



Specifications

Grader model	HELIOS 600
Nbr of channels	3
Nbr of size	3
Length of grading channels(mm)	2500
Max. channels opening (mm)	18 to 120
Nbr of outlets Ø (mm)	6 x Ø 315
Weight min. - max. Trout/Salmon	250 g - 3,5 kg
Weight min. - max. Bass/Bream/Tilapia/Carp	250 g - 1,5 kg
Hourly rate (tons/hour)	4 - 6
Height (m)	1,65
Advice pump flow (m ³ /h)	65
Reference (Sea water 316L)	TH6036



Power ratings and weights summary

Machines	Power	Weight
Helios fish grader 600	0,55 kW	660 kg - 1455 lbs
Fish pump Pescavac 60	11 kW	440 kg - 970 lbs
Fish counter (one unit)	0,05 kW	24 kg - 53 lbs
Water pump 50 m3/h	2,2 kW	30 kg - 66 lbs

All packs are given as an example and can be modified according to the customer needs

OPTIONS

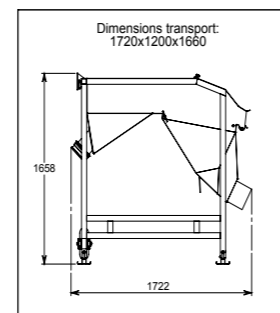
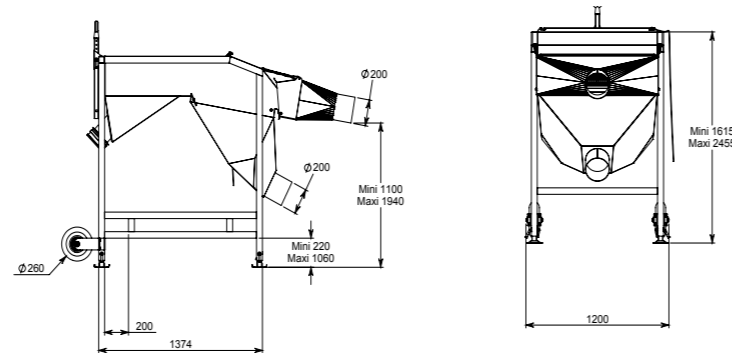
Water separator hopper

OPTIONS

Options



• Dewat 30 (6")



The water separator hopper is an important part of the functioning of the fish pump. To be effective, the water separating hopper must have a particularly studied design. For this, we used a digital simulation. There are 3 sizes of water separator:

- The Dewat 30 (5mm grid) suitable for the Pescamotion 30 pump and the Helios 30 grader. Delivered with Ø200mm slide gate valve and 2m flexible pipe Ref. : **TD0602**

- The Dewat 40 (10mm grid as standard and 5mm as option) suitable for the Pescamotion 40 or Pescavac 50 pump and the Helios 40 or 50 grader.

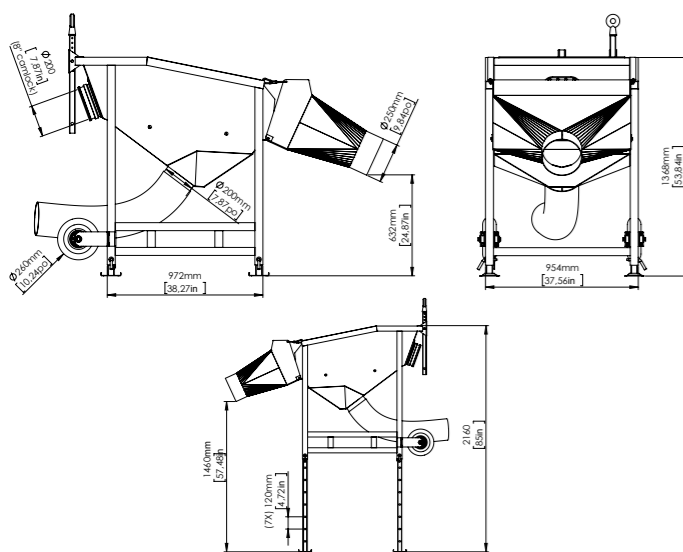
Delivered with Ø200mm slide gate valve and 2m flexible pipe Ref. : **TD0801**

- The Dewat 50 (10mm grid as standard)

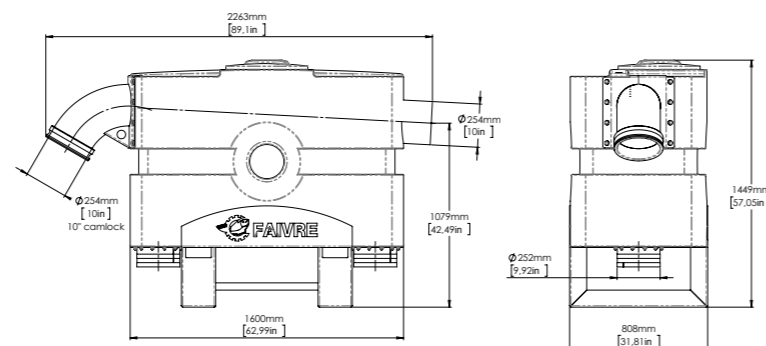
suitable for the Pescamotion 50 or Pescavac 60 pump and the Helios 50 or 60 grader. Delivered with 2m flexible pipe Ø250mm Ref. : **TD1001**



• Dewat 40 (8")



• Dewat 50 (10")



The Dewat 40 (8") hopper can be directly connected to a Pescamotion 40 (8") pump

The hopper can be positioned in height for loading trucks with a Pescavac 60 (10") vacuum pump.



Trolley for Pescavision counters

Thanks to a stainless steel trolley, it is possible to collect the counters on a single structure (4 counters max.). Thus, the installation and transport of the Pescavision counters on a farm are easier.

The centralizing box as well as the receiving bins can be attached to the trolley. Thanks to this, it is transformed as a complete and autonomous counting station.

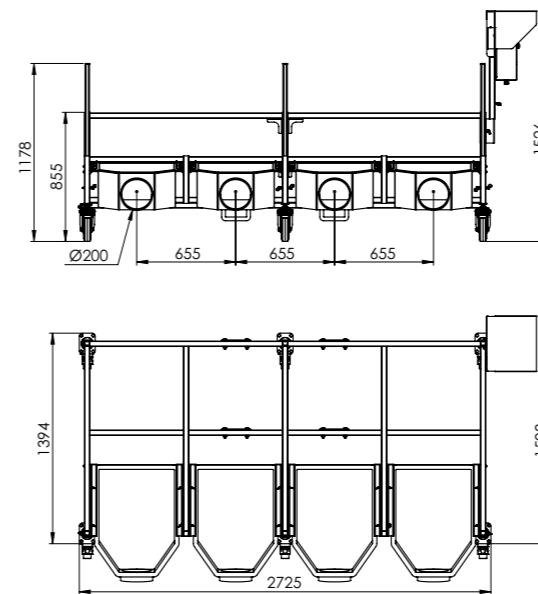
A single electric cable will be enough to supply the station, as well as the counters mounted on it.

Ref. : **PESCATROL**



The trolley makes it possible to collect the counters together on a Stainless steel frame with wheels.

Centralizing unit with touch screen



As an option, a centralizer box can be added to the counters, simply by connecting the counter cord to the centralizer box. A count report in PDF format can be exported to a USB key, in order to be transferred to your computer.

The touch screen displays the following information:

- Number of fish counted (for each counter)
- Total number of fish counted
- History of the last counts
- Counting time

Supply voltage 1 x 110 - 240 V 50/60 Hz
Ref. : **PESCA4CO**



The Stainless steel frame can receive up to 4 Pescavision 10 - 30 or 50 counters with the reception hopper and the centralizer box.



The trolley is easy to move by one person only (on flat ground).

We have developed 2 stainless steel Trolleys, adapted to the above-ground raceways in hatcheries or in RAS. These Trolleys can support the full range of FAIVRE's graders.

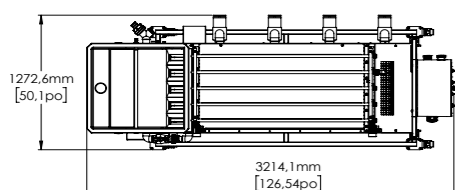
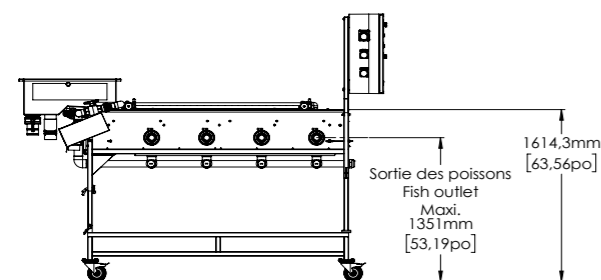
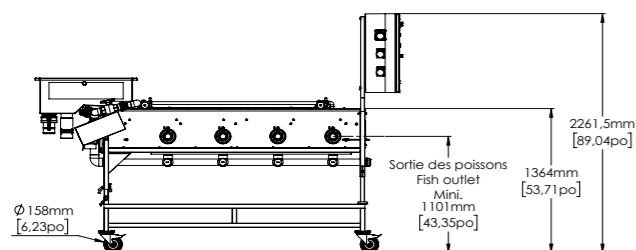
These Trolleys allow a sufficient elevation of the graders outputs to be able to place a counter above-ground

2 models are manufactured:

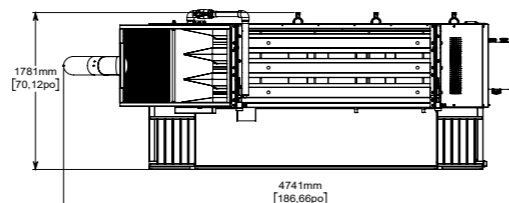
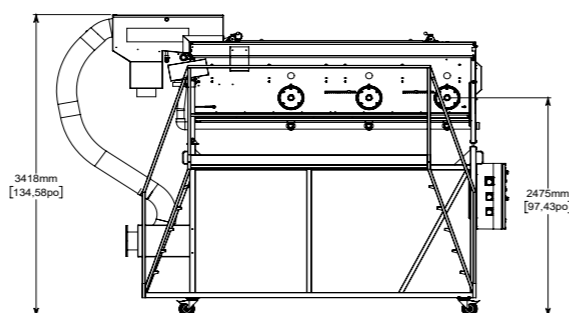
- Trolley for Helios 10 grader Ref. : **TRSTD02**
- Trolley for Helios 50 grader Ref. : **TRSTD01**



Trolley for Helios 10



Trolley for Helios 50



PVC connecting pieces

Each counter must be connected to the grader with a flexible or rigid pvc pipe. For this, we have a complete range of specific sleeves to connect the counters to each FAIVRE's graders.

- PVC fitting to connect a Pescavision 10 counter to the outlet of a Helios 10 grader Ref. : **TH000522V**
- PVC fitting to connect a Pescavision 10 counter to the outlet of a Helios 25 grader Ref. : **TH000524**
- PVC fitting to connect a Pescavision 10 counter to the outlet of a Helios 30 grader Ref. : **TH000522**
- PVC fitting to connect a Pescavision 10 counter to the outlet of a Helios 40 or 400 grader Ref. : **TH000521**
- PVC fitting to connect a Pescavision 10 counter to the outlet of a Helios 50 or 60 grader Ref. : **TH000519**
- PVC fitting to connect a Pescavision 10 counter to the outlet of a Helios 600 grader Ref. : **TH000517**
- PVC fitting to connect a Pescavision 30 counter to the outlet of a Helios 10 grader Ref. : **TH000522**
- PVC fitting to connect a Pescavision 30 counter to the outlet of a Helios 25 grader Ref. : **TH000523**
- PVC fitting to connect a Pescavision 30 counter to the outlet of a Helios 30 grader Ref. : **TH000513M**
- PVC fitting to connect a Pescavision 30 counter to the outlet of a Helios 40 or 400 grader Ref. : **TH000520**
- PVC fitting to connect a Pescavision 30 counter to the outlet of a Helios 50 or 60 grader Ref. : **TH000518**
- PVC fitting to connect a Pescavision 30 counter to the outlet of a Helios 600 grader Ref. : **TH000516**
- PVC fitting to connect a Pescavision 50 counter to the outlet of a Helios 25 grader Ref. : **24175C**
- PVC fitting to connect a Pescavision 50 counter to the outlet of a Helios 30 grader Ref. : **TH000520**
- PVC fitting to connect a Pescavision 50 counter to the outlet of a Helios 40 or 400 grader Ref. : **TH000512L**
- PVC fitting to connect a Pescavision 50 counter to the outlet of a Helios 50 or 60 grader Ref. : **TH000514**
- PVC fitting to connect a Pescavision 50 counter to the outlet of a Helios 600 grader Ref. : **TH000515**



Flexible pipe

A hose is essential for the safe transport of the fish.. Poor quality hoses may not be suitable to be used with our fish pumps.

Our hoses have been tested for months with the FAIVRE's pumps. The quality allows an intensive use of the hoses on our equipment.

FLEXIBLE HOSE (suction and discharge without cam-lock)

Standard pipe

- 2,5" (63mm) Flexible hose (10 meters roll mini) Ref. : **63L10**
- 4" (102mm) Flexible hose (10 meters roll mini) Ref. : **100L10**
- 6" (152mm) Flexible hose (5 meters unit) Ref. : **152L05**
- 6" (152mm) Flexible hose (10 meters unit) Ref. : **152L10**
- 8" (152mm) Flexible hose (5 meters unit) Ref. : **203L05**
- 10" (152mm) Flexible hose (5 meters unit) Ref. : **253L05**

EXTRA LENGTH FOR FISH PUMP (suction and discharge with cam lock male and female included)

2,5" Flexible hose:

- 5 m Ref. : **PP0203FM**
- 10 m Ref. : **PP0204FM**

4" Flexible hose:

- 5 m Ref. : **PP0403FM**
- 10 m Ref. : **PP0404FM**

6" Flexible hose:

- 5 m Ref. : **PP0603FM**
- 10 m Ref. : **PP0604FM**

8" Flexible hose :

- 5 m Ref. : **PP0803FM**

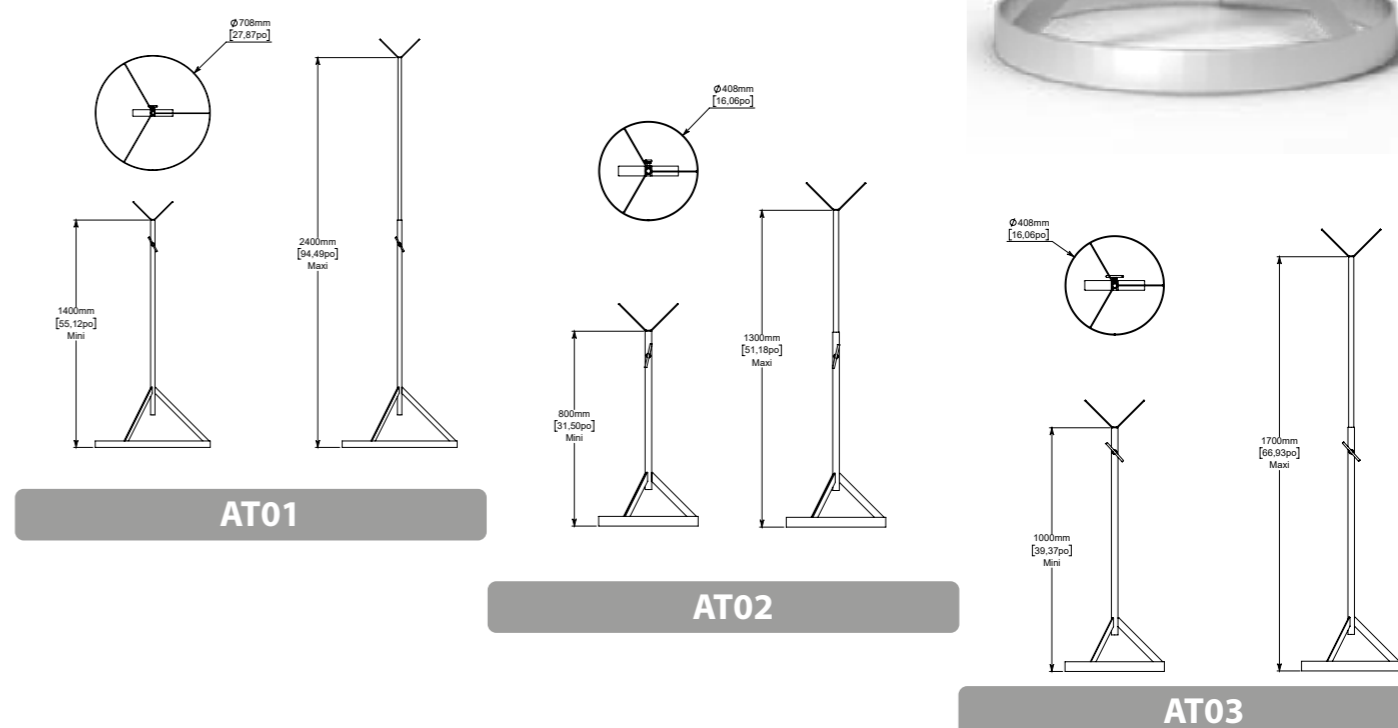
10" Flexible hose :

- 5 m Ref. : **PP1005**



Stainless steel adjustable hose support

- Stainless steel adjustable hose support from 1400 to 2400mm Ref. : **AT01**
- Stainless steel adjustable hose support from 800 to 1300mm Ref. : **AT02**
- Stainless steel adjustable hose support from 1000 to 1700mm Ref. : **AT03**





New catalog water management 2023. With this new catalog we are glad to introduce our new Spiderplate and Smart Filter control box.

FAIVRE Company is not only specialized in the conception of machines for fish farming (fish graders, fish counters, fish pumps). Indeed, FAIVRE also designs machines for water treatment, with the production of drum filters, leaf screeners and aerators as well. Our machines are well known for their reliability and quality since 1958.

● Drum filter



● 3 models



● Filter with tank



● Filter with frame



● Filter with input by pipe

Filters with tanks and pipe inlets are equipped with an internal safety overflow (weir)

● Aerators



Find all these equipment in our water management catalog.





FAIVRE

**DESIGNER & MANUFACTURER OF
FISH FARMING EQUIPMENT**
www.faivregroup.com