

HELIOS

Live fish grader

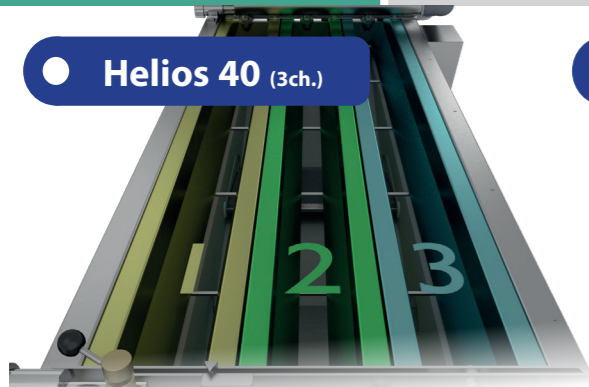


• Helios 40

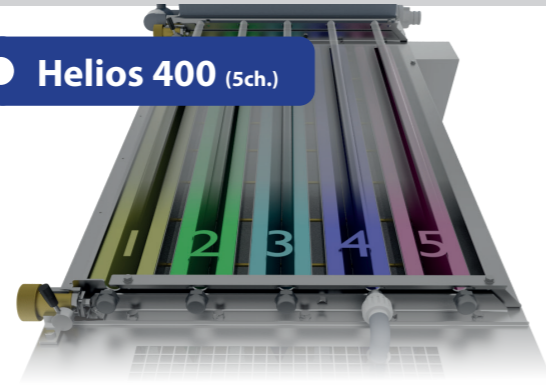


• Helios 400

Helios 40 (3ch.)



Helios 400 (5ch.)



HELIOS 40 - 400 grader

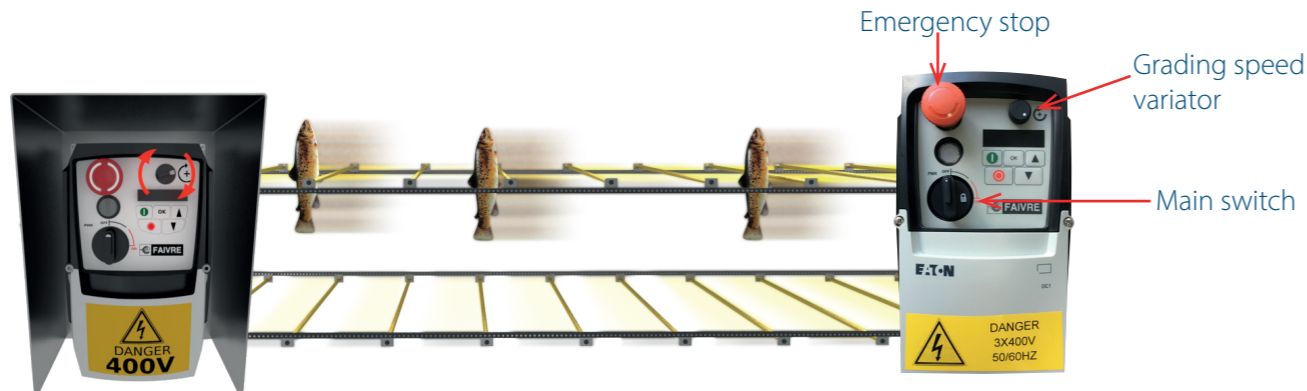
5g - 1,5 kg
3 or 5 channels
4 sizes

General characteristics :

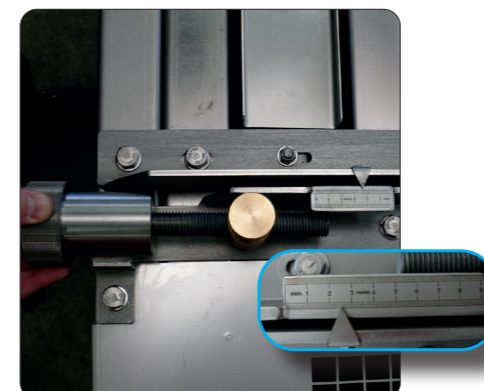
- 3 grading channels Helios 40.
- 5 grading channels Helios 400.
- 4 receipt hoppers with outlet on each side of the machine.
- Electronic adjustable grading speed
- Lifting jack.
- Made of aluminium AISI 316L Stainless steel.

Main advantages :

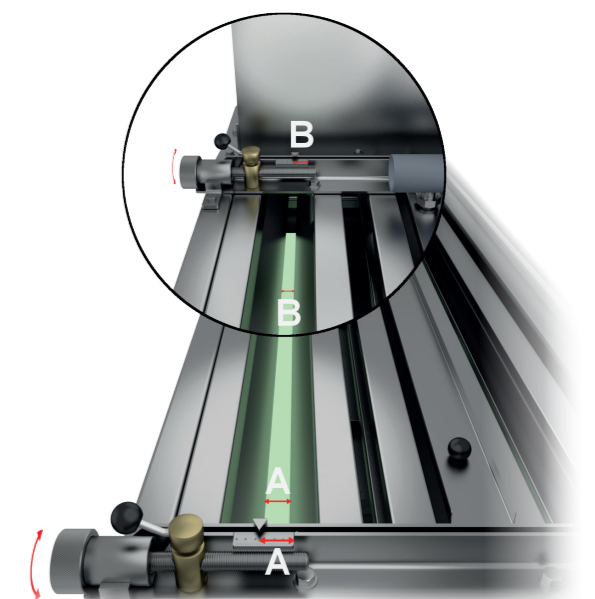
- ✓ A grader fitted with the performing Sps Technology made for a high speed
- ✓ grading and without injury.
- ✓ A machine entirely made of aluminium and Stainless steel.
- ✓ An easy and perfect adjustment thanks to its lifting jack.
- ✓ An elaborate watering system fitted with adjustment gates.

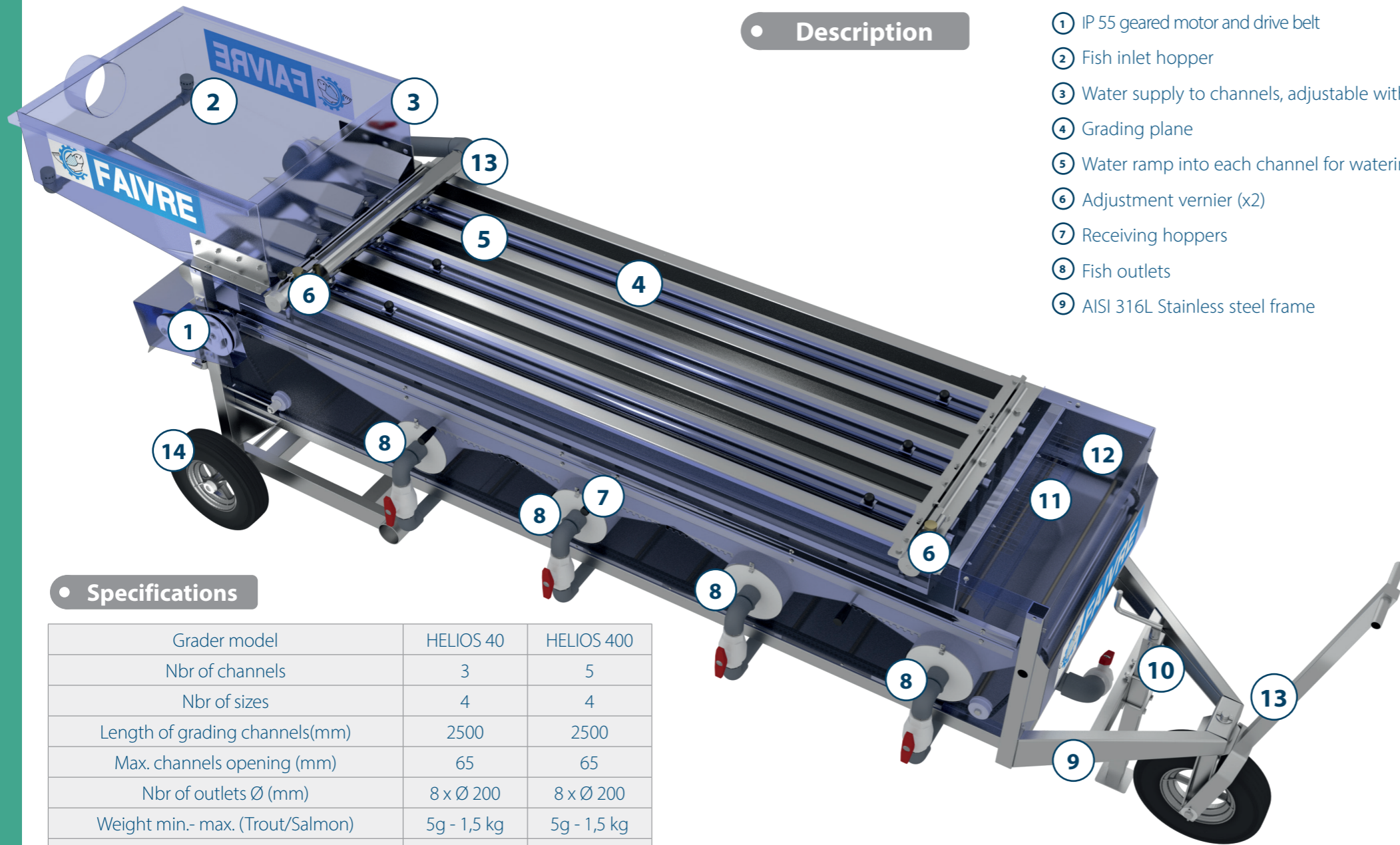


Fish grader IP 67 electric panel.



Accurate adjustment vernier.





Description

- ① IP 55 geared motor and drive belt
- ② Fish inlet hopper
- ③ Water supply to channels, adjustable with a valve
- ④ Grading plane
- ⑤ Water ramp into each channel for watering fish
- ⑥ Adjustment vernier (x2)
- ⑦ Receiving hoppers
- ⑧ Fish outlets
- ⑨ AISI 316L Stainless steel frame
- ⑩ Front lifting jack
- ⑪ Stainless steel conveying finger drive chain
- ⑫ Fish conveying fingers
- ⑬ Towbar
- ⑭ Inflatable tires Ø 400 mm (16in)

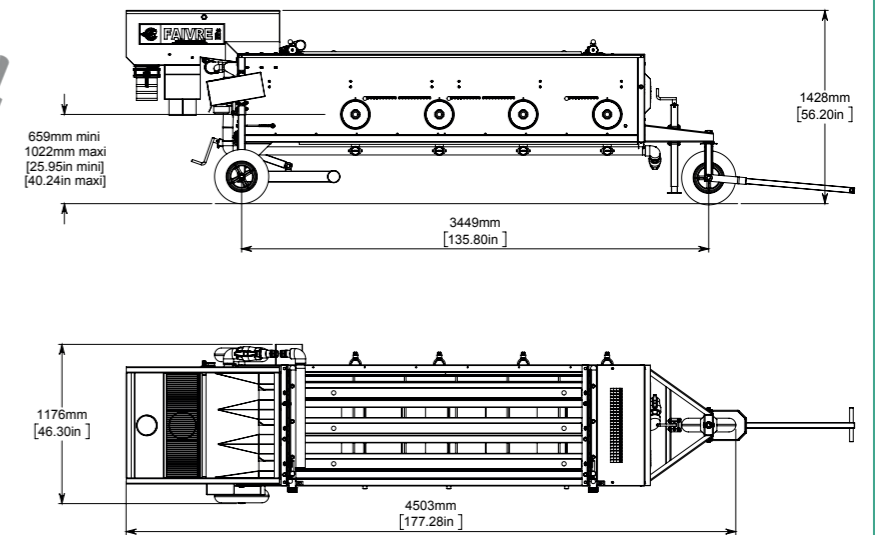
Specifications

Grader model	HELIOS 40	HELIOS 400
Nbr of channels	3	5
Nbr of sizes	4	4
Length of grading channels(mm)	2500	2500
Max. channels opening (mm)	65	65
Nbr of outlets Ø (mm)	8 x Ø 200	8 x Ø 200
Weight min.- max. (Trout/Salmon)	5g - 1,5 kg	5g - 1,5 kg
Weight min. - max. (Bass/Bream/Tilapia)	5 g - 800 g	5 g - 800 g
Hourly rate (tonnes/hour)	3 - 5	4 - 6
Grader weight (kg)	480	520
Height (m)	1,4	1,5
Motor power	0,37 kW	0,55 kW
Advice pump flow (m3/h)	40	50
Reference (Sea water 316L)	TH4036	TH4056

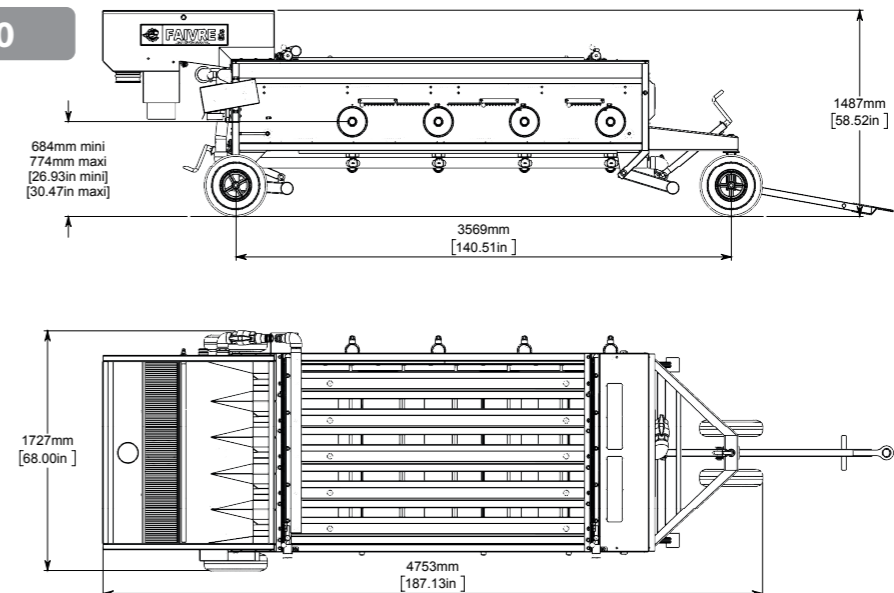
The grader motors are available in 4 supply voltages (add the desired voltage reference to the grader reference for your requests):

- Three phases 342 - 528 V 50/60 Hz Ref. : **400T**
- Three phases 180 - 264 V 50/60 Hz Ref. : **230T**
- Single phase 180 - 264 V 50/60 Hz Ref. : **230M**
- Single phase 110 V 50/60 Hz Ref. : **110M**

Helios 40



Helios 400



• **OPTIONS**

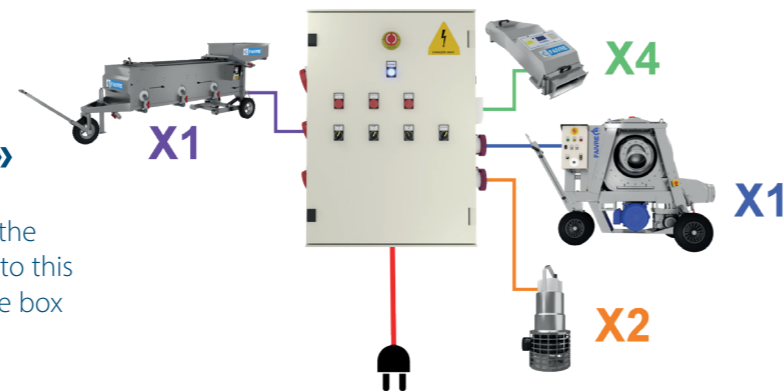
Control box «Packcontrol»

This option considerably reduces the cables left on the ground. Each equipment can be directly connected to this electrical cabinet, which is attached to the sorter. The box allows you to connect and control:

- 1 grader
- 2 water pumps
- 1 fish pump
- 4 counters.

The front panel switches allow each device to be turned on or turned off separately. Thermal circuit breakers ensure the protection of each piece of equipment. A differential switch protects the operators.

- Ref. :
- 3 x 342 - 525V 50/60 Hz inlet voltage Ref. : **THC0024**
 - 3 x 164 - 264V 50/60 Hz inlet voltage Ref. : **THC0022**
 - 1 x 230v 50/60 Hz inlet voltage Ref. : **THC004***
- * water pump max. 2,2kW with a single phase



Universal dewatering hopper

This universal dewatering hopper allows you to connect a Pescavac pump or an elevator or a Pescamotion pump.

- For Helios 40 grader :
- Ø fish pump pipe 8"
- Ref. : **TH403DEWU**

- For Helios 400 grader :
- Ø fish pump pipe 8"
- Ref. : **TH405DEWU**



Water pump for grader

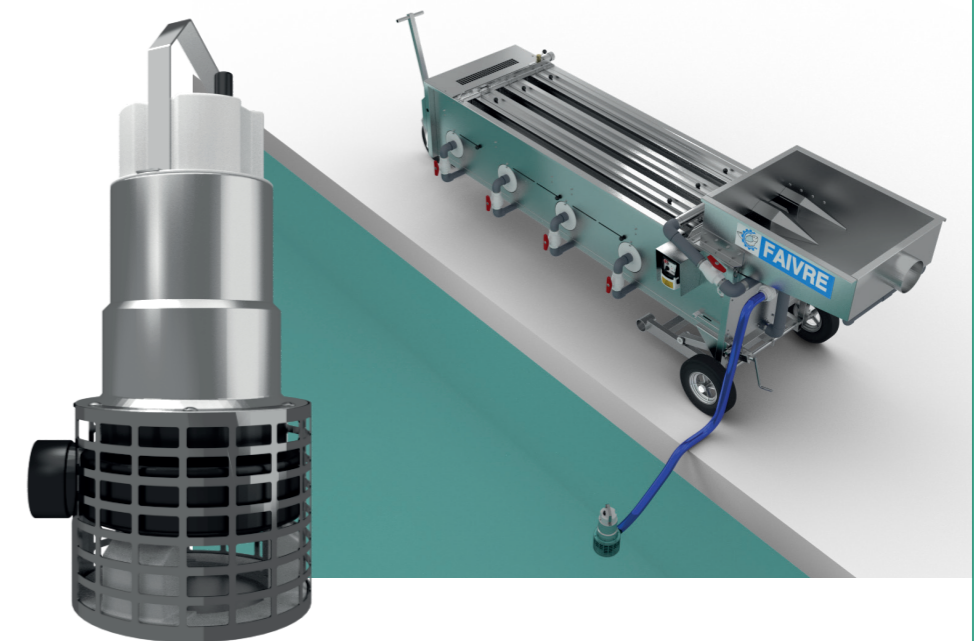
A suitable water pump must be connected to the grader in order to grade the fish without damage. We can offer you a Stainless steel submersible pump adapted to your machine. This pump has a Stainless steel strainer to suck the fish, it is delivered with 2.5m flexible hose and fittings, adapted to the grader.

- For Helios 40 grader
- Pump flow 40 m³/h supply voltage 1 x 230 V 50 Hz Ref. : **TPOW4016M5**
 - Pump flow 40 m³/h supply voltage 3 x 400 V 50 Hz Ref. : **TPOW4016T5**

- For Helios 400 grader
- Pump flow 50 m³/h supply voltage 3 x 400 V 50 Hz Ref. : **TPOW5016T5**

- Accessories
- 5 m flexible hose Ø 60 mm (2,5 ") and storz fitting plus 90 ° Stainless steel elbow to connect the pump to the grader Ref. : **TPOHLINK60**

60 Hz pump on request



Adapters :

The inlet of the dewatering hopper of the graders is an 8" (200 mm) male cam lock. If you want to connect a 6" or 10" hose to this hopper, you need an adapter.

- To connect a 6" (150 mm) pipe to the dewatering hopper Helios 40 - 400
- 8" female to 6" male aluminum reduction Ref. : **PH061111**

- To connect a 10" (250mm) pipe to the dewatering hopper Helios 40 - 400
- 10" female to 8" male aluminum reduction Ref. : **P1100101**

