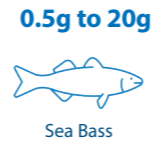
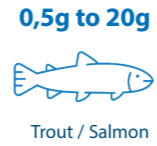


Transfer counting Pack

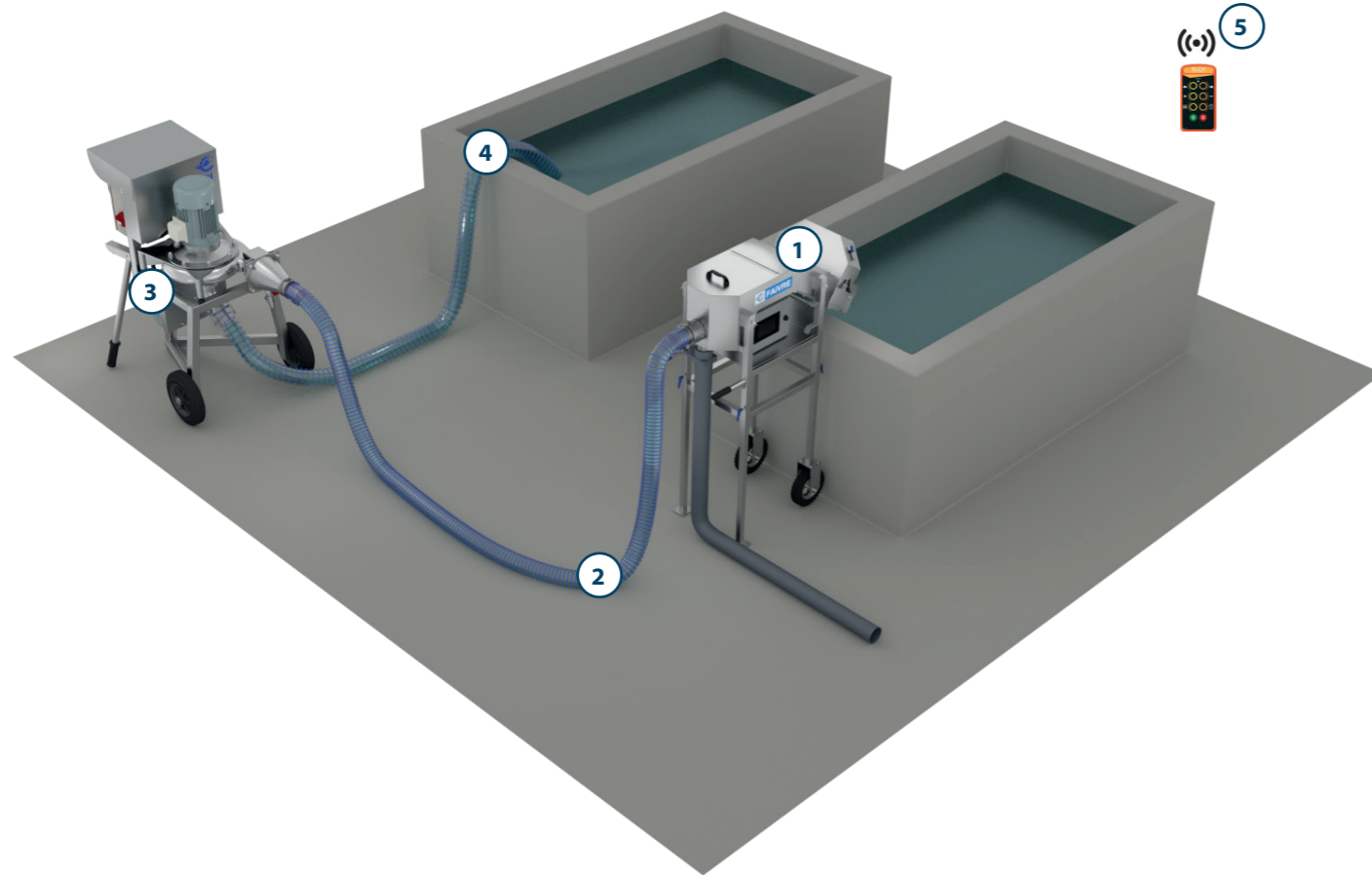
Up to 600 000 fishes/hour (0,5 g)
 - 1 Pescamotion 10 fish pump 2,5" (0,5 - 40 g)
 - 2 x 5 m flexible pipes Ø 63 mm (2,5")
 - 1 Pescasight 100 fish counter (0,2 g - 20 g)

Fresh and Sea water pack
 Ref. : **NPTL1**



Pescasight
 Camera fish counter

PESCAMOTION
 Propeller fish pump



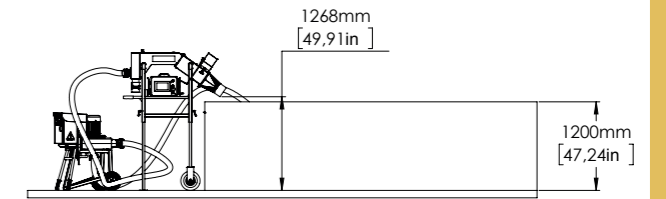
- ① Pescasight 100 fish counter
- ② 5 m discharge flexible pipes Ø 60 mm (2,5 in)
- ③ Fish pump Pescamotion 10 (Ø 63mm - 2,5 in)
- ④ 5 m suction flexible pipes Ø 63 mm (2,5 in)
- ⑤ Fish pump remote control (optional)

• **Pescasight 100**



• **Specifications**

Fish counter model	PESCASIGHT 100	
Fish species	Trout Salmon	Bass/Bream/Tilapia/Carps/Perch
Fish weight	0,2 g to 20 g	0,2 g to 20 g
Hourly flow (maxi) with 0,5 g fish	650 000 fish/h	650 000 fish/h
Hourly flow (maxi) with 1 g fish	350 000 fish/h	350 000 fish/h
Number of channels	1	1
Channel width	400 mm	400 mm
Connection diameter	125 mm	125 mm
Accuracy	98% - 100%	98% - 100%
Voltage 50/60 Hz	100 - 240 V Single phase	
Reference (Fresh and sea water)	PSIG100	

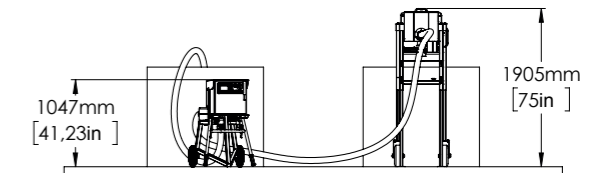
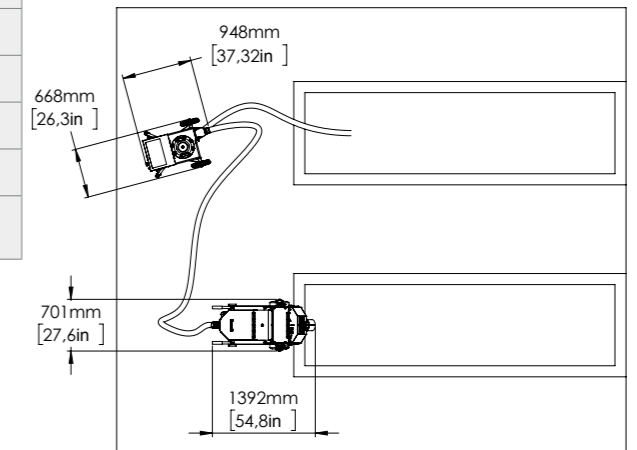


• **Pescamotion 10**



• **Specifications**

Fish pump model	PESCAMOTION 10
Main drive control	Frequency variator
Prime drive motor	0,3 kW
Inlet Ø	(60 mm) 2,5" male cam lock
Outlet Ø	(60 mm) 2,5" male cam lock
Total dynamic head	12 m - 40 ft (6 m suction and 6 m discharge)
Fish weight max. (Trout/Salmon)	40 g
Water flow	45 m ³ /h - 198 gpm
Reference (Fresh and sea water)	PH0202



• **Power ratings and weights summary**

Machines	Power	Weight
Fish pump Pescamotion 10	1,5 kW	92 kg - 202 lbs
Fish counter Pescasight 100	0,1 kW	75 kg - 53 lbs

All packs are given as an example and can be modified according to the customer needs