

## High capacity Grading pack

### High capacity Pack

Up to 4 to 6 tons/hour

4 sizes :

- 1 Pescamotion 40 fish pump (up to 1,5kg)
- 1 Helios grader 400 (5g -1,5 kg) / 5 channels
- 1 Water pump 50m3/h
- 1 Control box
- 2 Pescavision 30 Fish counters (40g - 1kg)
- 2 Pescavision 50 Fish counters (500g - 4,5kg)
- 4 Reception tanks

Fresh and Sea water pack  
Ref. : **GPHC4**

40g to 1,5 kg



Trout / Salmon

40g to 800g



Tilapia

40g to 800g



Sea Bream

40g to 800g



Sea Bass

**PESCAVISION**  
Led fish counter

**HELIOS**  
Live fish grader

**PESCAMOTION**  
Propeller fish pump

#### Pescamotion 40



#### Specifications

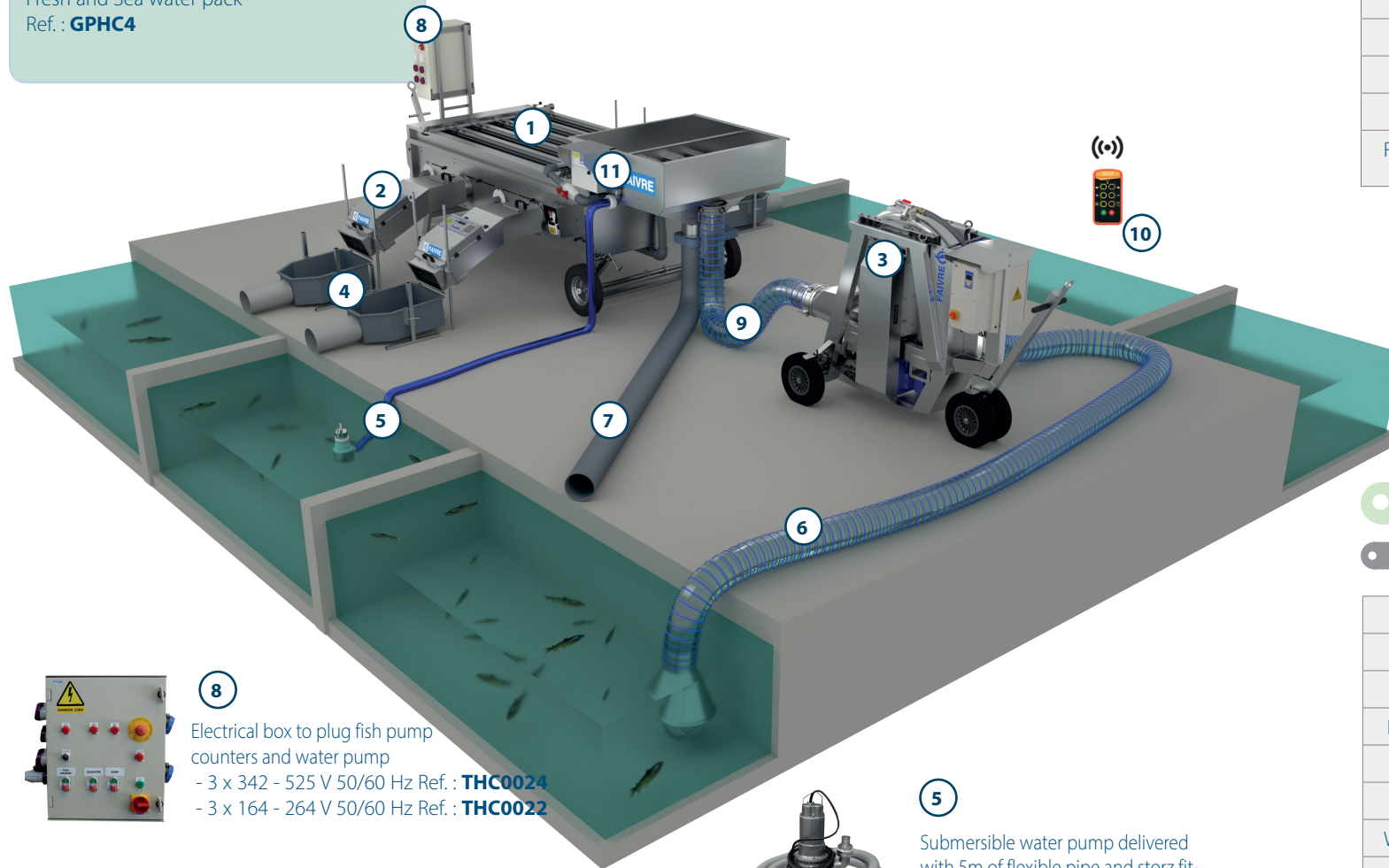
Fish pump model	PESCAMOTION 40
Prime control	Frequency variator
Prime drive motor	0.75 kW 400 V 3ph 50 Hz
Inlet Ø	(203mm) 8 in male camlock
Outlet Ø	(203mm) 8 in male camlock
Total dynamic head	14 m - 46 ft (3 m suction and 11 m discharge)
Fish weight	up to 1500 g Trout/Salmon
Pump speed	100 to 390 rpm
Water flow	380 m <sup>3</sup> /h - 1673 gpm
Reference (Fresh and sea water)	<b>PH0802</b>

#### Pescavision 40



#### Specifications

Fish counter model	PESCAVISION 40	
Fish species	Trout Salmon	Bass/Bream/Tilapia
Fish weight	50 g to 1,5 kg	50 g to 600g
Capacity (maxi)	3t/h	
Number of channels	3	
Channel width	135 mm	
Connection diameter	200 mm	
Accuracy	98 % - 100 %	
Weight	25 kg - 55 lbs	
Voltage 50/60 Hz	Delivery with 110 - 240 V/24 V power supply	
Reference (Fresh and sea water)	<b>PESCA40</b>	



8 Electrical box to plug fish pump counters and water pump  
- 3 x 342 - 525 V 50/60 Hz Ref. : **THC0024**  
- 3 x 164 - 264 V 50/60 Hz Ref. : **THC0022**



5 Submersible water pump delivered with 5m of flexible pipe and storz fittings to plug at the grader  
Ref. (Sea water 316L) : **TPOW50I6T5**

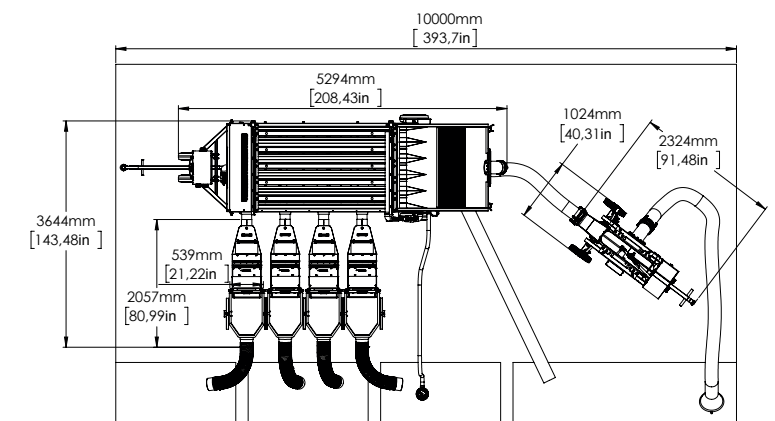
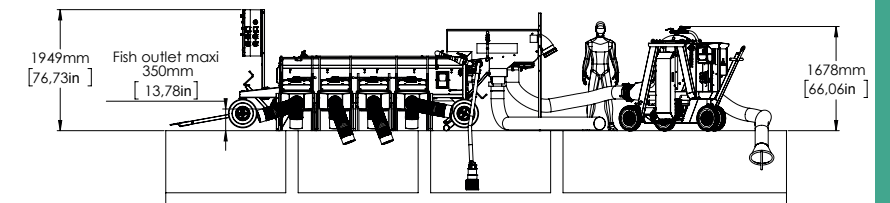
- 1 Helios 400 fish grader
- 2 Pescavision 40 fish counters
- 3 Fish pump Pescamotion 40 (Ø 200mm - 8 in)
- 4 Reception tanks outlet Ø 200 mm
- 5 Submersible water pump 50 m3/h
- 6 5 m suction flexible pipes Ø 200 mm (8 in)
- 7 5 m dewatering pipes Ø 200 mm (8 in)
- 8 Control box
- 9 5 m discharge flexible pipes Ø 200 mm (8 in)
- 10 Fish pump Remote control 1 Counting station (Option)
- 11 Counting station (optional)

#### Helios 400



#### Specifications

Grader model	HELIOS 400
Nbr of channels	5
Nbr of size	4
Length of grading channels(mm)	2500
Max. channels opening (mm)	65
Nbr of outlets Ø (mm)	8xØ 200
Weight min. - max. Trout/Salmon	5 g - 1,5 kg
Weight min. - max. Bass/Bream/Tilapia/Carp	5 g - 800 g
Hourly rate (tons/hour)	4 - 6
Height (m)	1,3
Advice pump flow (m3/h)	50
Reference (Sea water 316L)	<b>TH4056</b>



#### Power ratings and weights summary

Machines	Power	Weight
Helios fish grader 400	0,37 kW	520 kg - 1146 lbs
Fish pump Pescamotion 40	11 kW	502 kg - 1100 lbs
Fish counter (one unit)	0,05 kW	24 kg - 53 lbs
Water pump 50 m <sup>3</sup> /h	2,2 kW	30 kg - 66 lbs