

Standard Pack

Up to 3 to 4 tons/hour

4 sizes :

- 1 Pescamotion 40 fish pump (up to 1,5kg)
- 1 Helios grader 40 (5g - 1,5 kg) / 3 channels
- 1 Water pump 40m³/h
- 1 Control box
- 2 Pescavision 30 Fish counters (40g - 1kg)
- 2 Pescavision 50 fish counters (400g-4,5kg)
- 4 Reception tanks

Fresh and Sea water pack
Ref. : **GPST4**

40g to 1,5 kg



Trout / Salmon

40g to 800g



Tilapia

40g to 800g

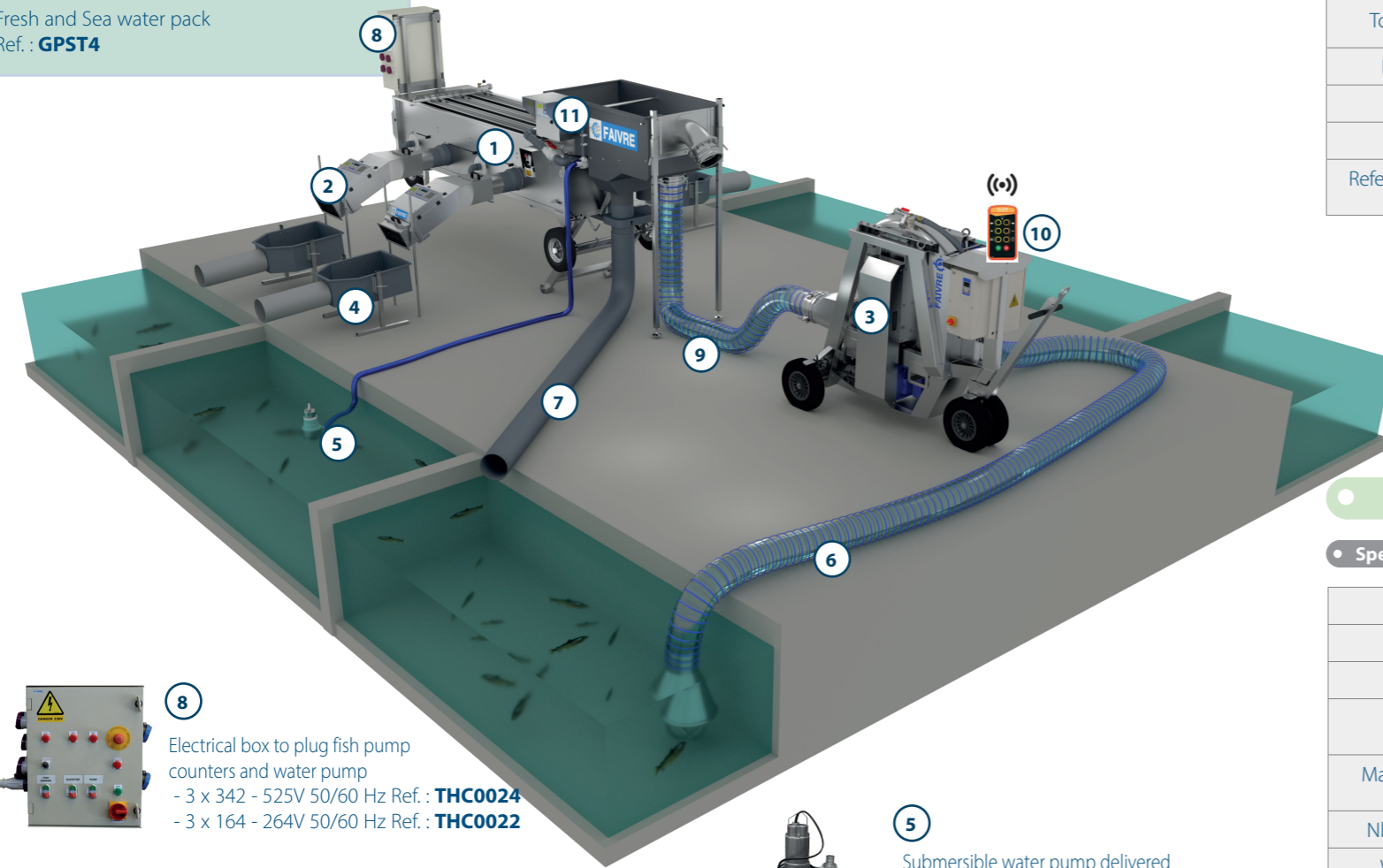


Sea Bream

40g to 800g



Sea Bass



8 Electrical box to plug fish pump counters and water pump
- 3 x 342 - 525V 50/60 Hz Ref. : **THC0024**
- 3 x 164 - 264V 50/60 Hz Ref. : **THC0022**



5 Submersible water pump delivered with 5m of flexible pipe and storz fittings to plug at the grader
Ref. (Sea water 316L) : **TPOW40I6T5**

- 1 Helios 40 fish grader
- 2 Pescavision 40 fish counters
- 3 Fish pump Pescamotion 40 (Ø 200mm - 8 in)
- 4 Reception tanks outlet Ø 200 mm
- 5 Submersible water pump 40 m³/h
- 6 5 m suction flexible pipes Ø 200 mm (8 in)
- 7 5 m dewatering pipes Ø 200 mm (8 in)
- 8 Control box
- 9 5 m discharge flexible pipes Ø 200 mm (8 in)
- 10 Fish pump Remote control 1 Counting station (Option)
- 11 Counting station (optional)

Pescamotion 40



Specifications

Fish pump model	PESCAMOTION 40
Prime control	Frequency variator
Prime drive motor	1,1 kW 400 V 3ph 50 Hz
Inlet Ø	(203mm) 8 in male camlock
Outlet Ø	(203mm) 8 in male camlock
Total dynamic head	14 m - 46 ft (3 m suction and 11 m discharge)
Fish weight max.	1500 g Trout/Salmon
Pump speed	100 to 390 rpm
Water flow	380 m ³ /h - 1673 gpm
Reference (Fresh and sea water)	PH0802

Pescavision 40



Specifications

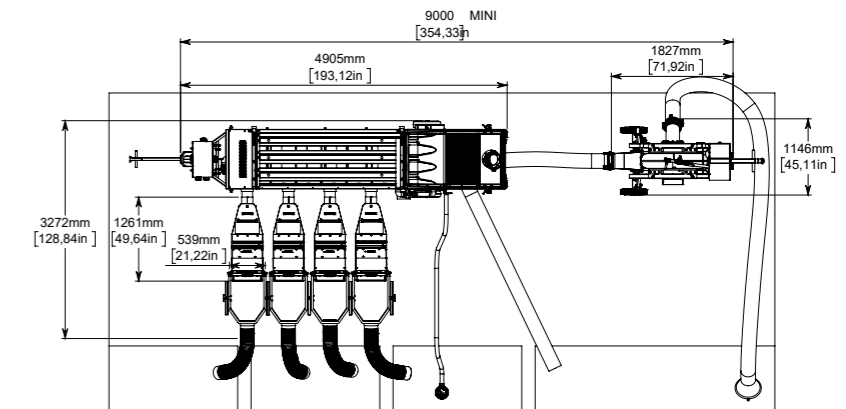
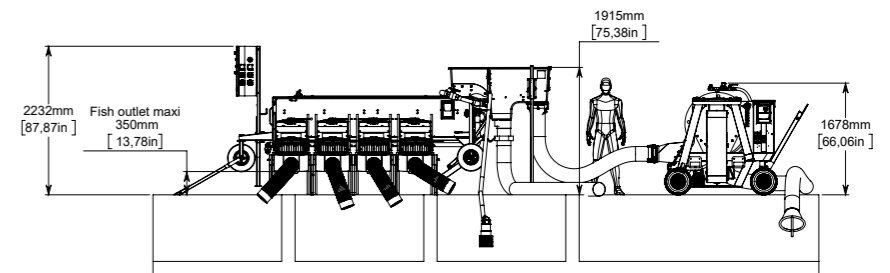
Fish counter model	PESCAVISION 40	
Fish species	Trout Salmon	Bass/Bream/Tilapia
Fish weight	50 g to 1,5 kg	50 g to 600g
Capacity (maxi)	3t/h	
Number of channels	3	
Channel width	135 mm	
Connection diameter	200 mm	
Accuracy	98 % - 100 %	
Weight	25 kg - 55 lbs	
Voltage 50/60 Hz	Delivery with 110 - 240 V/24 V power supply	
Reference (Fresh and sea water)	PESCA40	

Helios 40



Specifications

Grader model	HELIOS 40
Nbr of channels	3
Nbr of size	4
Length of grading channels(mm)	2500
Max. channels opening (mm)	65
Nbr of outlets Ø (mm)	8 x Ø 200
Weight min. - max. (Trout/Salmon)	5 g - 1,5 kg
Weight min. - max. (Bass/Bream/Tilapia)	5 g - 800 g
Hourly rate (tons/hour)	3 - 4
Height (m)	1,3
Advice pump flow (m ³ /h)	40
Reference (Sea water 316L)	TH4036



Power ratings and weights summary

Machines	Power	Weight
Helios fish grader 40	0,37 kW	480 kg - 1058 lbs
Fish pump Pescamotion 40	11 kW	502 kg - 1100 lbs
Fish counter (one unit)	0,05 kW	24 kg - 53 lbs
Water pump 40m ³ /h	1,1 kW	30 kg - 66 lbs

All packs are given as an example and can be modified according to the customer needs