

Standard pack

Up to 3 to 4 tons/hour

3 sizes :

- 1 Pescavac 50 fish pump (up to 3,5 kg)
- 1 Helios 50 grader (10 g - 2,5 kg) / 3 channels
- 1 Water pump 50 m³/h
- 1 Control box
- 3 Pescavision 50 fish counters (400 g- 4,5 kg)
- 3 Reception tanks

Fresh and Sea water pack
Ref. : **HPST5**

50g to 2,5kg

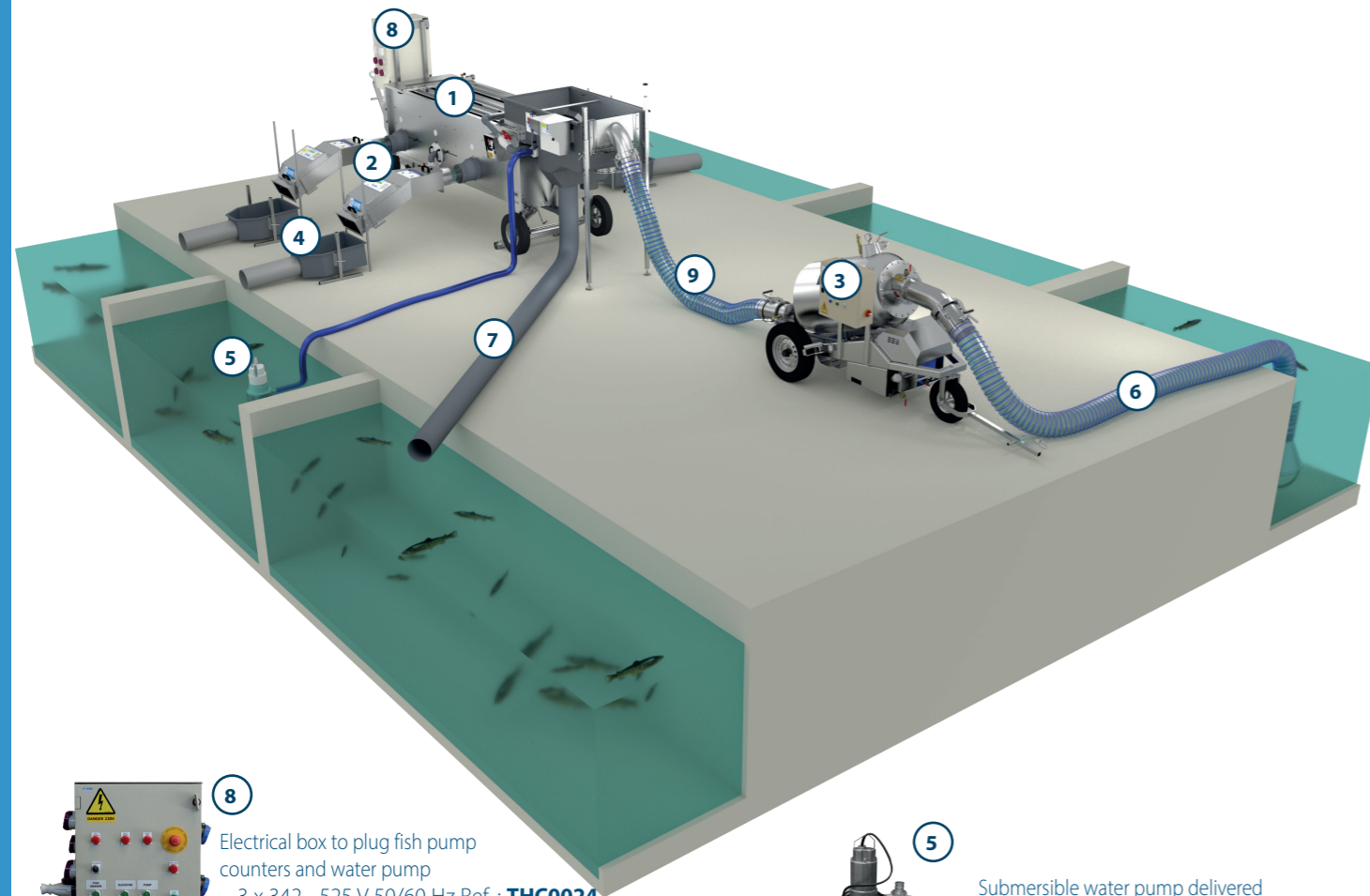


Trout / Salmon

50g to 1 kg



Tilapia



8 Electrical box to plug fish pump counters and water pump
- 3 x 342 - 525 V 50/60 Hz Ref. : **THC0024**
- 3 x 164 - 264 V 50/60 Hz Ref. : **THC0022**



5 Submersible water pump delivered with 5m of flexible pipe and storz fittings to plug at the grader
Ref. (Sea water 316L) : **TPOW50I6T5**

- 1 Helios fish grader 50
- 2 Pescavision 50 fish counters
- 3 Fish pump Pescavac 50 (Ø 200mm - 8 in)
- 4 4 Reception tanks outlet Ø 250 mm
- 5 Submersible water pump 50 m³/h
- 6 5 m suction flexible pipes Ø 200mm (8 in)
- 7 5 m dewatering pipes Ø 200 mm (8 in)
- 8 Grader Control box
- 9 5 m discharge flexible pipes Ø 200 mm (8 in)

Pescavac 50



Specifications

Fish pump model	PESCAVAC 50
Inlet Ø	(200 mm) 8" female cam - lock
Outlet Ø	(200 mm) 8" male cam - lock
Maximum discharge head	5 m (196 in)
Maximum suction head	4 m (157 in)
Fish size	Up to 3,5kg Trout/Salmon
Fish size	Up to 1kg Tilapias
Stainless steel quality	AISI 316L
Reference (Fresh and sea water)	PV0801

Pescavision 50



Specifications

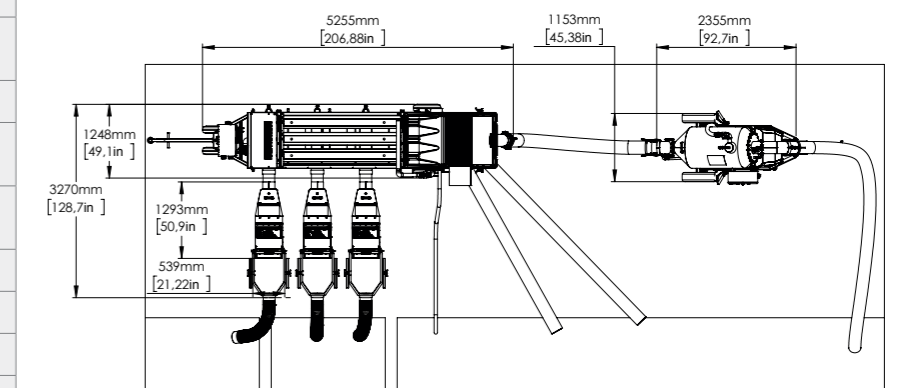
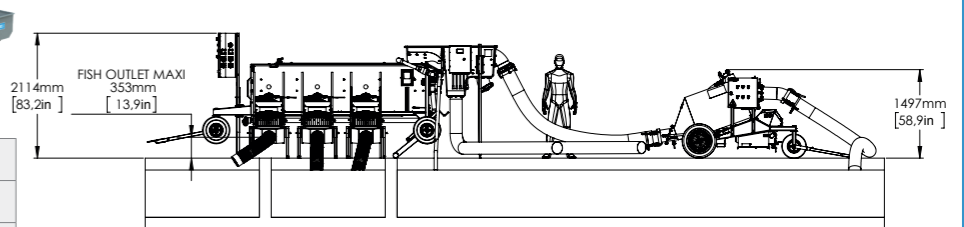
Fish counter model	PESCAVISION 50	
Fish species	Trout Salmon	Bass/Bream/Tilapia
Fish weight	300g to 3,5 kg	400 g to 1,5kg
Capacity (maxi)	4 t/h	4 t/h
Number of channels	2	2
Channel width	200 mm	200 mm
Connection diameter	200 mm	200 mm
Accuracy	98% - 100%	98% - 100%
Voltage	100 - 240V / 24 V	
Reference (Fresh and sea water)	PESCA50	

Helios 50



Specifications

Grader model	HELIOS 50
Nbr of channels	3
Nbr of size	3
Length of grading channels (mm)	2500
Max. channels opening (mm)	80
Nbr of outlets Ø (mm)	6 x Ø 250
Weight min. - max. Trout/Salmon	50 g - 2,5 kg
Weight min. - max. Tilapia	50 g - 1 kg
Hourly rate (tons/hour)	3 - 6
Grader weight (kg)	500
Height (m)	1,5
Advice pump flow (m ³ /h)	50
Reference (Sea water 316L)	TH5036



Power ratings and weights summary

Machines	Power	Weight
Helios fish grader 50	0,55 kW	500 kg - 1102 lbs
Fish pump Pescavac 50	5,3 kW	440 kg - 970 lbs
Fish counter (one unit)	0,05 kW	24 kg - 53 lbs
Water pump 50 m ³ /h	2,2 kW	30 kg - 66 lbs

All packs are given as an example and can be modified according to the customer needs